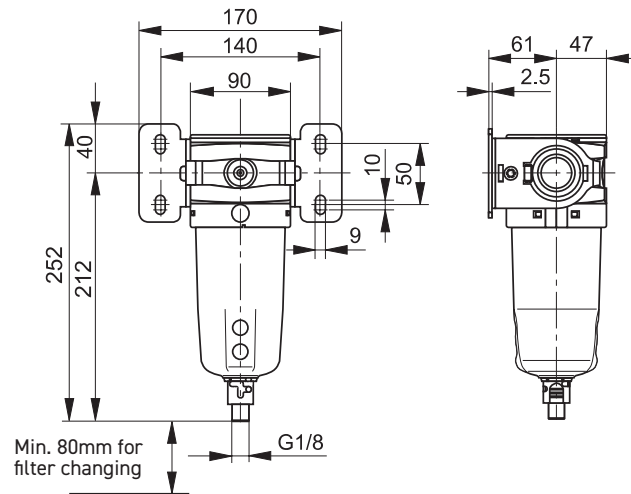


Technical Information

Fluid:	Compressed air
Maximum inlet pressure*:	17.5 bar
Temperature range*:	
Auto drain :	-10°C to +60°C
Combined drain :	-40°C to +60°C
Particle removal:	5 & 30 micron
Typical flow with 30µm element 6,3 bar inlet pressure and 0.5 bar pressure drop:	119 dm ³ /s
Manual/Semi-auto drain:	Closed at 0.8 bar G1/8 thread
Auto drain:	
bowl pressure to close drain	0.8 bar
Operating range	0.8 to 17.5 bar
manual override facility (depress pin)	∅ 10mm brass connection
Bowl sump capacity:	130 cm ³

* Air supply must be dry enough to avoid ice formation at temperatures below +2°C

Dimensions (mm)



Service kits

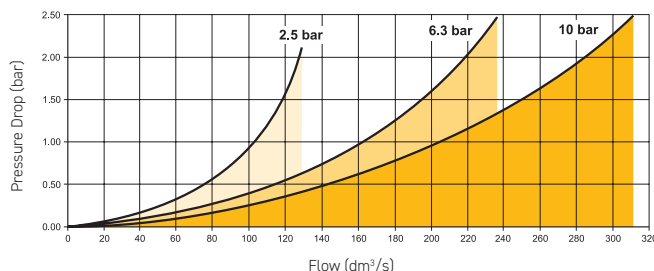
Description	Order code
5 micron element kit	P3YKA00ESE
30 micron element kit	P3YKA00ESG
Bowl kit with combined manual/semi auto drain	P3YKA00BSC
Bowl kit with auto drain	P3YKA00BSA

Material Specification

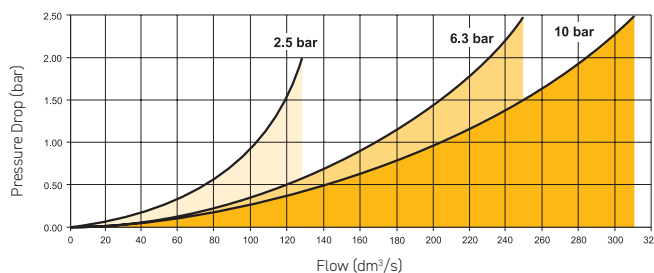
Body:	Aluminium
Sight glass:	Polypropylene
Body cover:	ABS
Element:	Sintered P.E.
Seals:	Nitrile NBR
Drains:	Manual / Semi-auto: Acetal
	Automatic: PA / Brass connection

Flow characteristics

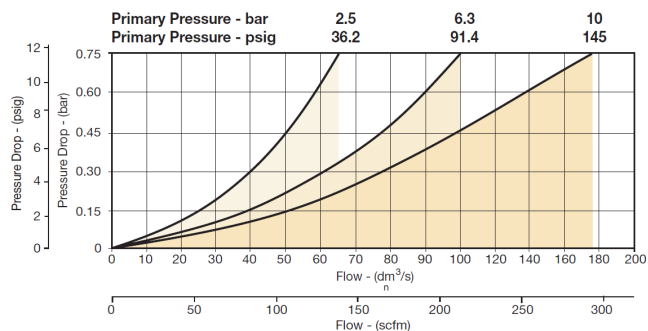
(3/4") 30 Micron Filter



(1") 30 Micron Filter



(3/4") 5 Micron Filter



(1") 5 Micron Filter

