



Spin-on Air breathers

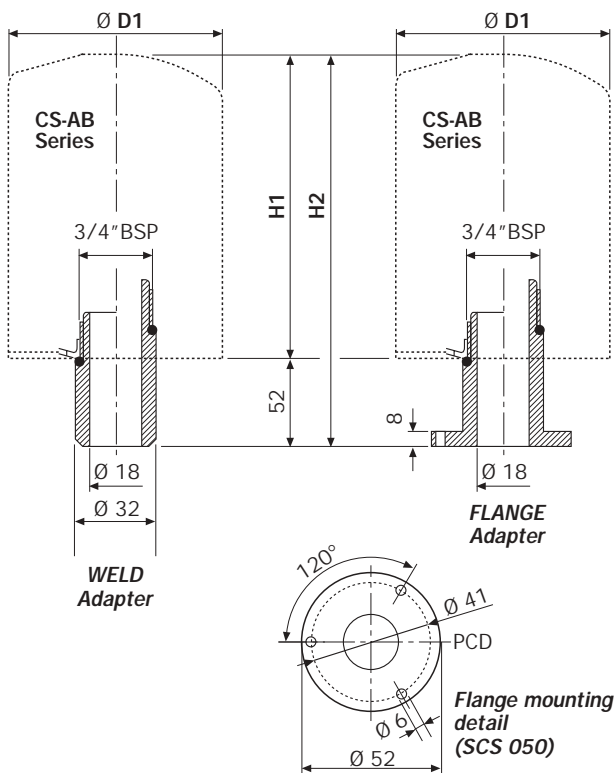
To compliment our range of screw-in air breathers, we have produced the CS-AB range.

High capacity air filters specifically designed to remove airborne particles.

1 micron option for water/oil emulsions.

APPLICATIONS *Ideal for high flow systems and heavily contaminated industrial environments*

- Disposable, spin-on design for quick and easy replacement
- Available in 3 sizes to suit varying applications
- Breathing at 1 or 3 micron air filtration
- Flow capabilities from 500 lpm to 1,500 lpm
- Available with either a 3 bolt flange adapter or a weld adapter



HOW TO ORDER
(Adapter only)

Weld adapter part no. **SCS 050 CG1A**
Flange adapter part no. **SCS 050 FG1A**

Size	Dimensions			
	LPM	D1	H1	H2
CS AB 040	500	96	58	110
CS AB 025	1000	96	108	160
CS AB 050	1500	96	148	200

SPECIFICATION P03A 3 micron (cellulose media) Nitrile seal
A01A 1 micron (glass-fibre media) Nitrile seal

HOW TO ORDER (Spin-on Breather only)
3 micron 1 micron

CS AB 040 P03A
CS AB 025 P03A
CS AB 050 P03A **CS AB 050 A01A**



U.K. – MP FILTRI UK Ltd.
Email: sales@mpfiltri.co.uk

Tel: 01451 822522
Fax: 01451 822282

© 2002 MP Filtri UK Limited

Issue CS-AB 01 00 / 02 / 2002

Due to a company policy of continuing improvement, MP Filtri reserve the right to alter technical specifications without prior notice.