



Search catalog...



LE 5009

Back

MANN-FILTER

Application

Cross reference

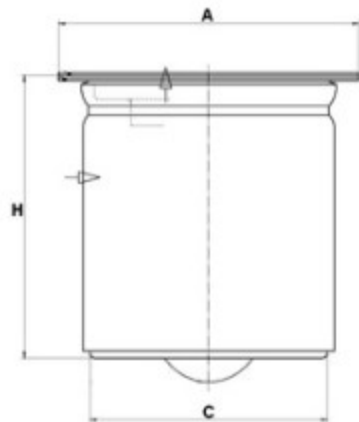
Product description

Filter type	Compressed air-oil separation
GTIN code	4011558051303
Delivery status	Available
Product Details	with gasket.

Dimensions (mm)

A	165
C	125
H	110

Product Video



Representative image

REACH information