



Search catalog...



LE 38 003

Back

MANN-FILTER

Application

Cross reference

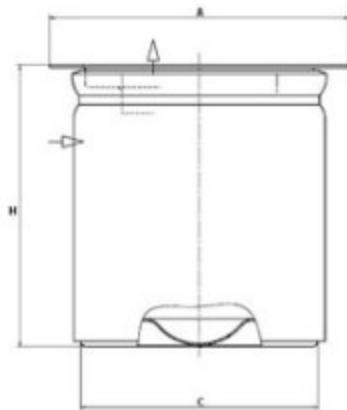
Product description

Filter type	Compressed air-oil separation
GTIN code	4011558003685
Delivery status	Available
Product Details	without gasket.

Dimensions (mm)

A	355
C	300
H	400

Product Video



Representative image

REACH information