



Search catalog...



LE 14 001

[Back](#)

 MANN-FILTER

 Application

 Cross reference

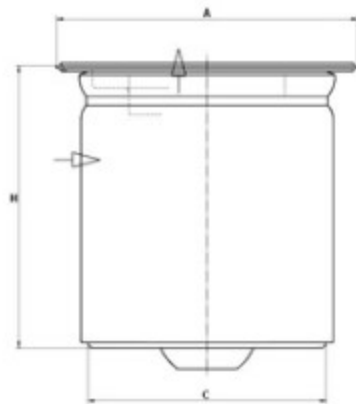
Product description

Filter type	Compressed air-oil separation
GTIN code	4011558052027
Delivery status	Available
Product Details	without gasket.

Dimensions (mm)

A	200
C	170
H	250

 [Product Video](#)



Representative image

 [REACH information](#)