



Search catalog...



LE 13 020

Back

MANN-FILTER

Application

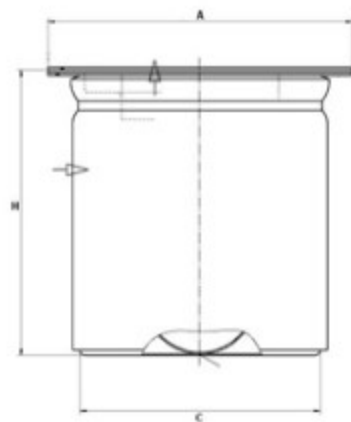
Cross reference

Product description

Filter type	Compressed air-oil separation
GTIN code	4011558338145
Delivery status	Available

Dimensions (mm)

A	200
C	160
H	250



Representative image

Product Video

REACH information