



Search catalog...



H 2120 x KIT

Back

MANN-FILTER

Application

Cross reference

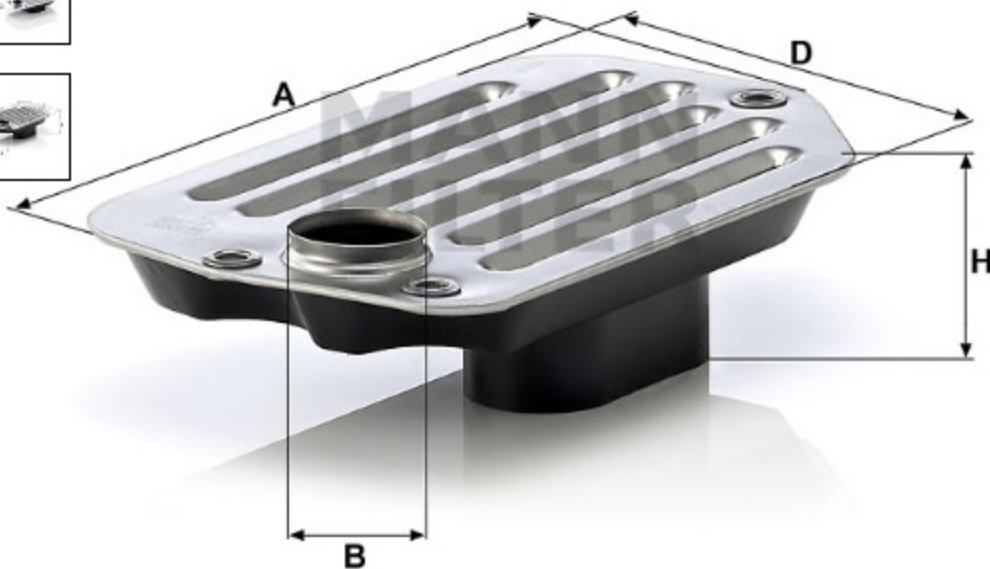
Product description

Filter type	Hydraulic Transmission Filter
GTIN code	4011558284206
Delivery status	Available
Product Details	incl. gasket for oil sump. with gasket.

Dimensions (mm)

A	207
B	34
D	127
H	21

360°



REACH information