



Search catalog...



H 1615 x KIT

Back

MANN-FILTER

Application

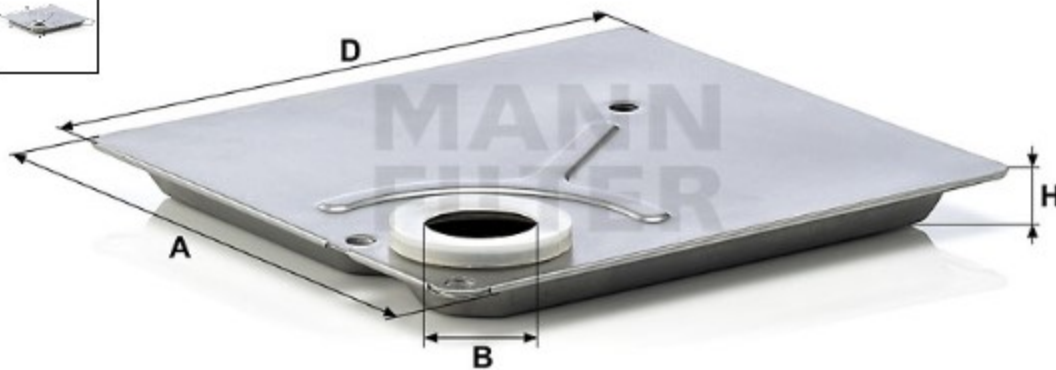
Cross reference

Product description

Filter type	Hydraulic Transmission Filter
GTIN code	4011558283209
Delivery status	Available
Product Details	incl. gasket for oil sump. with gasket.

Dimensions (mm)

A	161
B	39
D	151
H	12



REACH information