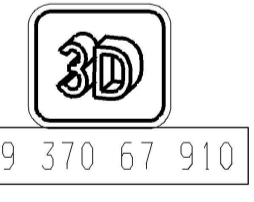
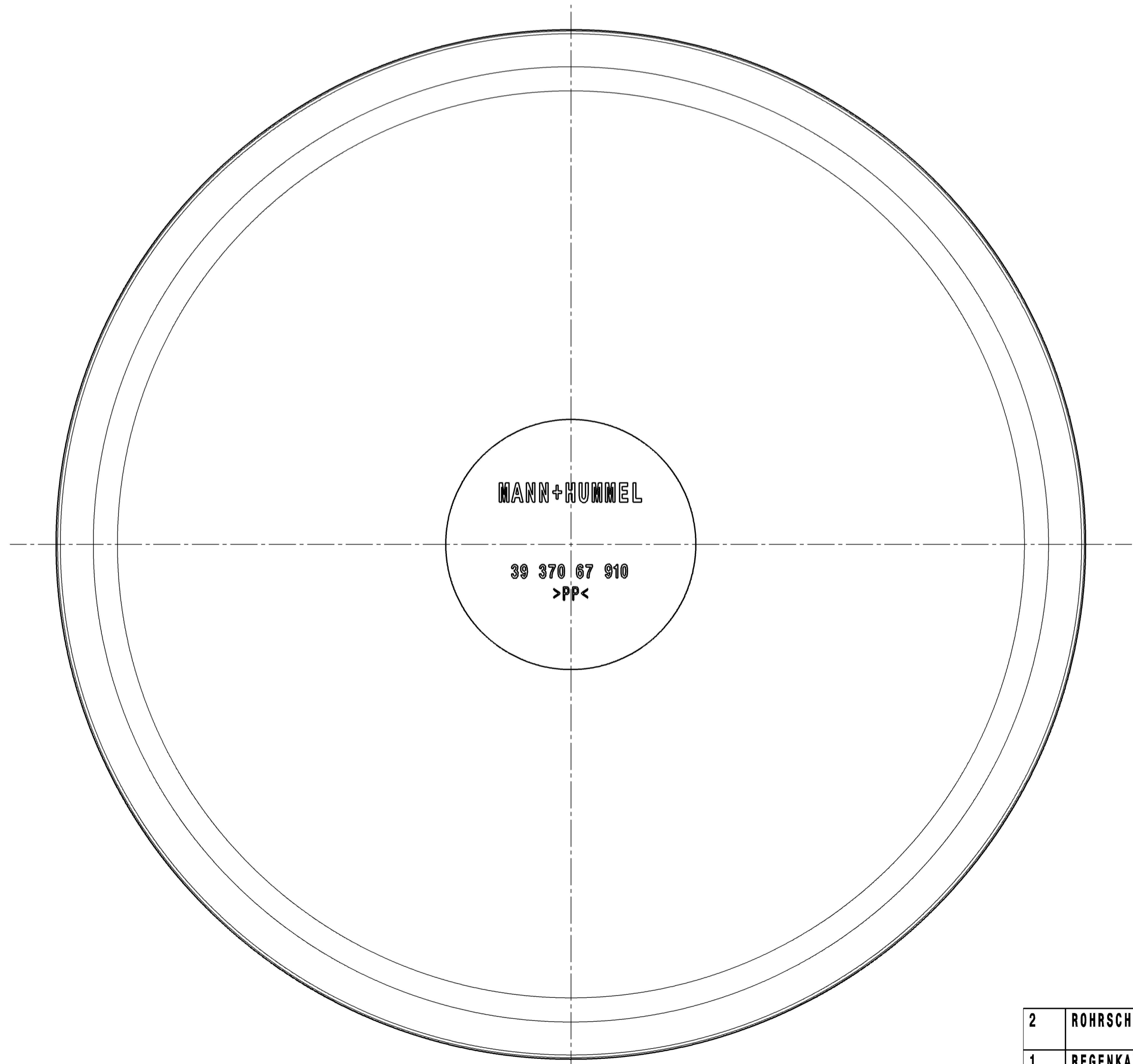
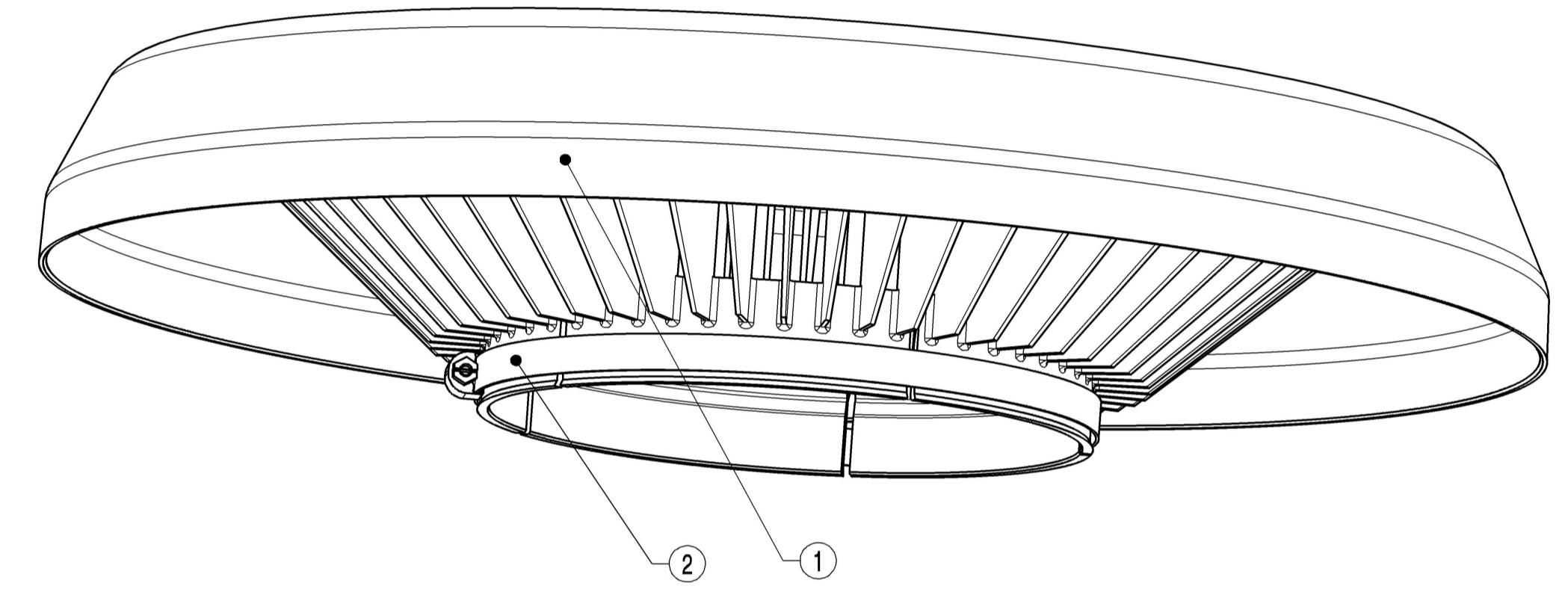
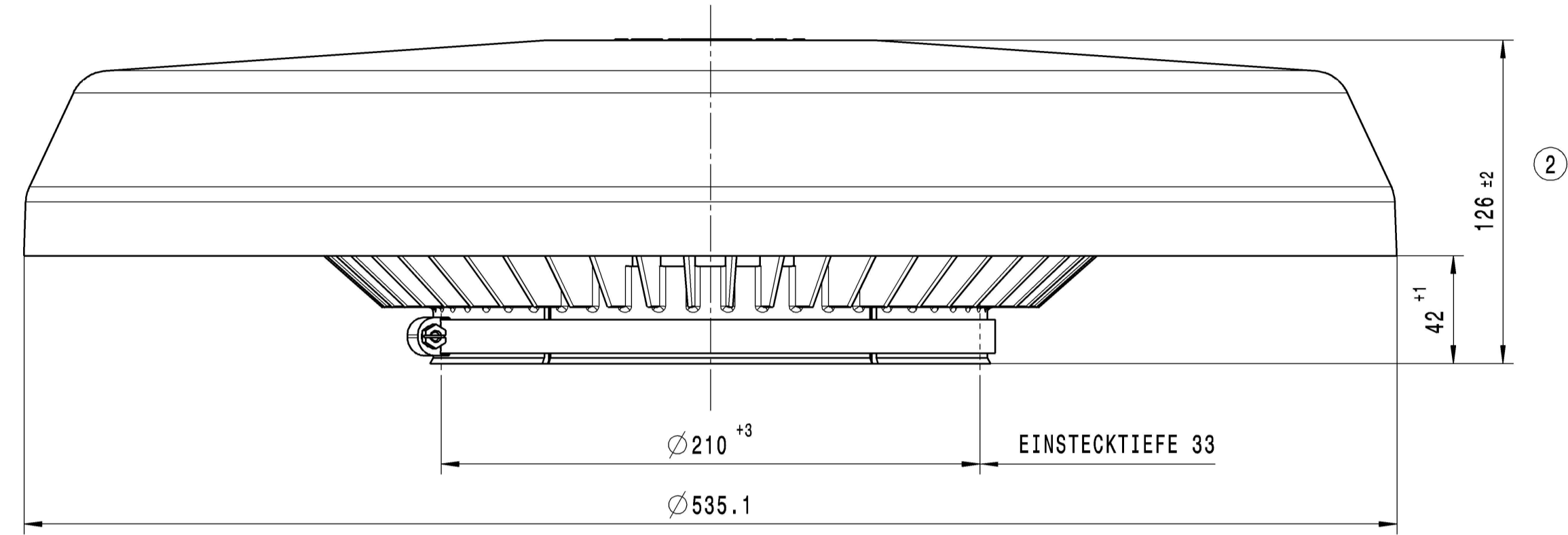


AE NO.	AE.-M. CH.-NO.	ÄNDERUNG DESCRIPTION OF CHANGE	DATUM DATE	BEARB. DRAWN	GEPR. CHECK.	GESEH. APP.
01	E70006	MATERIALANGABE ZUGEFGÜGT DESCRIPTION OF MATERIAL ADDED	27.09.06	Ackermann	Ruhland	Ruhland
02	E94606	MASS 42+1 WAR 42, MASS 126±2 WAR 84 42+1 WAS 42, 126±2 WAS 84	13.10.06	Ackermann	Ruhland	Ruhland



1
KAPPENMATERIAL: PP, SCHWARZ
MATERIAL OF CAP: PP, BLACK

FORM- UND LAGETOLERANZEN TOLERANCES OF FORM AND POSITION NACH/ACCORD. TO ISO 1101		KUNDENVERMERKE / CUSTOMER NOTICES			
OBERFLÄCHEN SURFACES NACH/ACCORD. TO ISO 1302		ISO 128	ANGEBOTSZEICHNUNG CUSTOMER DRAWING SCHUTZVERMERK ISO 16016 BEACHTEN / REFER TO PROTECTION NOTICE ISO 16016 THE REPRODUCTION, DISTRIBUTION AND UTILIZATION OF THIS DOCUMENT AS WELL AS THE COMMUNICATION OF ITS CONTENTS TO OTHERS WITHOUT EXPLICIT AUTHORIZATION IS PROHIBITED. OFFENDERS WILL BE HELD LIABLE FOR THE PAYMENT OF DAMAGES. ALL RIGHTS RESERVED IN THE EVENT OF THE GRANT OF A PATENT, UTILITY MODEL OR DESIGN.		
WERKSTÜCKKANTEN WORKPIECE EDGES NACH/ACCORD. TO ISO 13715		MASS-STAB SCALE			
MASSE OHNE TOLERANZANGABEN: DIM. WITHOUT TOLERANCES:		1:2			
LAENGEN LENGTHS	±	ABT./DEPT SI-E1	DATUM DATE	NAMEN NAME	BENENNUNG / NAME
RADIEN RADI FASEN CHAMFERS	±	BEARB./DRAWN	29.09.2005	ACKERMANN	MANN REGENKAPPE VST RAIN CAP ASSY
WINKEL ANGLE	±	GEPR./CHECK.	30.09.2005	RUHLAND.	
PROGRAMM-NR. / PROGRAM-NO.		GESEH./APP.	30.09.2005	RUHLAND.	ZEICHNUNGS-NR. DRAWING-NO.
CAD-ZEICHNUNG CAD-DRAWING		ÄHNLICH / SIMILAR		ERSATZ FUER / SUBSTITUTE FOR	
MANN+HUMMEL		MANN+HUMMEL GMBH D-71631 LUDWIGSBURG		39 370 67 910 AE NO. 02	

POS.	BENENNUNG NAME	BESTELL-NR. PART-NO.	FREMD-NR. CUSTOMER-NO.
2	ROHRSCHELLE	02 018 017 24	
1	REGENKAPPE	39 370 67 109	

ERSATZTEILLISTE / SPARE PARTS LIST