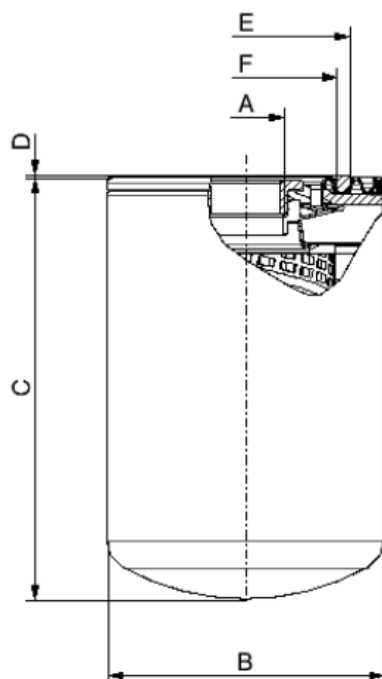


CTT 50/P25



A	3/4" GAS
B	96 mm
C	145 mm
D	1 mm
E	71 mm
F	62 mm

Media	Impregnated paper
Filtration degree	25 μm $\beta(25) > 2$
Flow direction	Out-In
Working pressure	12 bar
Burst pressure	21bar
Collapse pressure element	5 bar
Bypass	1,75 bar
Anti-drain back valve	YES
Gasket	NBR