



aerospace
climate control
electromechanical
filtration
fluid & gas handling
hydraulics
pneumatics
process control



SNAPP™

The One-Piece, High-Performance
Snap-In Fuel Filter Water Separator



ENGINEERING YOUR SUCCESS.

Now, getting the fuel filtration you need ...
is a SNAPP.



SNAPP. The fuel filter change that changes everything.

The world turns to Racor for filtration solutions that provide ultimate protection from water and solid contamination. This is filtration that includes two innovations often copied but never quite duplicated – the powerful protection of patented, world-class Aquabloc® filter media and, the Racor trademark, a clear bowl that allows for at-a-glance inspection of fuel system integrity.

————— **Fast, easy, clean, SNAPP is a fuel filter change for the better** —————

SNAPP is big protection for small engines up to 26 gph and makes every filter change literally a snap. Fast, easy, clean. No tools are needed – when it's time for service, simply snap in a new filter. Simple installation and a patented priming system mean that protecting your engine investment is now ... a SNAPP.

Mighty small. Small but mighty.

For diesel and bio-diesel; at just 4" x 8", SNAPP fits anywhere, protects everywhere.

Forget multi-piece filters with glass bowls. Forget messy change-outs. SNAPP is a one-piece fuel filter separator that is fast and effortless to service.

Quick-connect fittings for fast, confident connections.

Quick-release squeeze tabs make filter changes a snap.

Permanent mounting bracket is electrostatically coated steel for withstanding corrosive environments.

SNAPP is a one-piece fuel filter water separator for 24/7 protection, even with bio-diesel.

Heavy-duty high-impact nylon construction won't ever rust or corrode, even in humid conditions.

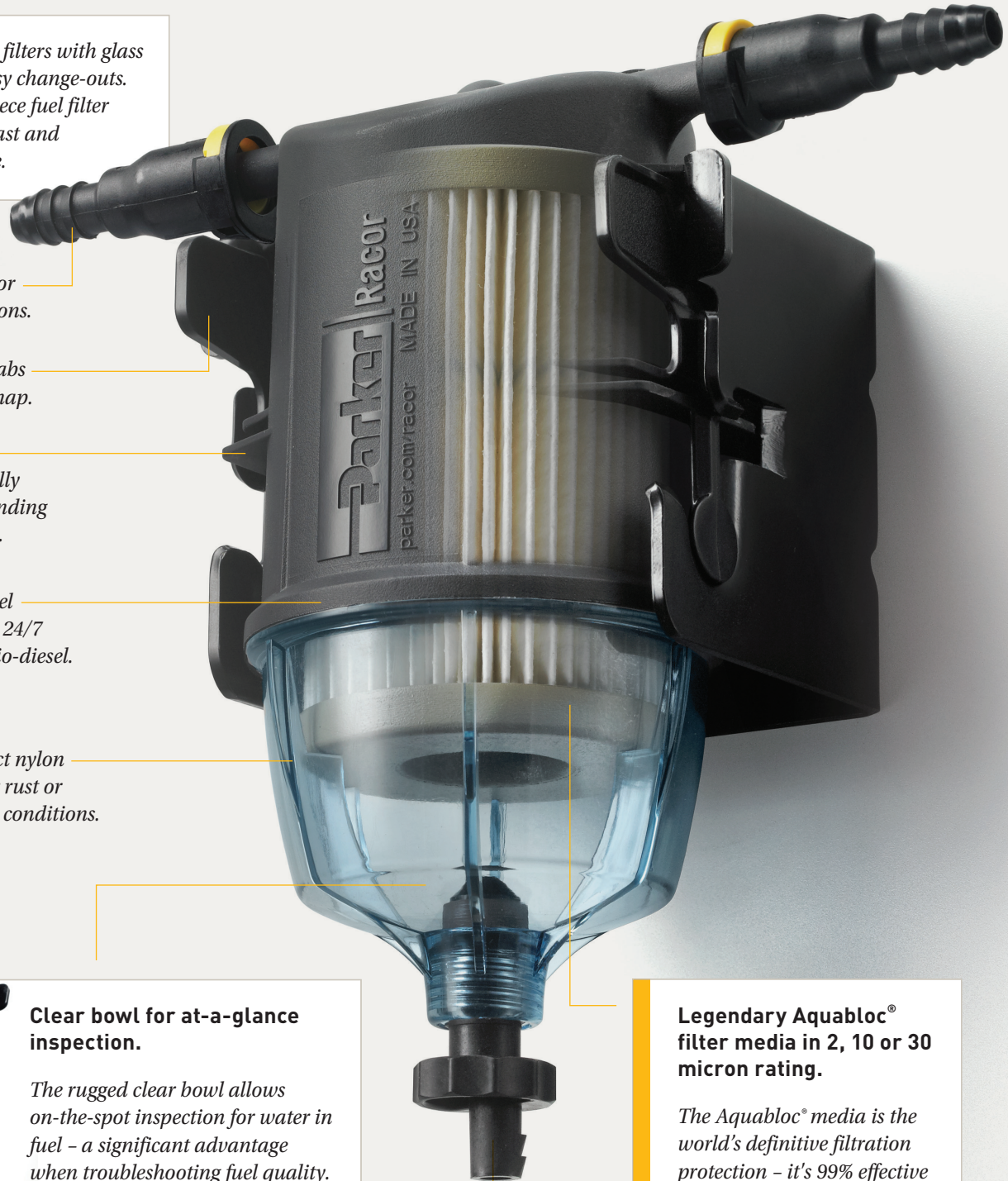
Clear bowl for at-a-glance inspection.

The rugged clear bowl allows on-the-spot inspection for water in fuel - a significant advantage when troubleshooting fuel quality.

Legendary Aquabloc® filter media in 2, 10 or 30 micron rating.

The Aquabloc® media is the world's definitive filtration protection - it's 99% effective in separating water and solid contamination from diesel and bio-diesel.

The Racor self-venting drain means easy service with no mess - twist, drain, done.



AQUABLOC ENGINEERED MEDIA

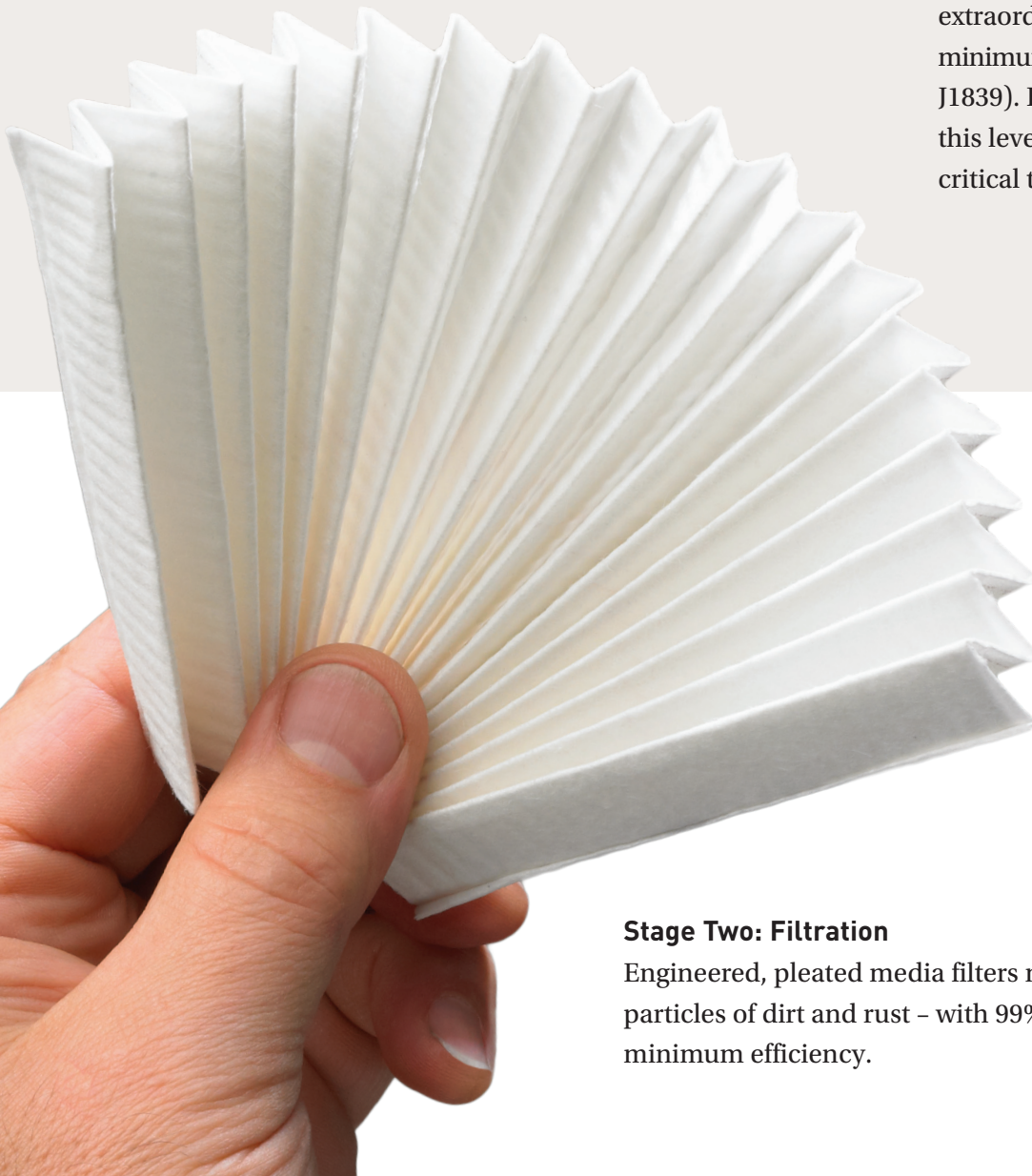
The Heart & Soul of Ultimate Engine Protection

Sensitive diesel fuel injection systems demand precise removal of damaging water and solid contamination. Yet, fuel additives to diesel and bio-diesel have made separation of harmful liquid and solid particulates more challenging than ever. The SNAPP integrated fuel filter water separator is a filtration system that is 99% efficient – for complete injector protection.

Stage One: Coalescing

Water droplets coalesce on the outside of a chemically-treated composite media. As the droplets grow in size, being heavier than fuel, they fall into the collection bowl to be drained away.

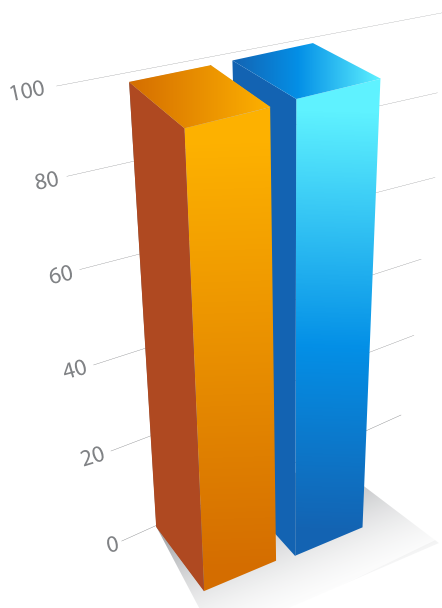
Importantly, the massive surface area of the pleated media helps to slow fuel velocity, enabling extraordinary water removal minimum efficiency of +99% (SAE J1839). Especially with biofuels, this level of water removal is critical to engine protection.



Stage Two: Filtration

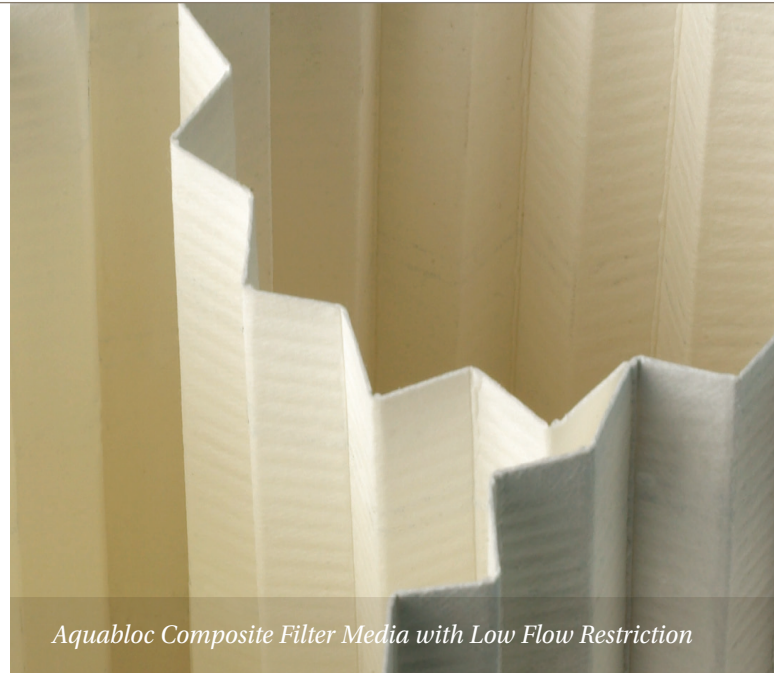
Engineered, pleated media filters microscopic particles of dirt and rust – with 99% (SAE J1985) minimum efficiency.

The ultra-high-efficiency Aquabloc media is an engineered blend of distinct media formulations – high-grade cellulose compounded with engineered fibers and chemical treatments proven to repel water.



+99% water removal efficiency (SAE J1839)

+99% particle efficiency (SAE J1985)



Aquabloc Composite Filter Media with Low Flow Restriction

- Ultra-high capacity means less frequent filter changes, boosting operating economy.
- The Aquabloc media is both corrugated and pleated to present a massive effective filtration surface area. This design innovation slows fuel velocity to improve coalescing and filtration efficiency.
- The high-dirt-holding-capacity Aquabloc media helps to dramatically extend the life of final-stage on-engine filters, and reduce the overall cost of the filtration program.
- Aquabloc cartridge filter elements are available in 2, 10, 30 micron ratings for diesel and B-20 bio-blends, so that protection can be tailored to fuel quality, operating environments and service schedules.

SNAPP

The Fastest, Cleanest Fuel Filter Change
On Earth. No Tools, No Mess, No Fuss.

EASY TO INSTALL AND SERVICE



SNAPP can be installed anywhere in the fuel line between tank and engine, in the engine compartment or on a frame rail.



Snap in a new filter; just squeeze tabs to remove.



Quick-connect couplings speed installation and service.

EASY TO PRIME

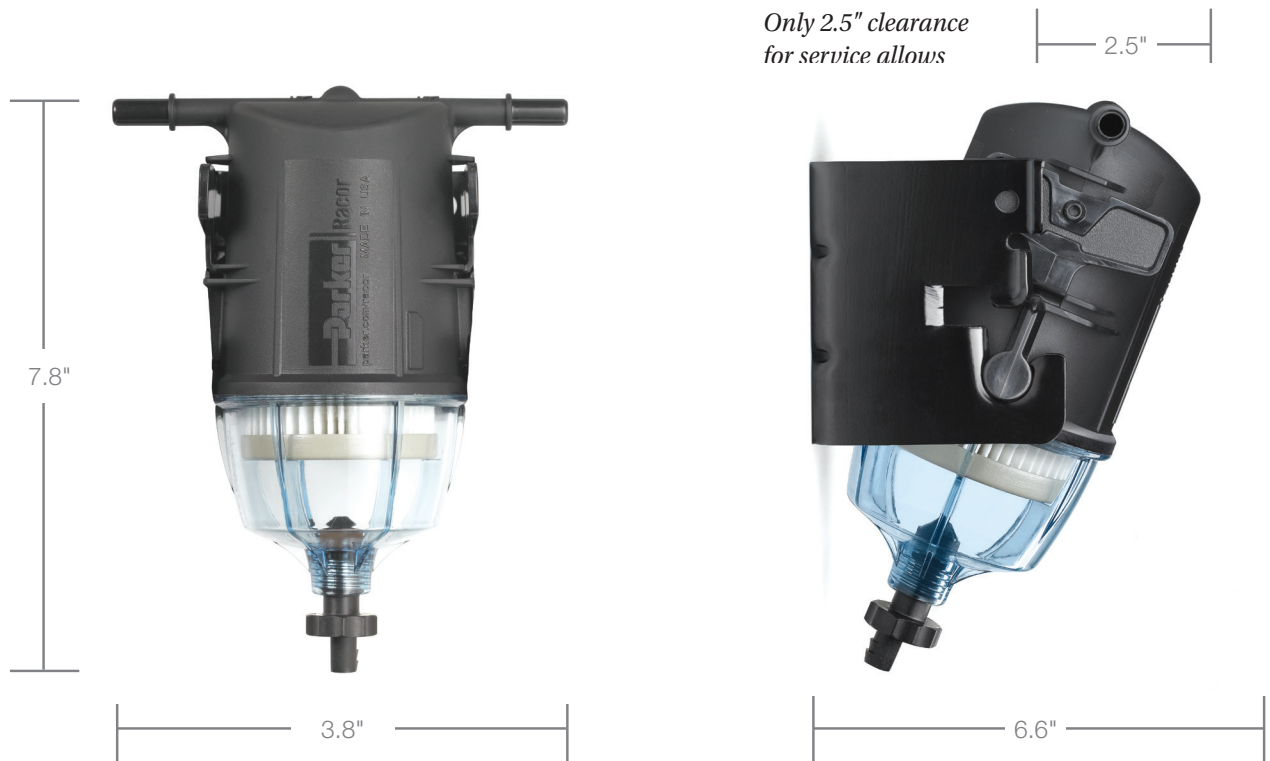
Disconnect fuel lines; snap out the old and snap in the new filter



Flip up the old filter; open the drain to prime the new; remove and reconnect.

SNAPP. You're done.

Wherever small diesel and bio-diesel engines need big protection. Wherever time is money.



SNAPP fuel filter water separators are packaged for a first installation with mounting bracket and quick connect fittings. The replacement kit includes a new SNAPP filter and priming accessory.



NOTE: Kits include Aquabloc media in 2, 10 or 30 micron ratings. Two micron is recommended for ultra-fine filtration of solid contaminants.

Specifications	
Maximum Flow Rate	26 gph (100 lph)
Aquabloc Micron Rating	2, 10, or 30 micron
Height	7.8" (198 mm)
Width	3.8" (97 mm) at bracket
Depth	4.1" (104 mm)
Water Sump Capacity	3.4 oz. (100 ml)
Body Material	Nylon 6 plastic
Bracket Material	Coated Steel
Port Size	3/8" (9.5 mm)
Quick-Connect Fittings	3/8" (9.5 mm) (per SAE J2044)
Rated Pressure	50 PSI (3.5 bar)
Water Removal Efficiency	99%
Rated Temperature Range	-20° to 150°F (-29° to 66°C)

Mobile SNAPP First Fit Assembly	Mobile SNAPP Replacements
23106-02	R23107-02
23106-10	R23107-10
23106-30	R23107-30

Worldwide Filtration Manufacturing Locations

North America

Compressed Air Treatment

Filtration & Separation/Balston

Haverhill, MA
978 858 0505
www.parker.com/balston

Filtration & Separation/Finite

Oxford, MI
248 628 6400
www.parker.com/finitefilter

Purification, Dehydration & Filtration Division

Lancaster, NY
716 685 4040
www.parker.com/pdf

Sales Office

Charlotte, NC
704 921 9303
www.parker.com/pdf

Engine Filtration & Water Purification

Racor
Modesto, CA
209 521 7860
www.parker.com/racor

Racor
Holly Springs, MS
662 252 2656
www.parker.com/racor

Racor
Beaufort, SC
843 846 3200
www.parker.com/racor

Racor – Village Marine Tec.
Gardena, CA
310 516 9911
desalination.parker.com

Hydraulic Filtration

Hydraulic Filter
Metamora, OH
419 644 4311
www.parker.com/hydraulicfilter

Process Filtration

Process Advanced Filtration
Oxnard, CA
805 604 3400
www.parker.com/processfiltration

Europe

Compressed Air Treatment

domnick hunter Industrial
England NE
+44 (0) 191 402 9000,
www.domnickhunter.com

Hiross Zander
Padova Business Unit
Angelo di Piove Padova, Italy
+39 049 9712 111
www.parker.com/hzd

Hiross Zander
Essen Business Unit
Essen, Germany
T +49 2054 9340, F +49 2054 934164
www.parker.com/hzd

Parker Gas Separations
Etten- Leur, Netherlands
+31 76 508 5300

Engine Filtration & Water Purification

Racor
England
+44 (0) 1924 487000,
www.parker.com/rfde

Racor Research & Development
Stuttgart Germany
+49 (0)711 7071 290-0
www.parker.com/racor

Hydraulic Filtration

Hydraulic Filter
Arnhem, Holland
+31 26 3760376
www.parker.com/eurofilt

Urjala Operation
Urjala as Finland
+358 20 753 2500
www.parker.com/fi

Condition Monitoring Center
Norfolk IP 24 1HP England
+44 1842 763299
www.parker.com/cmc

Process Filtration

domnick hunter Process
DH3 2SF England
T +44 (0) 191 410 5121
www.domnickhunter.com

Asia Pacific

Australia

NSW 2154, Australia
+61 2 9634 777
www.parker.com/australia

China

Shanghai 101206 China
+86 21 5031 2525
www.parker.com/china

India

Mahape, Navi Mumbai 400 709 India
T +91 22 5613 7081, 82, 83, 84, 85
www.parker.com/india

Japan

Yokohama-shi, 244-0003 Japan
T +81 45 870 1522
www.parker.com/japan

Korea

Hwaseong-City Gyeonggi-Do, Korea
T +82 31 359 0771
www.parker.com/korea

Singapore

Singapore 619 702
T +65 6887 6300
www.parker.com/singapore

Thailand

Bangkok 10250 Thailand
T +66 (0)2 186 7024
www.parker.com/thailand

Latin America

Parker Comercio Ltda. Filtration Division

Sao Jose dos Campos
CEP 12225-390 SP Brazil
+55 12 4009 3500
www.parker.com/br

Pan American Division - Miami
Miami, FL
305 470 8800
www.parker.com/panam

Africa

Aeroporto Kempton Park,
1620 South Africa
+27 11 9610700
www.parker.com/au