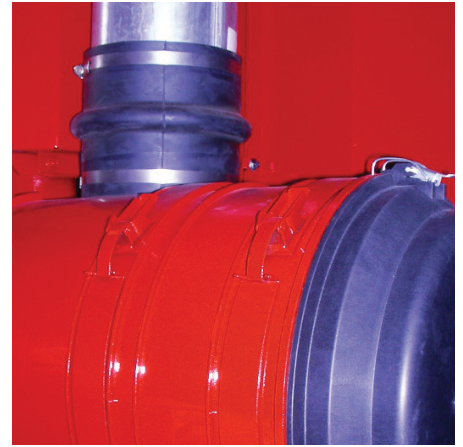


Engine Air Filtration

Rubber Elbows, Adapters, and Clamps
For Engine Intake Systems



Flexible air inlet fittings are made of high-quality EPDM rubber, and provide minimum airflow restriction between the air cleaner and engine air inlet. Their flexibility simplifies both installation and service.

Stainless steel adjustable clamps assure a positive seal and ease of service.



Contact Information:

Parker Hannifin Corporation

Racor Division

P.O. Box 3208

3400 Finch Road

Modesto, CA 95353

phone 800 344 3286

209 521 7860

fax 209 529 3278

racor@parker.com

www.parker.com/racor

Product Features:

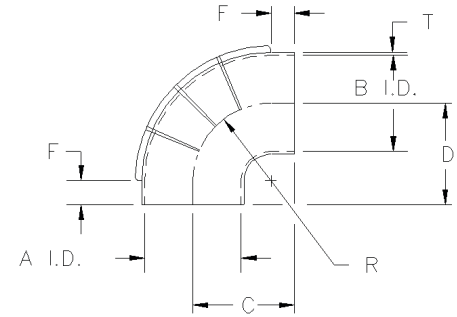
- Reducing Coupling
- Cobra Head Elbow
- 90* Reducing Elbow
- Rubber Elbow
- Hump Hose
- Reducers Hump Hose
- Insert Sleeves
- Rubber Coupling
- T-Bolt Clamps
- Hose Clamps



ENGINEERING YOUR SUCCESS.

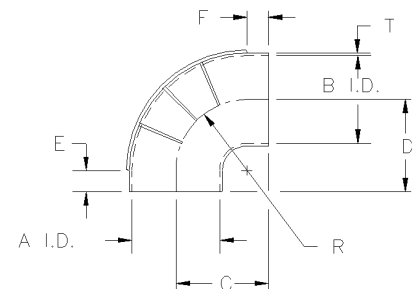
90o Elbow

Part No.	A	B	C	D	F	R	T
401403001	3.5	3.5	5.5	5.5	1.5	4	0.25
401403002	4	4	5.75	5.75	1.25	4.5	0.25
401403003	5.5	5.5	6.5	6.5	1.75	4.75	0.25
401403004	7	7	7.56	7.58	2	5.56	0.31
401403013	5	5	6.12	6.12	1.62	4.5	0.25
401403014	6	6	6.75	6.75	1.75	5	0.25
401403019	8	8	8.5	8.5	2	6.5	0.38
401403030	2	2	3.5	3.5	1.5	2	0.2
401403038	3	3	5.25	5.25	1.5	3.75	0.25
401403058	2.5	2.5	4	4	1.5	2.5	0.25
401403063	10	10	10.5	10.5	2	8.5	0.37
401403201	4.5	4.5	5.5	5.5	2	3.5	0.25
401403205	6	6	5	5	1.5	3.5	0.25



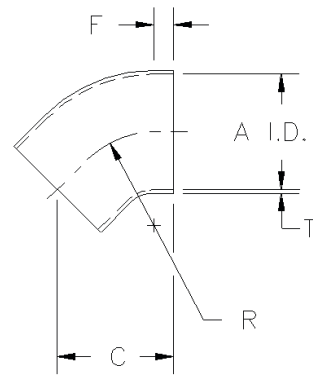
90o Reducing Elbow

Part No.	A	B	C	D	E	F	R	T
401403025	6	5.5	6.75	6.75	1.5	1.75	5	0.25
401403029	7	5.5	6.25	5.75	1.5	1.5	3.68	0.31
401403033	7	5	6.25	7	2.74	2.74	4.25	0.25
401403035	6	5	6	7	1.75	1.75	4.25	0.25
401403041	6	5	4.75	4.75	1.25	1.25	3.5	0.25
401403044	7	6	9	7.56	3	3	4.38	0.38
401403056	5	4	6	5.75	1.75	1.75	3.75	0.25
401403057	4	3	4.5	3.62	1.5	1.5	3	0.19
401403066	4	3.5	3.62	4.5	1.5	1.5	3	0.19
401403091	7	6	7	5	1.63	2.5	4.38	0.37
401403092	8	7	8.5	8.5	2	2	6.5	0.42
401403098	4	3.75	5.75	5.75	2.75	2.75	3	0.25
401403206	6	4	6	6.25	2.75	2.5	3.5	0.25
401403207	6	4	4.75	4.75	1.25	1.25	3.5	0.25
401403208	6	4	5.81	4.75	1.25	2.31	3.5	0.25
401403209	6	4	5.5	6.25	2.75	2	3.5	0.25
401403219	3	2.36	3	3	0.68	1	2	0.25



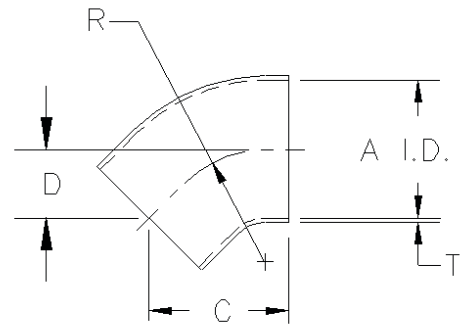
45o Elbow

Part No.	A	C	F	R	T
401403005	3.5	5	1.68	3.5	0.25
401403006	4	5.5	1.46	4.25	0.25
401403007	5.5	6.25	1.7	4.75	0.25
401403008	7	8	2.38	5.56	0.31
401403015	5	5.5	1.36	4.5	0.25
401403016	6	6.5	1.74	5	0.25
401403020	8	8.06	2	6.5	0.38
401403059	3	5.5	1.6	3.75	0.25
401403202	10	10.5	2.25	8.5	0.37
401403212	4.5	5.06	1.5	3.5	0.25



22o Elbow

Part No.	A	C	D	R	T
401403034	5.5	5.15	1.75	4.75	0.25
401403210	6	5.25	1.75	5	0.25
401403214	4	4.25	1.5	4	0.25



54o Elbow

Part No.	A	C	D	R	T
401403216	5.5	7.81	1.87	6	0.25
401403217	6	7.44	1.75	5.75	0.25

68o Elbow

Part No.	A	C	D	R	T
401403211	5.5	8.31	2	4.8	0.25
401403215	4.5	8.5	2.3	4.3	0.25
401403218	6	9.13	1.75	7.25	0.25

38o Elbow

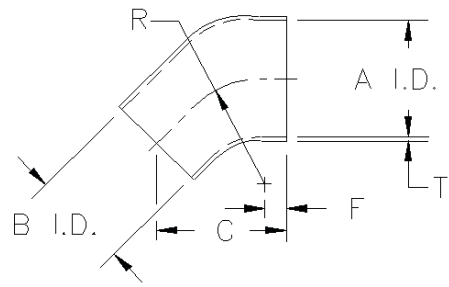
Part No.	A	C	D	R	T
401403204	6	7.3	2.25	4	0.25

63o Elbow

Part No.	A	C	D	R	T
401403220	8	11.9	2	5.6	0.38

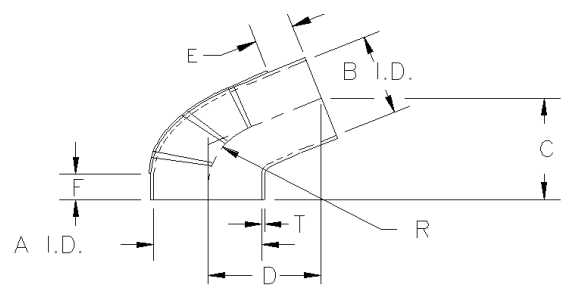
45o Reducer Elbow

Part No.	A	B	C	F	R	T
401403042	7	6	7.38	1.75	5.56	0.31
401403203	6	5	6.44	1.75	4	0.23
401403213	6	5.5	6.44	1.75	4.87	0.25



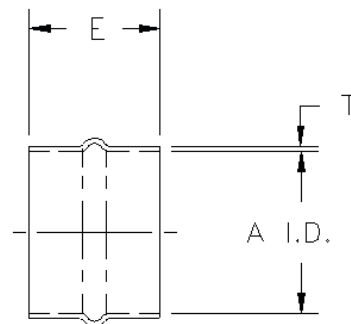
68o Reducer Elbow

Part No.	A	B	C	D	E	F	R	T
401403055	7	6	7.6	6	3.43	1.68	5	0.25



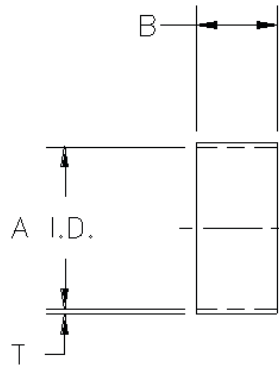
Coupling

Part No.	A	E	T
015094009	3.5	5.25	0.25
015094010	4	5.25	0.25
015094011	5.5	6	0.25
015094012	7	7	0.25
015094017	5	6	0.25
015094018	6	6	0.25
015094021	8	8	0.31
015094039	3	5.25	0.25
015094040	10	6	0.25
015094046	4.5	6	0.25
015094116	5	4.88	0.25
015094117	8	5	0.25



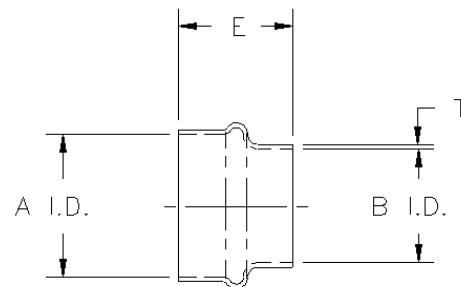
Straight Sleeve

Part No.	A	B	T
015094047	2.75	2.4	0.25
015094048	3.5	2.5	0.25
015094049	3.5	3	0.25
015094050	4.75	3.2	0.25
015094051	5.5	3.8	0.25
015094052	5.5	4	0.25
015094053	6	3.5	0.25
015094054	7	5	0.25
015094070	5	2.5	0.25
015094075	4	3.5	0.25
015094076	5	3.5	0.25
015094077	7	3.5	0.25
015094078	8	3.5	0.25
015094079	9	3.5	0.25
015094095	6	6.5	0.25
015094097	4	3	0.25



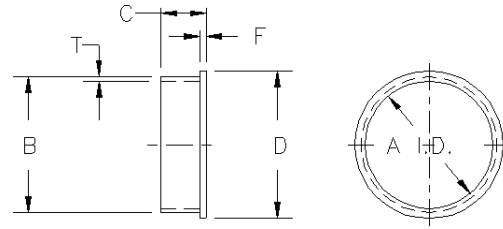
Reducer Hump Hose

Part No.	A	B	E	T
015094022	6	5	6	0.25
015094023	6	5.5	6	0.25
015094024	5.5	5	6	0.25
015094026	5.5	4	6	0.25
015094027	3.5	3	6	0.25
015094031	7	5.5	7	0.25
015094032	8	7	5	0.25
015094037	7	5	7	0.25
015094045	7	6	6	0.25
015094060	3	2.5	6	0.25
015094061	4	3	5.25	0.25
015094062	10	8	6	0.25
015094065	5	4	6	0.25
015094073	4.5	4	6	0.25
015094086	8	5.5	7	0.25
015094092	8	6	6	0.25
015094105	4	3.5	5.25	0.25
015094106	6	4	6	0.25
015094107	6	4	8	0.25
015094108	6	4	7	0.25
015094109	6	4	7	0.25
015094111	3	2.75	3.5	0.19
015094112	3.5	2.75	4	0.19
015094113	4	2.75	4	0.19
015094114	3.5	2.5	6	0.25
015094115	3	2.36	6	0.25



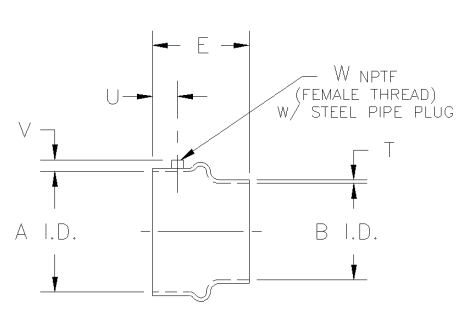
Reducer Insert Sleeve

Part No.	A	B	C	D	F	T
015094036	5	5.5	1.75	6	0.25	0.25
015094043	5.5	5	1.75	6.5	0.25	0.25
015094064	5	5	1.75	6.5	0.25	0.5
015094072	4	5	1.75	5.5	0.25	0.5
015094080	3	4	1.75	4.5	0.25	0.5
015094081	6	7	1.75	7.5	0.25	0.5
015094082	8	9	1.75	9.5	0.25	0.5
015094089	2.75	4	1.75	4.5	0.25	0.62
015094094	2.25	2.5	1.75	3	0.25	0.13
015094096	6.25	7	1.75	7.5	0.25	0.38
015094102	4.5	5	1.75	5.5	0.25	0.25
015094103	4	5.5	1.75	6	0.25	0.75
015094104	4	4.5	1.75	5	0.25	0.25



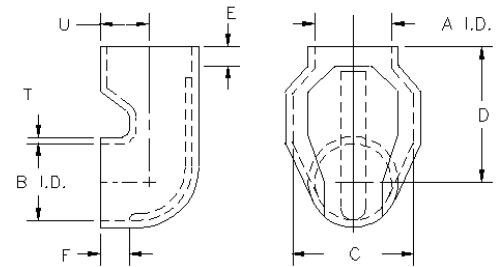
Reducer Coupling w/Fitting

Part No.	A	B	E	T	U	V	W
125291001	7	5	7	0.25	1.83	0.63	1/8
125291002	7	5.5	7	0.25	1.83	0.75	1/8
125291003	7	6	6	0.25	1.56	0.88	1/8
125291004	6	5	6	0.25	1.5	0.75	1/8
125291005	7	4	8	0.25	3.83	0.63	1/8



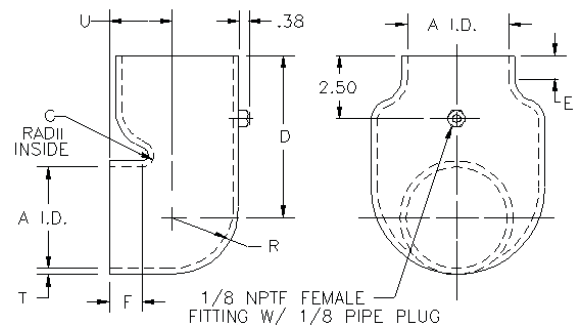
Cobra 90o Elbow (Special)

Part No.	A	B	C	D	E	F	T	U
401079068	3	3	5	5.35	1.75	1.14	0.25	1.93
407079074	4	5	6.62	7	2	1	0.31	2.5
401079093	6	5	9.23	10.8	2	1.5	0.32	5



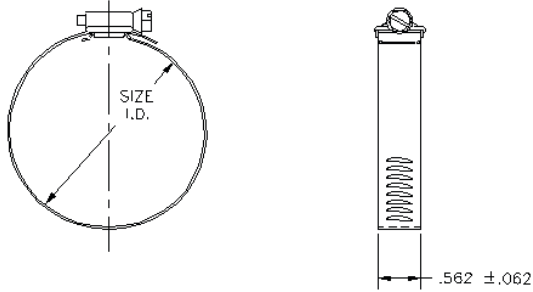
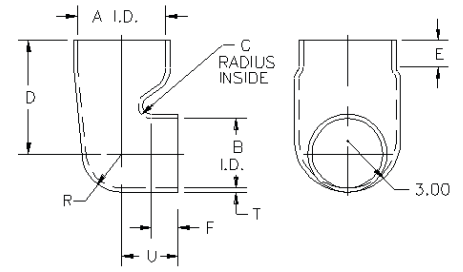
Cobra 90o Elbow

Part No.	A	C	D	E	F	R	T	U
401079069	4	0.75	6.44	1.5	1.5	2	0.25	2.69
401079071	4	0.75	6.44	1.5	1.5	2	0.25	2.69
401079087	4	0.75	6.44	1.5	2	2	0.25	3.19



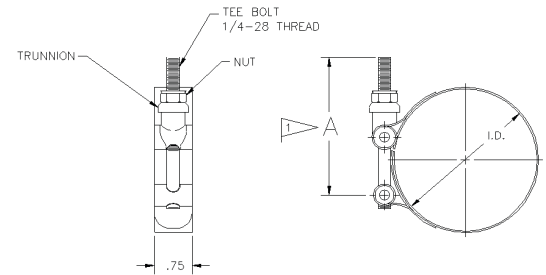
Cobra 90o Elbow (Special)

Part No.	A	B	C	D	E	F	R	T	U
401079083	5	4	0.75	6.44	1.5	1.5	2.25	0.25	3.19
401079090	5	4	0.75	6.44	1.5	0.88	2.25	0.25	2.57



Worm Gear Clamp

Part No.	I.D. (Min)	I.D. (Max)
004690001	2 1/16	3
004690005	2 9/16	3 1/2
004690006	2 3/4	4 5/8
004690007	4 5/8	5 1/2
004690008	5 1/8	6
004690009	13/16	1 3/4
004690010	1 9/16	2 1/2
004690011	4 1/8	5
004690012	5 5/8	6 1/2
004690013	3 1/16	4
004690014	6 1/8	7
004690015	6 7/8	7 3/4
004690016	8 3/8	9 1/4
004690017	9 1/8	10
004690018	7 5/8	8 1/2
004690019	9 7/8	10 3/4
004690020	11 3/8	12 1/4
004690021	14 3/8	15 1/4
004690022	15 1/8	16
004690024	3 5/16	4 1/4
004690025	1 5/16	2 1/4
004690026	3 1/8	6
004690027	4 1/8	7



T-Bolt Clamps

Part No.	I.D. (Min)	I.D. (Max)
111657001	1.88	2.12
111657002	2.31	2.62
111657003	2.81	3.12
111657004	3.31	3.62
111657005	3.81	4.12
111657006	4.31	4.62
111657007	4.81	5.12
111657008	5.31	5.62
111657009	5.81	6.12
111657010	6.31	6.62
111657011	7.44	7.75
111657012	8.44	8.75
111657013	6.75	7.06
111657014	7.75	8.06
111657015	8.5	8.81
111657016	9.69	10
111657017	10.5	10.81
111657018	6.5	6.81
111657019	7.5	7.81
111657020	9.25	9.56
111657021	10.31	10.62
111657022	7.06	7.38
111657023	7.13	7.44
111657024	7.19	7.5
111657025	7	7.31

Worldwide Filtration Manufacturing Locations

North America

Compressed Air Treatment Filtration & Separation/Balston

Haverhill, MA
978 858 0505
www.parker.com/balston

Finite Airtek Filtration Airtek/domnick hunter/Zander

Lancaster, NY
716 686 6400
www.parker.com/faf

Finite Airtek Filtration/Finite

Oxford, MI
248 628 6400
www.parker.com/finitefilter

Engine Filtration & Water Purification Racor

Modesto, CA
209 521 7860
www.parker.com/racor

Holly Springs, MS
662 252 2656
www.parker.com/racor

Beaufort, SC
843 846 3200
www.parker.com/racor

Village Marine, Sea Recovery, Horizon Reverse Osmosis

Carson, CA
310 637 3400
www.parker.com/watermakers

Hydraulic Filtration Hydraulic Filter

Metamora, OH
419 644 4311
www.parker.com/hydraulicfilter

Laval, QC Canada
450 629 9594
www.parkerfarr.com

Process Filtration domnick hunter Process Filtration

Oxnard, CA
805 604 3400
www.parker.com/processfiltration

Madison, WI
608 824 0500
www.scilog.com

Phoenixville, PA
610 933 1600
www.parker.com/processfiltration

Aerospace Filtration Velcon Filtration

Colorado Springs, CO
719 531 5855
www.velcon.com

Europe

Compressed Air Treatment domnick hunter Filtration & Separation

Gateshead, England
+44 (0) 191 402 9000
www.parker.com/dhfn

Parker Gas Separations

Etten-Leur, Netherlands
+31 76 508 5300
www.parker.com/dhfn

Hiross Zander

Padova Business Unit
Padova, Italy
+39 049 9712 111
www.parker.com/hzd

Hiross Zander

Essen Business Unit
Essen, Germany
+49 2054 9340
www.parker.com/hzd

Engine Filtration & Water Purification Racor

Dewsbury, England
+44 (0) 1924 487 000
www.parker.com/rfde

Racor Research & Development

Stuttgart, Germany
+49 (0)711 7071 290-10
www.parker.com/rfde

Hydraulic Filtration Hydraulic Filter

Arnhem, Holland
+31 26 3760376
www.parker.com/hfde

Urbala Operation

Urbala, Finland
+358 20 753 2500
www.parker.com/hfde

Condition Monitoring Centre

Norfolk, England
+44 (0) 1842 763 299
www.parker.com/hfde

Parker Kittiwake

West Sussex, England
+44 (0) 1903 731 470
www.kittiwake.com

Parker Procal

Peterborough, England
+44 (0) 1733 232 495
www.kittiwake.com

Process Filtration domnick hunter Process Filtration

Birtley, England
+44 (0) 191 410 5121
www.parker.com/processfiltration

Parker Twin Filter BV

Zaandam, Netherlands
+31(0)75 655 50 00
www.twinfilter.com

Asia Pacific

Australia

Castle Hill, Australia
+61 2 9634 7777
www.parker.com/australia

China

Shanghai, China
+86 21 5031 2525
www.parker.com/china

India

Navi Mumbai, India
+91 22 651 370 8185
www.parker.com/india

Parker Fowler

Bangalore, India
+91 80 2783 6794
www.johnfowlerindia.com

Japan

Tokyo, Japan
+81 45 870 1522
www.parker.com/japan

Parker Techno

Osaka, Japan
+81 66 340 1600
www.techno.taiyo-ltd.co.jp

Korea

Hwaseon-City
+82 31 359 0852
www.parker.com/korea

Singapore

Jurong Town, Singapore
+65 6887 6300
www.parker.com/singapore

Thailand

Bangkok, Thailand
+66 2186 7000
www.parker.com/thailand

Latin America

Parker Comercio Ltda. Filtration Division

Sao Paulo, Brazil
+55 12 4009 3500
www.parker.com/br

Pan American Division

Miami, FL
305 470 8800
www.parker.com/panam

Africa

Aeroporto Kempton Park, South Africa
+27 11 9610700
www.parker.com/africa

