

The compact power pack with high performance cyclone technology IQORON-V 4.5 air cleaner



MANN+HUMMEL

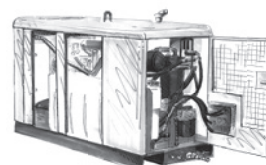


An intelligent solution

The IQORON-V 4.5, the smallest air cleaner of the IQORON V series, is designed for flow rates up to 4.5 m³/min. It is characterised by high performance, a small installation space and easy maintenance. The two-stage air cleaners of the IQORON-V series are suitable for machines operating under heavy dust conditions and cover nominal flow rates from 2 to 14 m³/min. MANN+HUMMEL meets the current and future requirements for greater air throughput with reduced installation space and is therefore the ideal solution for compact applications.

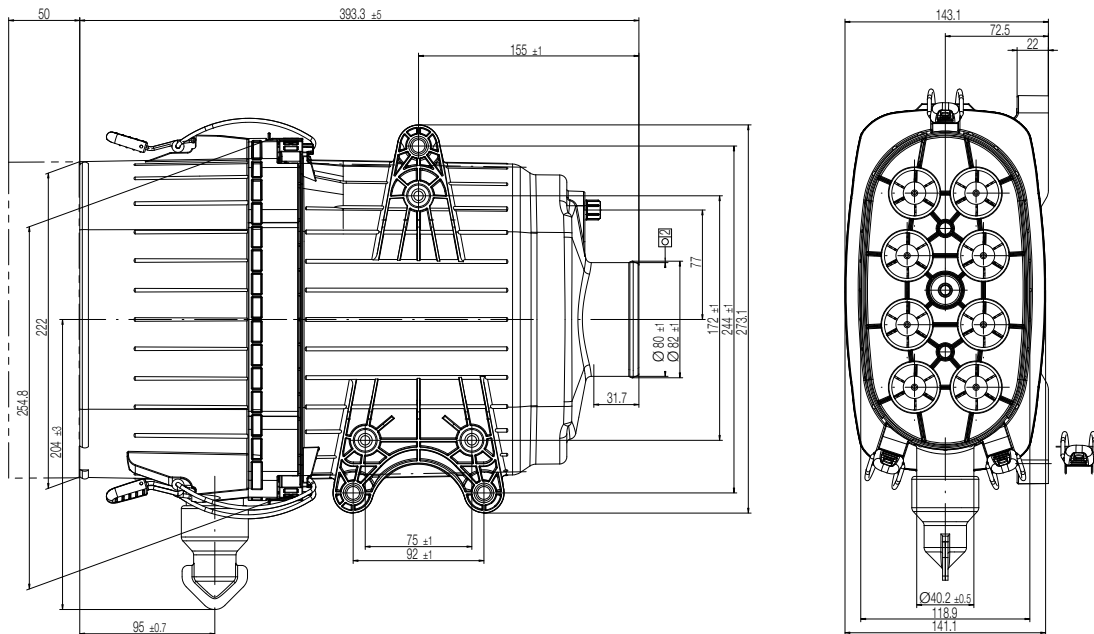
The outstanding features of the IQORON-V 4.5:

- the straight air flow makes the air cleaner particularly suitable for tight installation conditions
- the CompacPleat filter element and highly efficient pre-separation with multi-cyclone block result in longer service life
- a pre-separation efficiency with dust discharge valve higher than 90%, and with scavenging up to 96%
- the compact oval design requires less space
- highest operational reliability achieved through filter element with axial seal and additional secondary element with radial seal
- easy monitoring of the dust load through integrated connection for service switch
- easy access to clean multi-cyclone block through central screw
- environmental-friendly disposal through metal-free filter elements (fully incinerable)
- quick first fitting through mounting points integrated on housing with variable installation positions for easy adjustment to many installation space requirements
- maintenance friendly through self-holding end caps with distinctive colouring

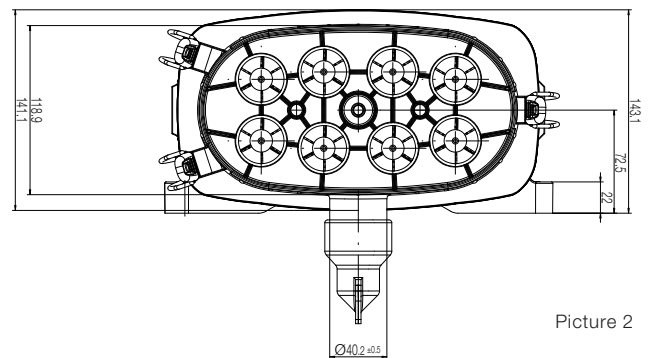


IQORON-V 4.5

Dimensions and part numbers



Picture 1



Picture 2

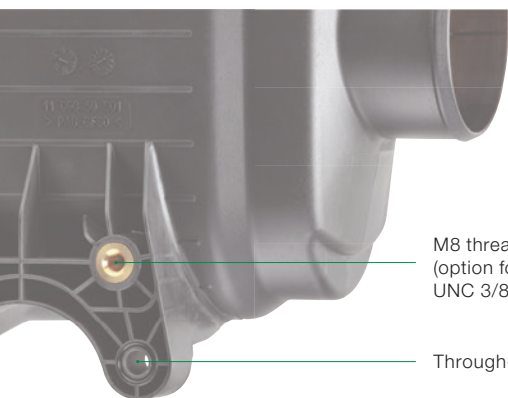
Size	Nominal flow rate [m ³ /min]	Picture	Part no.		Replacement filter element		Weight [kg]
			without secondary element	with secondary element	MANN-FILTER main element	MANN-FILTER secondary element	
IQORON-V 4.5	4.5	1	45 180 95 911	45 180 95 910	C 22 041	CF 1941	2.83
		2	45 180 95 913	45 180 95 912			

Replacement parts

Size	Picture	Part no.		Replacement filter element	
		Cyclone block	Dust discharge valve	MANN-FILTER main element	MANN-FILTER secondary element
IQORON-V 4.5	1	45 180 12 988	39 000 40 731	C 22 041	CF 1941
	2	45 180 12 999			

IQORON-V 4.5

Component parts



M8 threaded inserts
(option for M10 or
UNC 3/8"-16)

Through-hole

Filter housing

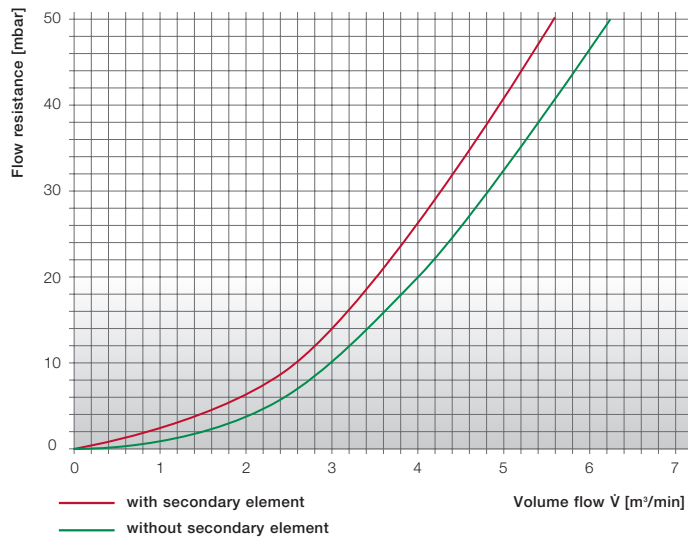
The housing is made from robust plastic reinforced with fibre-glass. The advantages of this material are its mechanical load capacity and wide range of operating temperatures. As a result, IQORON-V 4.5 can be used in continuous operation in temperatures up to +100°C and for short periods of time up to +120°C.

The connection of a service switch or indicator is possible directly on the housing. The mounting possibilities are integrated in the housing as standard. On request different threaded inserts are available for M8 screws.

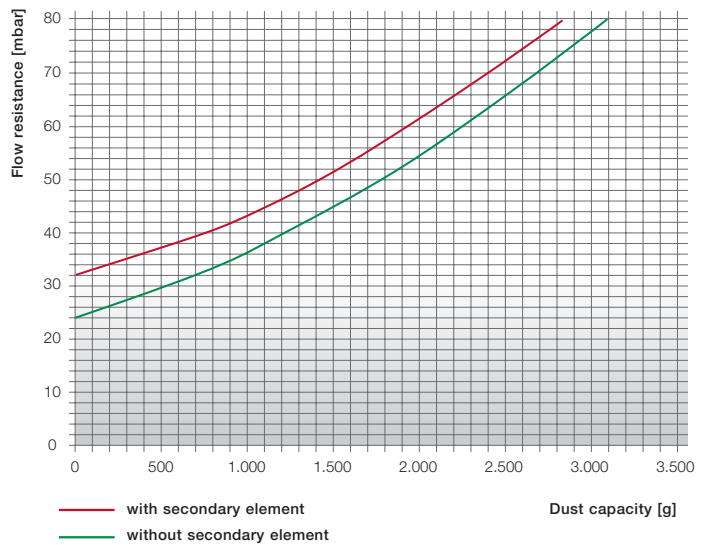


Flow characteristics

Flow characteristics for flow rates as per ISO 5011



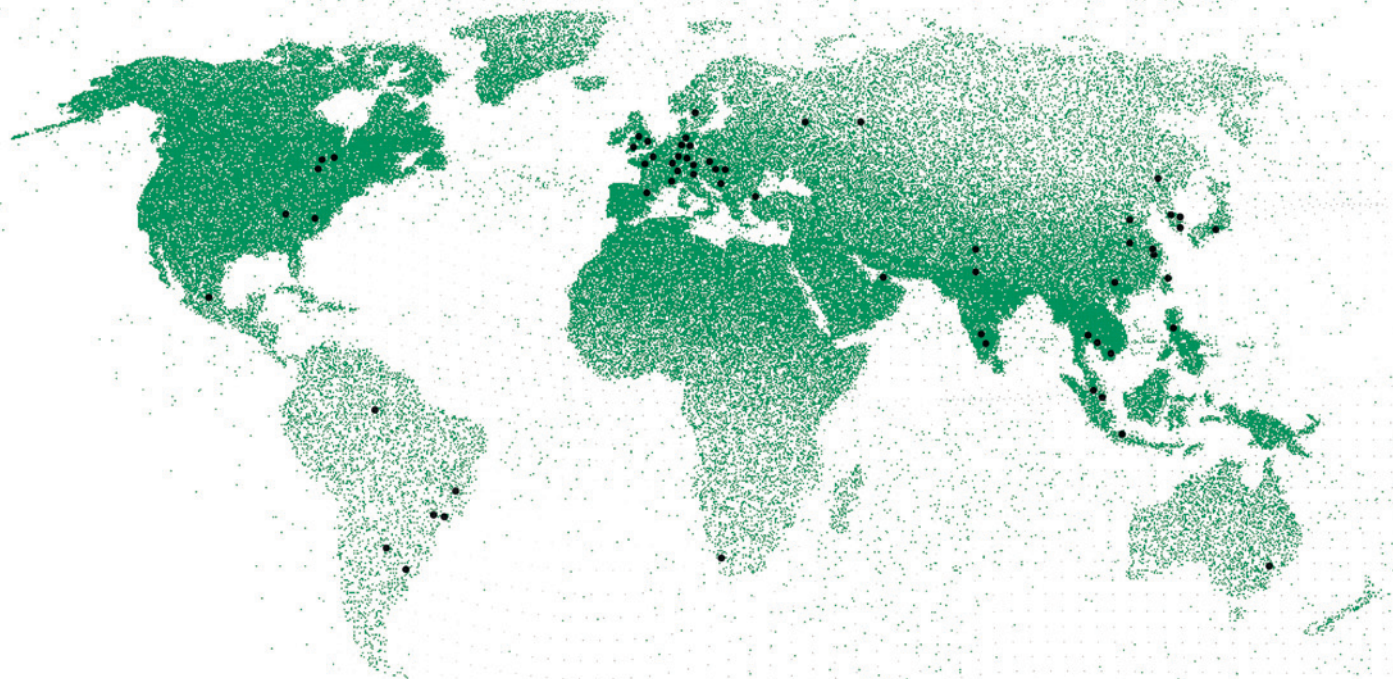
Flow characteristics for dust capacity as per ISO 5011



Specifications

- Operating temperatures for continuous operation:
-40°C to +100°C / +120°C for a short time
- Tightening torque for mounting screws:
Threaded inserts: 15 ±3 Nm
Through-hole: 23 Nm
- Tightening torque for hose clamp (on the clean side):
max. 5 +0.5 Nm
- Housing material: PA6 GF30

MANN+HUMMEL Group



The MANN+HUMMEL Group is a company with international operations and employs around 15,200 people worldwide at 60 international locations.

The company develops, produces and sells technically complex components and systems for the automotive industry and many other fields. A key area is high

quality filtration products for vehicles, engines and industrial applications. The OEM business with global market leaders and producers of vehicles, machines and installations defines the quality and performance of the products. Filters for the international aftermarket are sold under numerous international brands as well as under the group's own MANN-FILTER brand.

MANN+HUMMEL Industrial Filtration

The Industrial Filtration Business Unit with its headquarters in Speyer (Germany) is specialised in meeting the requirements of off-highway vehicle and engine applications, compressed air and vacuum technology, mechanical engineering and plant construction.

For these and other industrial fields MANN+HUMMEL Industrial Filtration offers high performance products for the filtration and separation of air, gases and liquids.

Thanks to an efficient and well-organised partner network and global sales network the products are readily available at almost all locations.

MANN+HUMMEL GMBH

67346 Speyer · Germany

Tel.: +49 (62 32) 53-80

Fax: +49 (62 32) 53-88 99

if.info@mann-hummel.com

www.mann-hummel.com

Catalogues: www.mann-hummel.com/en/corp/services/catalogues