

# MPT

## Multifunction

## Multiport



**Maximum pressure 8 bar**  
**Flow rates to 300 l/min**

## Filter housing (Materials)

- Head: Aluminium
- Cover: Nylon
- Bowl: Nylon

## Pressure

- Working pressure: 8 bar

## Temperature

- From -25 °C to +110 °C

## Bypass valve

- Opening pressure 1.75 bar ±10%
- Opening pressure 3 bar ±10%

## Δp Elements type

- Series N and H elements: 10 bar
- Oil flow from outside to inside.

## Seals

- Standard NBR series A
- Optional FPM series V

## MPT FILTERS ARE PROVIDED FOR VERTICAL MOUNTING

### Weights (kg)

Length	1	2	3	4
• MPT 025	0,41	0,45	0,50	-
• MPT 027	0,44	0,48	0,55	-
• MPT 101	1,00	1,05	1,15	1,40
• MPT 104	1,10	1,15	1,25	1,50
• MPT 110-120	1,00	1,05	1,15	1,40
• MPT 114	1,10	1,15	1,25	1,50

### Volumes (dm<sup>3</sup>)

Length	1	2	3	4
• MPT 025	0,24	0,35	0,42	-
• MPT 027	0,24	0,35	0,42	-
• MPT 101	0,72	0,93	1,28	1,74
• MPT 104	0,72	0,93	1,28	1,74
• MPT 110-120	0,72	0,93	1,28	1,74
• MPT 114	0,72	0,93	1,28	1,74

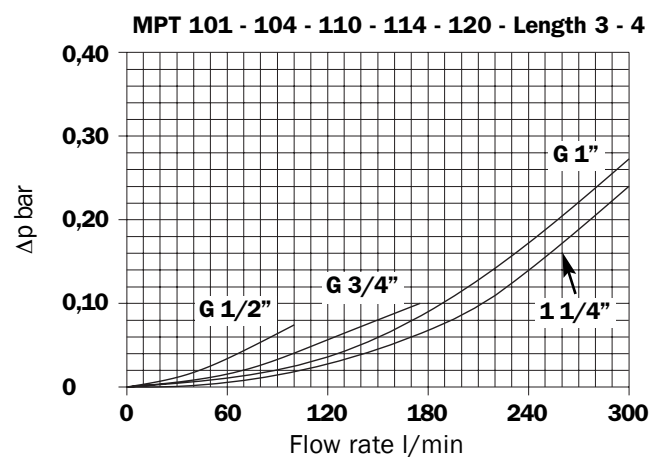
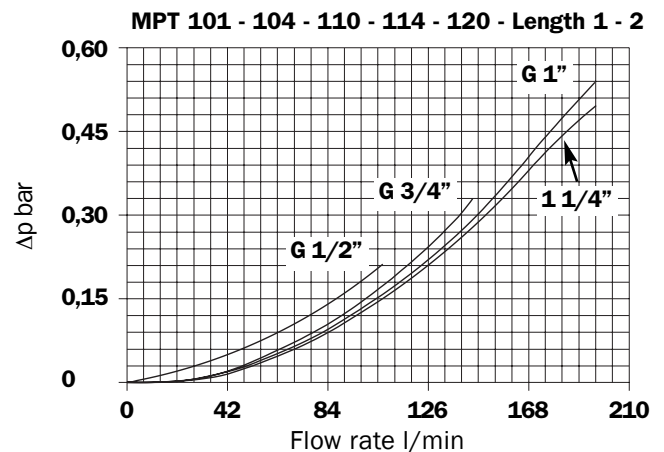
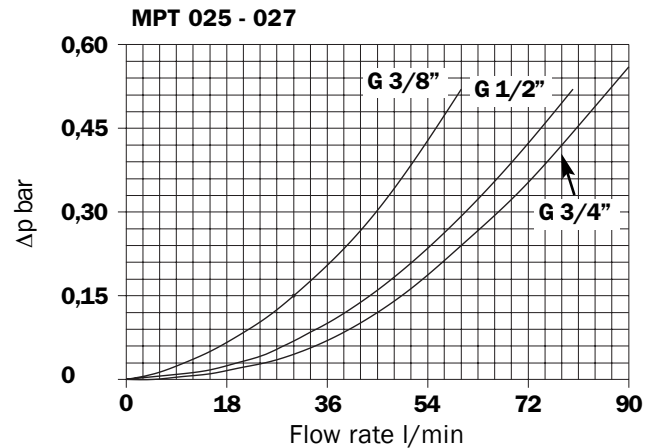
## Compatibility (to ISO 2943)

- Housings compatible with:  
Mineral oils, synthetic fluids.  
Aqueous emulsions, water and glycol  
(series W required).
- The filter elements are compatible with:  
Mineral oils, synthetic fluids.  
Aqueous emulsions, water and glycol  
(series W required).
- NBR seals series A, compatible with:  
Mineral oils, synthetic fluids.  
Aqueous emulsions, water and glycol.
- FPM seals V series, compatible with:  
Synthetic fluids type HS-HFDR-HFDS-HFDU

## Filter housings Δp pressure drop

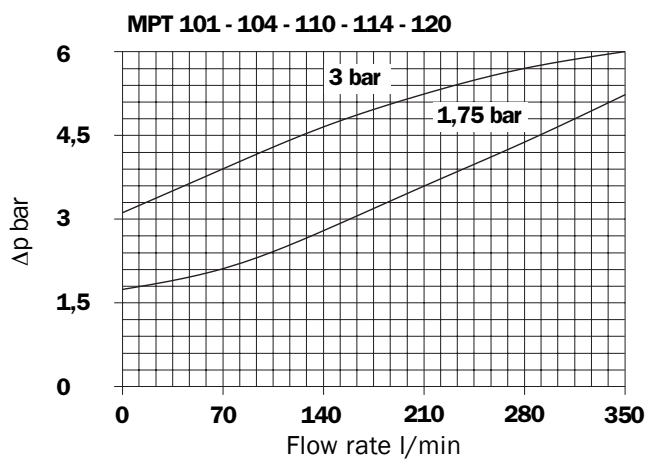
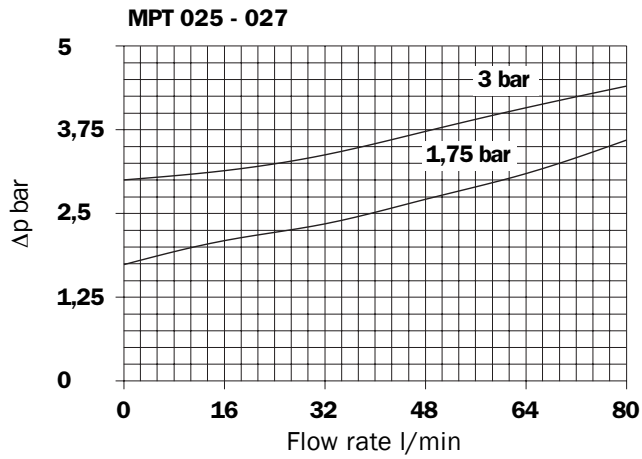
The curves are plotted utilising mineral oil with density of 0.86 kg/dm<sup>3</sup> to ISO 3968.

Δp varies proportionally with density.



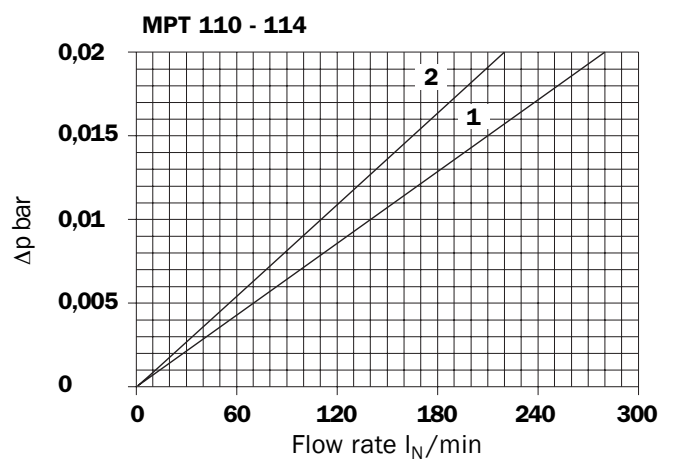
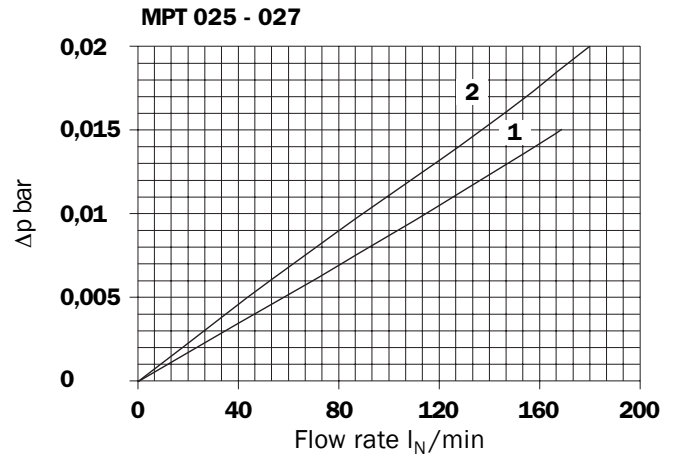
**Valves**

**Bypass valve pressure drop**



**Air breather**

**Pressure drop**



- 1: C With air breather 10 μ
- 2: D With anti-splash and SAP50 10 μ

**Recommended maximum flow rate**

- Pressure drop of filter assembly equal to Δp 0,5 bar.
- Oil kinematic viscosity 30 mm<sup>2</sup>/s (cSt).
- Density 0,86 kg/dm<sup>3</sup>.

**Filtration**

	Length	A03	A06	A10	A16	A25	P10	P25	M25 - M60 - M90	
<b>MPT 025 - 027</b>	1	6	9	23	28	42	50	54	110	
	2	16	19	45	48	55	64	67	110	
	3	21	24	50	55	59	70	75	110	
<b>MPT 101 - 104</b>	1	17	20	53	56	64	86	94	290	
	<b>110 - 114</b>	2	28	38	64	75	95	110	120	290
	<b>120</b>	3	47	53	125	135	168	220	250	290
		4	80	88	180	185	195	260	280	290

Flow rate l/min

# MPT 110



**Multiport - Multifunction**  
**Standard**  
**Single In Port**



**Multiport - Multifunction**  
**Double In Port**  
**Double Indicator Port**



**Multiport - Multifunction**  
**Double In Port**  
**Option: Drain Port**  
**Indicator Port**



**Multiport - Multifunction**  
**Double In Port**  
**Option: Double Drain Port**

# MPT 120



**Multiport - Multifunction**  
**Triple In Port**  
**Option: Double Drain Port**

# MPT 025 - 027



**Multifunction**  
**Air breather Port plugged**  
**Indicator Port**



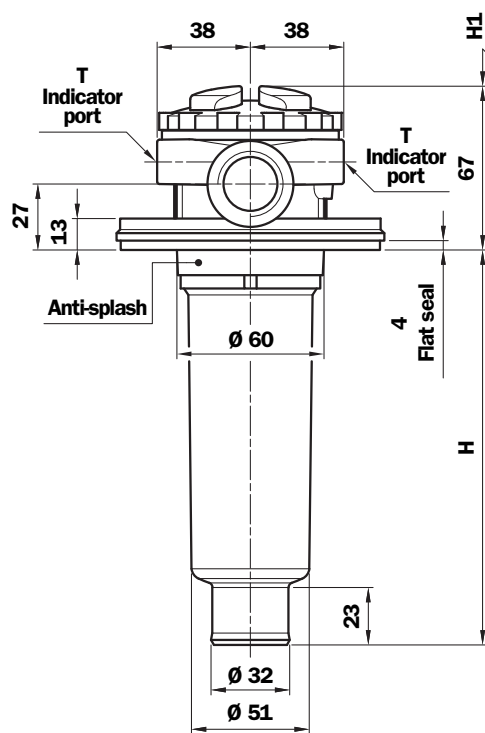
**Multifunction**  
**Air breather standard**  
**Indicator Port**



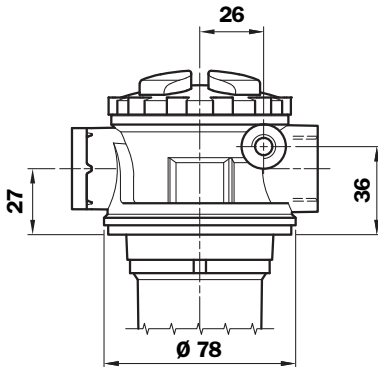
**Multifunction**  
**Air breather anti-splash & pressurized**  
**Double Indicator Port**

# Dimensions

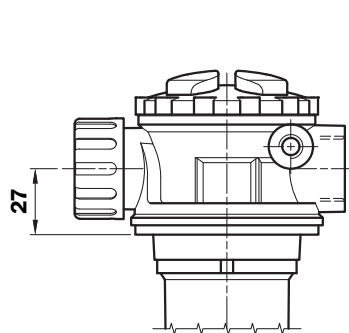
## MPT 025



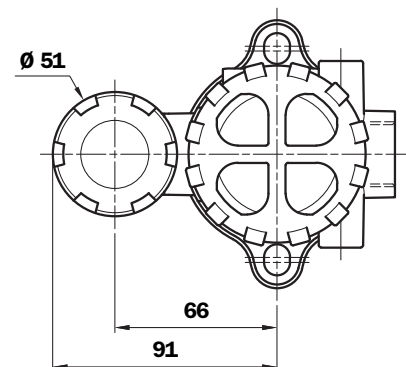
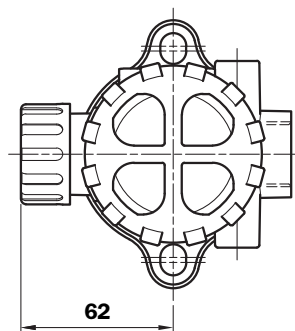
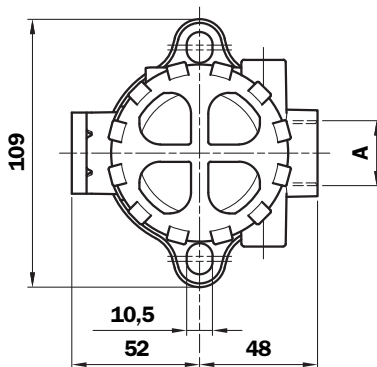
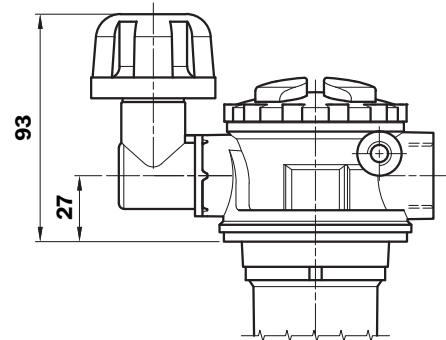
Version "S"  
Without air breather



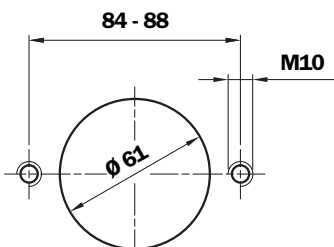
Version "C"  
With air breather



Version "D" and "P"  
Anti-splash and SAP50



### Holes on the tank

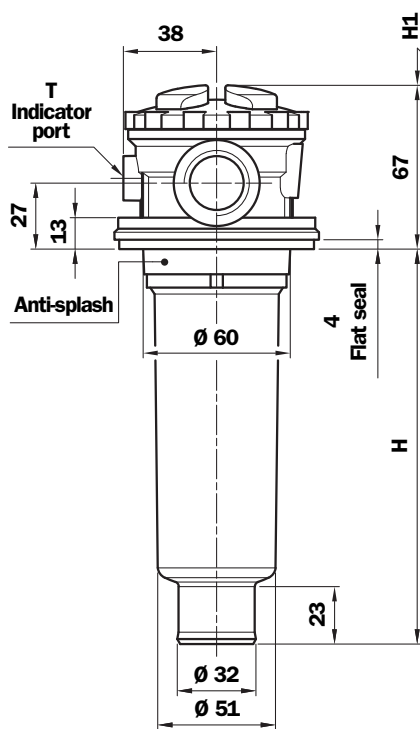


### Thread connections

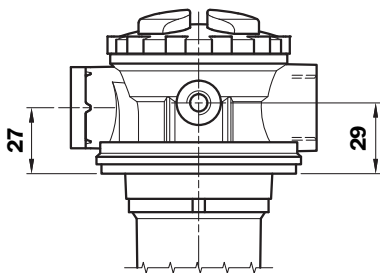
Type	A	T
G1	G 3/8"	G 1/8"
G2	G 1/2"	G 1/8"
G3	G 3/4"	G 1/8"
G4	3/8" NPT	1/8" NPT
G5	1/2" NPT	1/8" NPT
G6	3/4" NPT	1/8" NPT
G7	SAE 6 - 9/16" - 18 UNF	1/8" NPT
G8	SAE 8 - 3/4" - 16 UNF	1/8" NPT
G9	SAE 12 - 1 1/16" - 12 UN	1/8" NPT

Filter Length	H mm	H1 mm
1	99	130
2	163	195
3	202	230

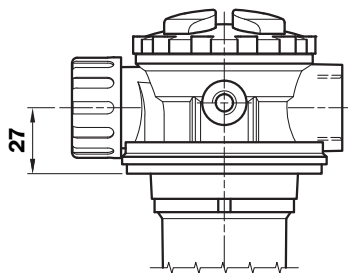
# MPT 027



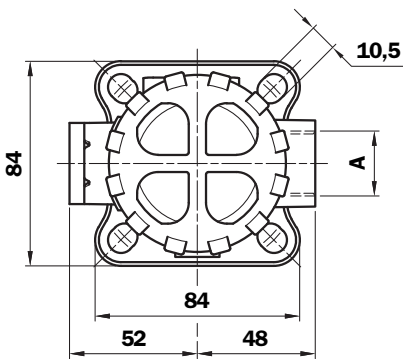
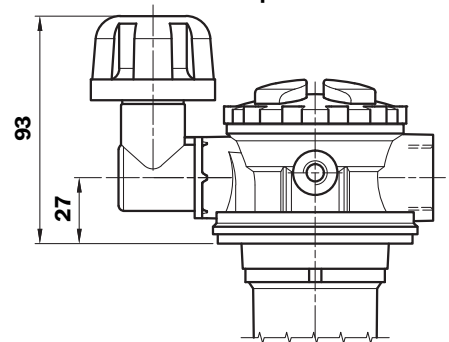
Version "S"  
Without air breather



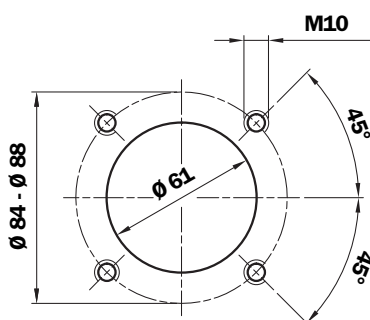
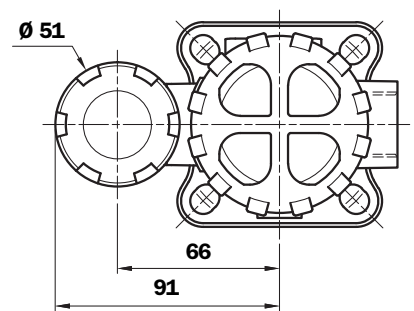
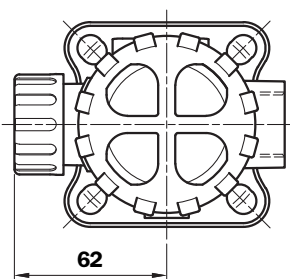
Version "C"  
With air breather



Version "D" and "P"  
Anti-splash and SAP50



Holes on the tank



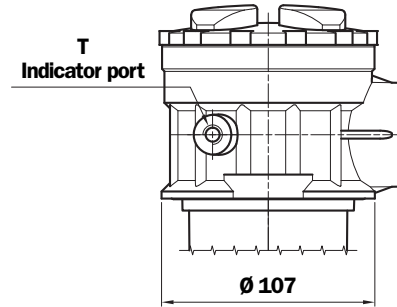
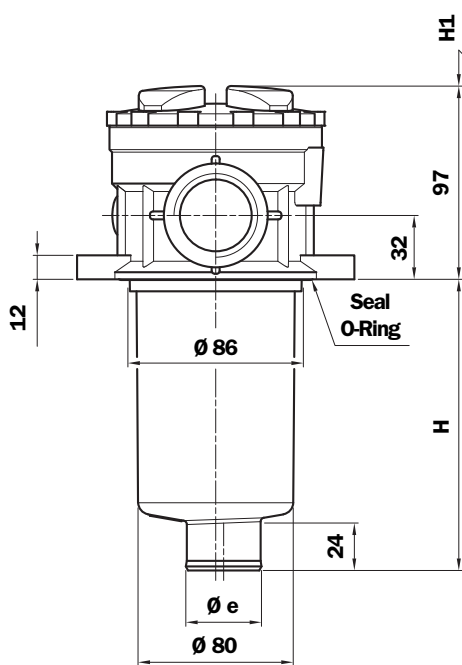
## Thread connections

Type	A	T
G1	G 3/8"	G 1/8"
G2	G 1/2"	G 1/8"
G3	G 3/4"	G 1/8"
G4	3/8" NPT	1/8" NPT
G5	1/2" NPT	1/8" NPT
G6	3/4" NPT	1/8" NPT
G7	SAE 6 - 9/16" - 18 UNF	1/8" NPT
G8	SAE 8 - 3/4" - 16 UNF	1/8" NPT
G9	SAE 12 - 1 1/16" - 12 UN	1/8" NPT

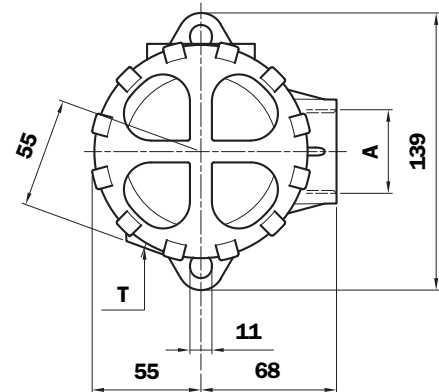
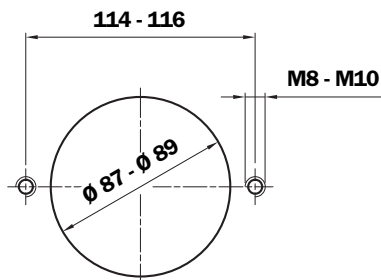
Filter Length	H mm	H1 mm
1	99	130
2	163	195
3	202	230

# MPT 101

## Without air breather



### Holes on the tank



### Thread connections

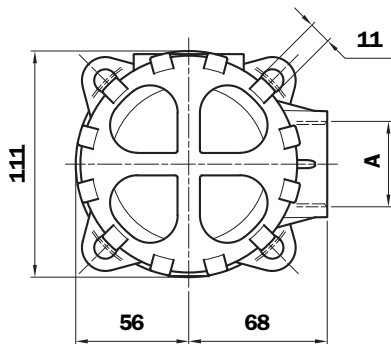
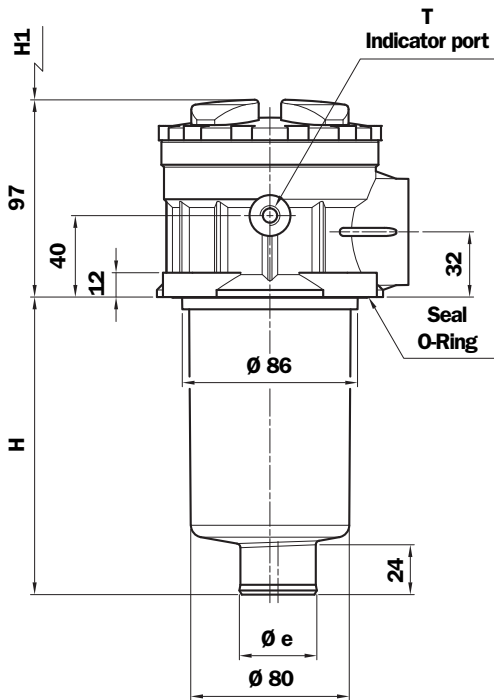
Type	A	T
G1	G 3/4"	G 1/8"
G2	G 1"	G 1/8"
G3	G 1 1/4"	G 1/8"
G4	3/4" NPT	1/8" NPT
G5	1" NPT	1/8" NPT
G6	1 1/4" NPT	1/8" NPT
G7	SAE 12 - 1 1/16" - 12 UN	1/8" NPT
G8	SAE 16 - 1 5/16" - 12 UN	1/8" NPT
G9	SAE 20 - 1 5/8" - 12 UN	1/8" NPT

T indicator port  
G 1/4" - 1/4" NPT  
ON REQUEST

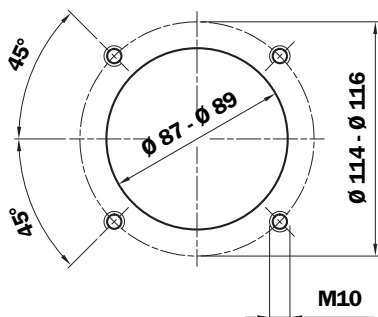
Filter Length	H mm	H1 mm	Ø e mm
1	99	120	38
2	146	170	38
3	224	250	46,5
4	326	350	46,5

# MPT 104

## Without air breather



### Holes on the tank



T indicator port  
G 1/4" - 1/4" NPT  
ON REQUEST

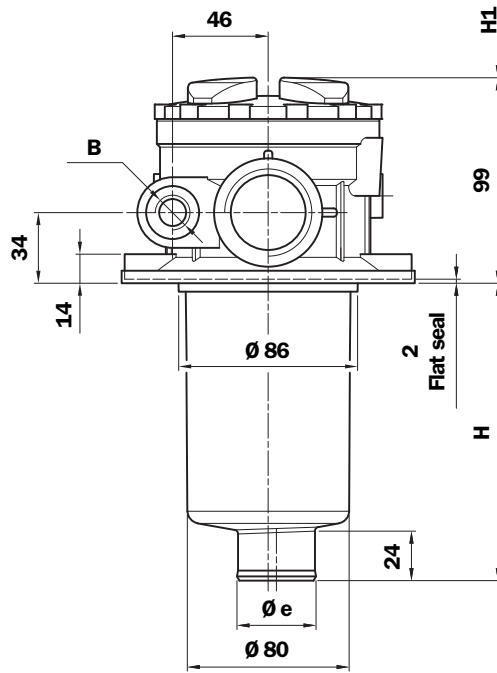
### Thread connections

Type	A	T
G1	G 3/4"	G 1/8"
G2	G 1"	G 1/8"
G3	G 1 1/4"	G 1/8"
G4	3/4" NPT	1/8" NPT
G5	1" NPT	1/8" NPT
G6	1 1/4" NPT	1/8" NPT
G7	SAE 12-1 1/16" - 12 UN	1/8" NPT
G8	SAE 16-1 5/16" - 12 UN	1/8" NPT
G9	SAE 20-1 5/8" - 12 UN	1/8" NPT

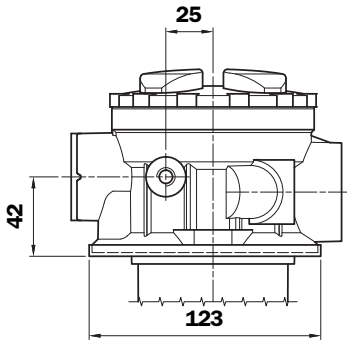
Filter Length	H mm	H1 mm	$\varnothing e$ mm
1	99	120	38
2	146	170	38
3	224	250	46,5
4	326	350	46,5



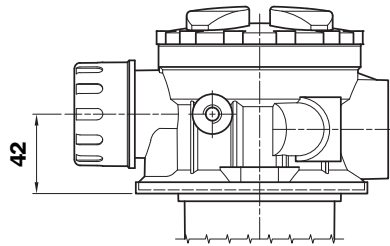
# MPT 110



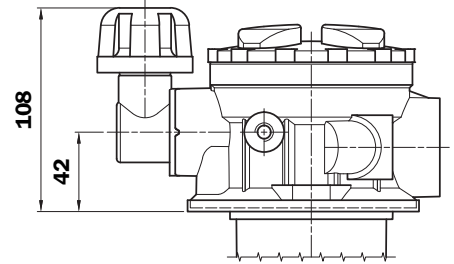
Version "S"  
Without air breather



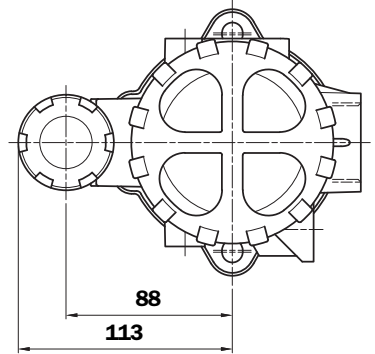
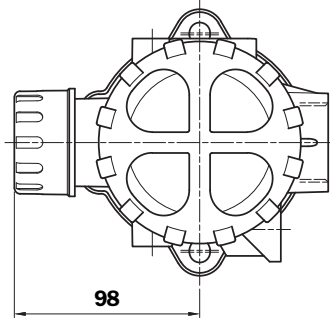
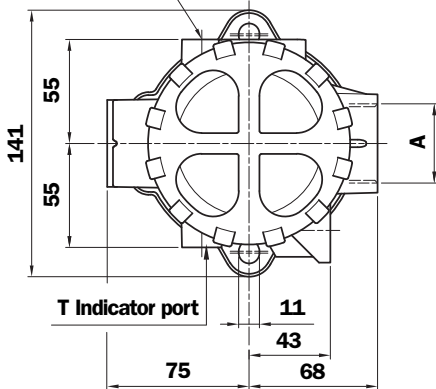
Version "C"  
With air breather



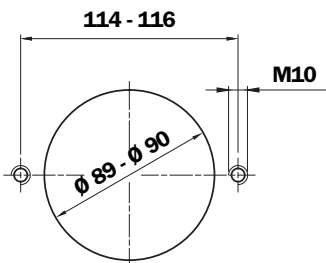
Version "D" and "P"  
Anti-splash and SAP50



T Indicator port



Holes on the tank



Filter Length	H mm	H1 mm	Ø e mm
1	97	120	38
2	144	170	38
3	222	250	46,5
4	324	350	46,5

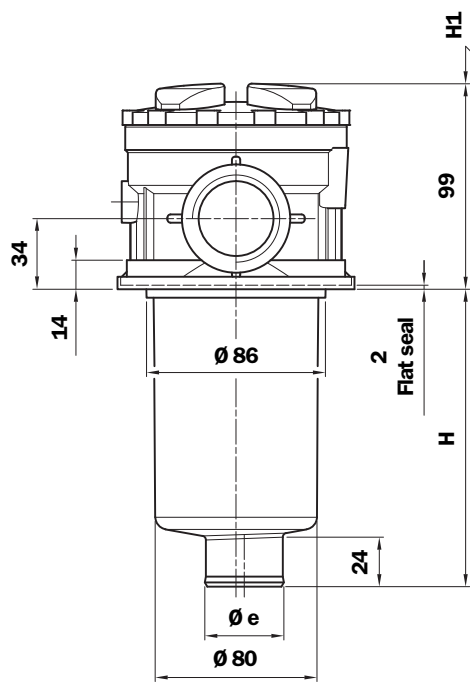
T indicator port  
G 1/4" - 1/4" NPT  
ON REQUEST

Thread connections A	Thread connections B		
	0	1	2
G1 - G2 - G3	not machined	G 3/8"	G 1/2"
G4 - G5 - G6	not machined	3/8" NPT	1/2" NPT
G7 - G8 - G9	not machined	SAE 6 - 9/16" - 18 UNF	SAE 8 - 3/4" - 16 UNF

Thread connections A

Type	A	T
G1	G 3/4"	G 1/8"
G2	G 1"	G 1/8"
G3	G 1 1/4"	G 1/8"
G4	3/4" NPT	1/8" NPT
G5	1" NPT	1/8" NPT
G6	1 1/4" NPT	1/8" NPT
G7	SAE 12 - 1 1/16" - 12 UN	1/8" NPT
G8	SAE 16 - 1 5/16" - 12 UN	1/8" NPT
G9	SAE 20 - 1 5/8" - 12 UN	1/8" NPT

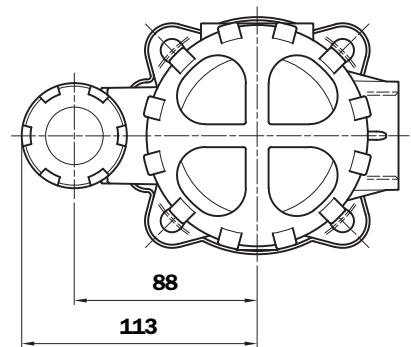
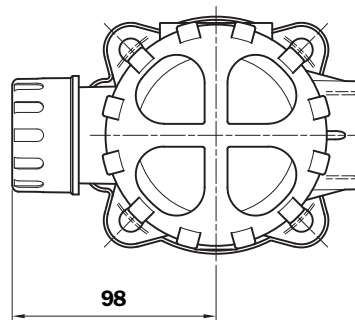
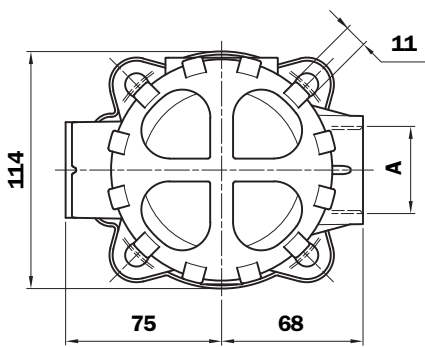
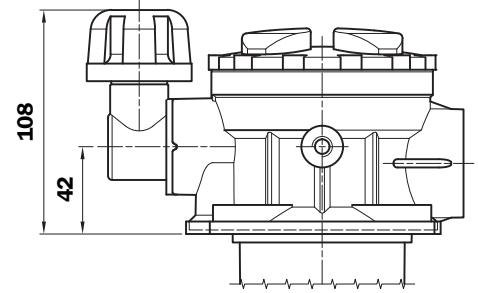
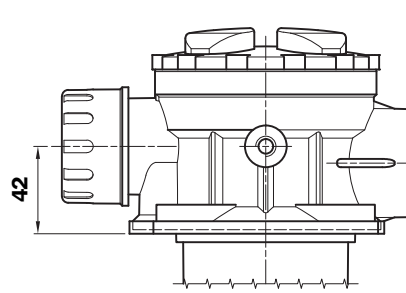
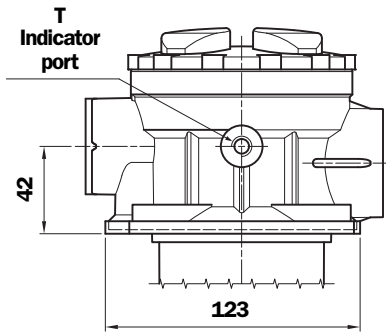
# MPT 114



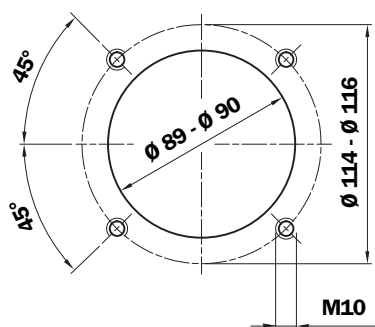
Version "S"  
Without air breather

Version "C"  
With air breather

Version "D" and "P"  
Anti-splash and SAP50



## Holes on the tank



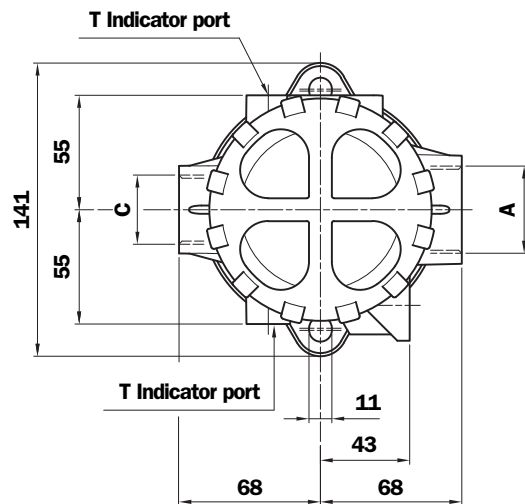
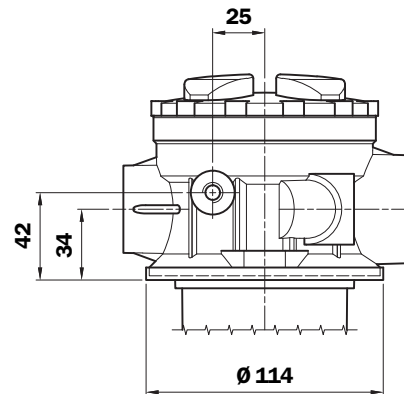
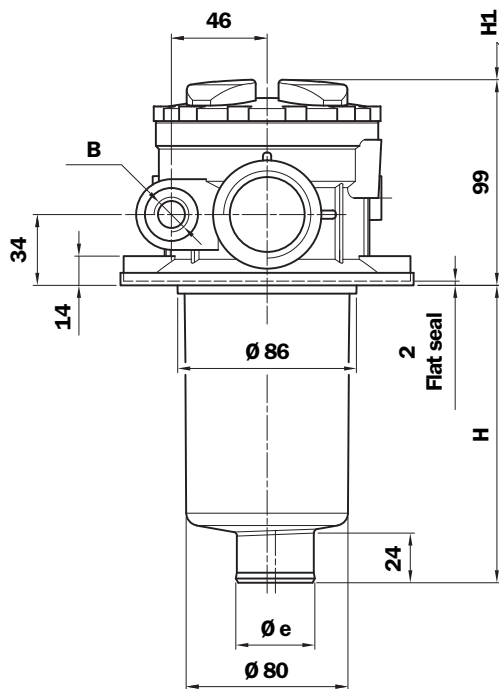
Filter Length	H mm	H1 mm	Ø e mm
1	97	120	38
2	144	170	38
3	222	250	46,5
4	324	350	46,5

T indicator port  
G 1/4" - 1/4" NPT  
ON REQUEST

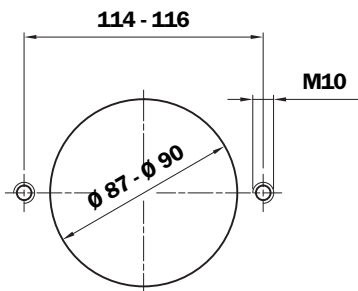
## Thread connections A

Type	A	T
G1	G 3/4"	G 1/8"
G2	G 1"	G 1/8"
G3	G 1 1/4"	G 1/8"
G4	3/4" NPT	1/8" NPT
G5	1" NPT	1/8" NPT
G6	1 1/4" NPT	1/8" NPT
G7	SAE 12 - 1 1/16" - 12 UN	1/8" NPT
G8	SAE 16 - 1 5/16" - 12 UN	1/8" NPT
G9	SAE 20 - 1 5/8" - 12 UN	1/8" NPT

# MPT 120



## Holes on the tank



## Thread connections A and C

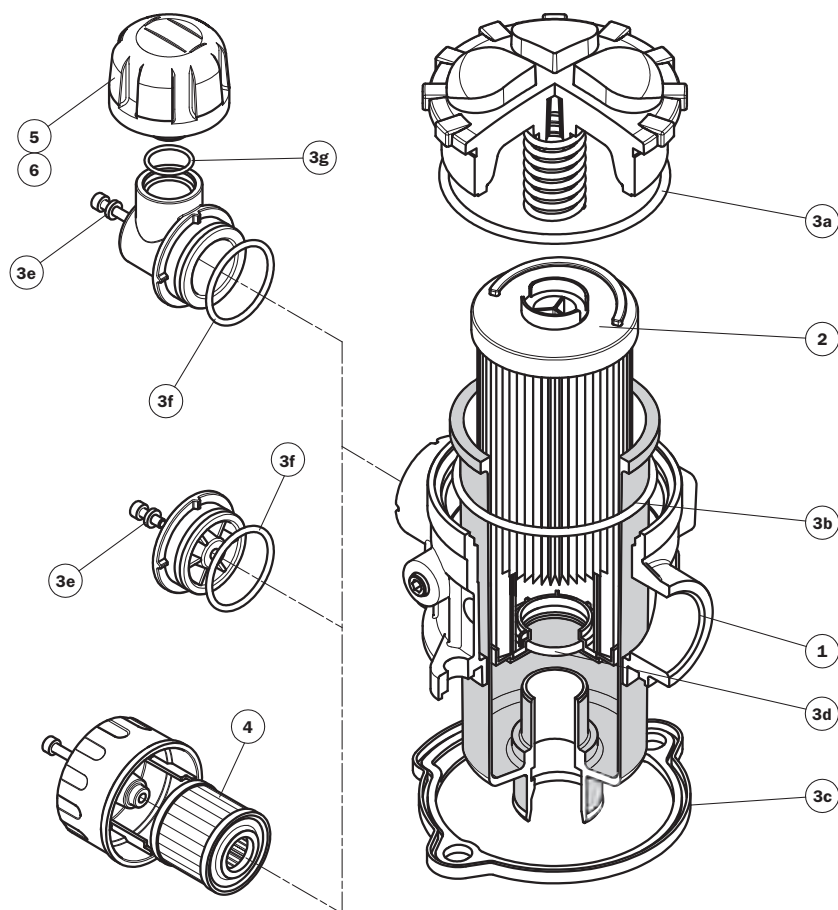
Type	A	C	T
G1	G 3/4"	G 3/4"	G 1/8"
G2	G 1"	G 1"	G 1/8"
G3	G 1 1/4"	G 3/4"	G 1/8"
G4	3/4" NPT	3/4" NPT	1/8" NPT
G5	1" NPT	1" NPT	1/8" NPT
G6	1 1/4" NPT	3/4" NPT	1/8" NPT
G7	SAE 12 - 1 1/16" - 12 UN	SAE 12 - 1 1/16" - 12 UN	1/8" NPT
G8	SAE 16 - 1 5/16" - 12 UN	SAE 16 - 1 5/16" - 12 UN	1/8" NPT
G9	SAE 20 - 1 5/8" - 12 UN	SAE 12 - 1 1/16" - 12 UN	1/8" NPT

Filter Length	H mm	H1 mm	Ø e mm
1	97	120	38
2	144	170	38
3	222	250	46,5
4	324	350	46,5

T indicator port  
G 1/4" - 1/4" NPT  
ON REQUEST

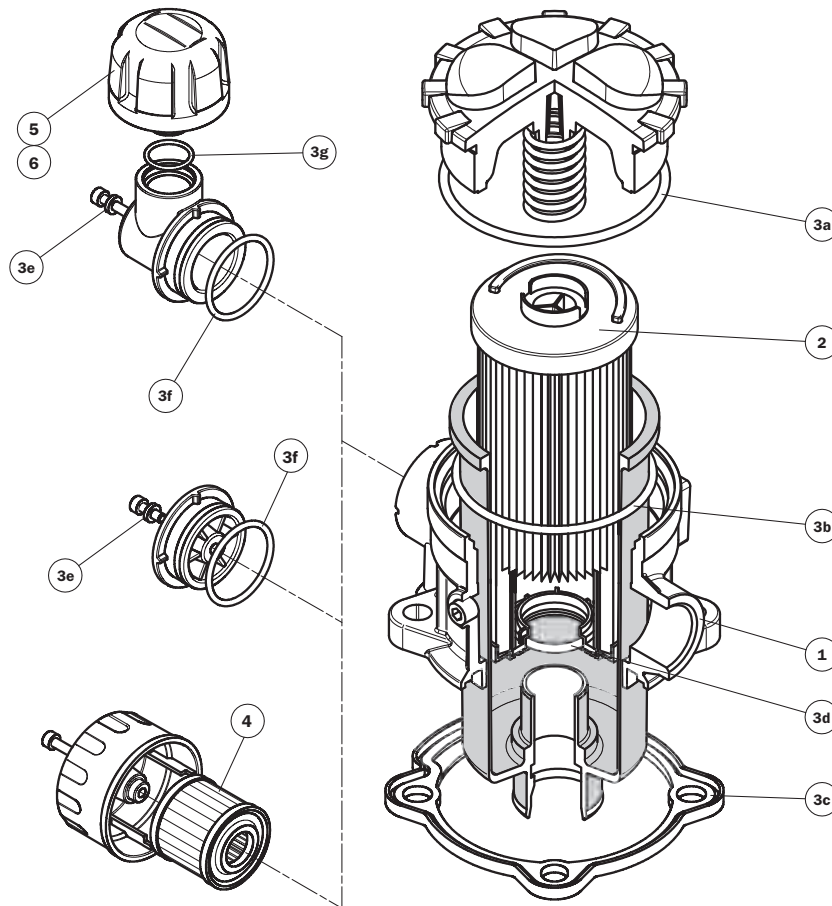
Thread connections A	Thread connections B		
	0	1	2
G1 - G2 - G3	not machined	G 3/8"	G 1/2"
G4 - G5 - G6	not machined	3/8" NPT	1/2" NPT
G7 - G8 - G9	not machined	SAE 6 - 9/16" - 18 UNF	SAE 8 - 3/4" - 16 UNF

# Spare parts



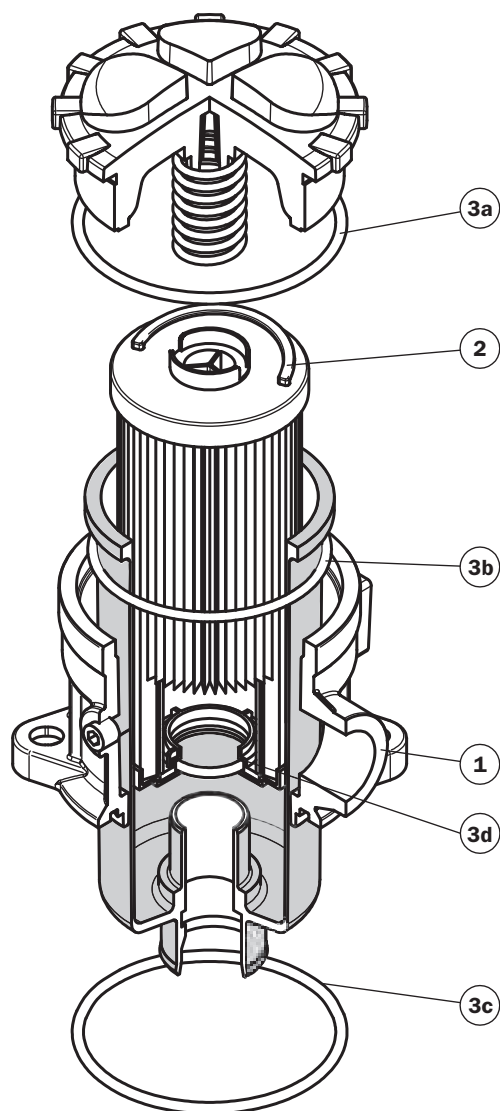
Item	Description	Q.ty	FILTER Series					
			MPT 025		MPT 027		MPT 110	
<b>1</b>	Filter assembly	1	See order table					
<b>2</b>	Filter element	1	See order table					
<b>3</b>	Seal Kit	1	NBR 02050557	FPM 02050558	NBR 02050559	FPM 02050560	NBR 02050561	FPM 02050562
<b>3a</b>	Cover seal	1	O-R Metric Ø 59 x 3		O-R Metric Ø 59 x 3		O-R Metric Ø 90 x 4	
<b>3b</b>	Bowl seal	1	O-R 3200 Ø 50,47 x 2,62		O-R 3200 Ø 50,47 x 2,62		O-R 4312 Ø 78,97 x 3,53	
<b>3c</b>	Head seal	1	01026268	01026298	01026260	01026343	01026351	01026352
<b>3d</b>	Filter element seal	1	Length 1-2 Ø 21,82 x 3,53	O-R 4087	Length 1-2 Ø 21,82 x 3,53	O-R 4087	Length 1-2 Ø 28,17 x 3,53	O-R 4112
			Length 3 Ø 20,24 x 2,62	O-R 3081	Length 3 Ø 20,24 x 2,62	O-R 3081	Length 3-4 Ø 40,86 x 3,53	O-R 4162
<b>3e</b>	Air breather screw seal	1	01026346	01026347	01026346	01026347	01026346	01026347
<b>3f</b>	Plug - Anti-splash seal	1	O-R 130 Ø 22,22 x 2,62		O-R 130 Ø 22,22 x 2,62		O-R 3131 Ø 32,99 x 2,62	
<b>3g</b>	SAP50 seal	1	O-R 2068 Ø 17,17 x 1,78		O-R 2068 Ø 17,17 x 1,78		O-R 2068 Ø 17,17 x 1,78	
<b>4</b>	Air breather filter element "C" version	1	10 micron A3L03		10 micron A3L03		10 micron A5L03	
<b>5</b>	Air breather filter element "D" version	1	10 micron SAP50G3L03A0P01		10 micron SAP50G3L03A0P01		10 micron SAP50G3L03A0P01	
<b>6</b>	Air breather filter element "P" version	1	10 micron SAP50G3L03A1P01		10 micron SAP50G3L03A1P01		10 micron SAP50G3L03A1P01	

# Spare parts

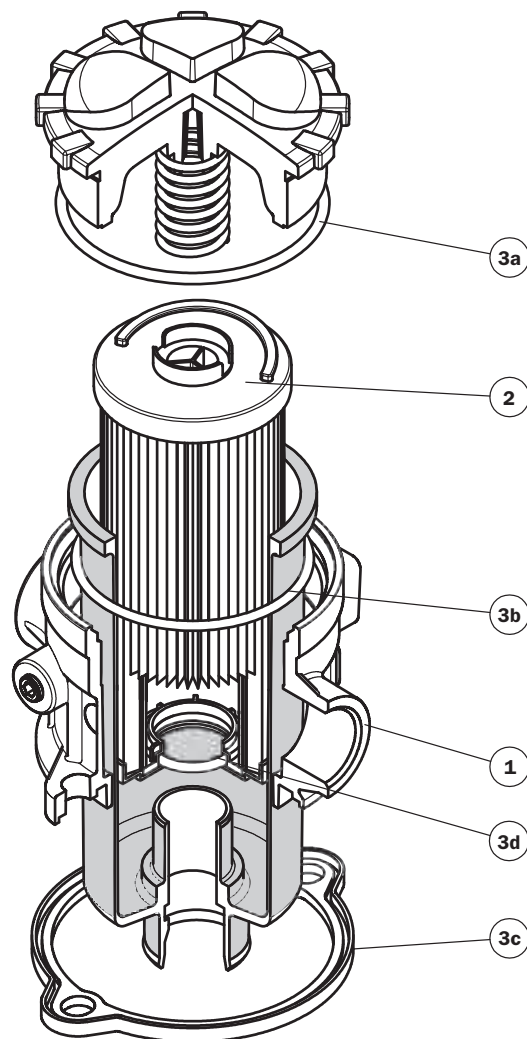


Item	Description	Q.ty	FILTER Series MPT 114	
<b>1</b>	Filter assembly	1	See order table	
<b>2</b>	Filter element	1	See order table	
<b>3</b>	Seal Kit	1	NBR 02050580	FPM 02050581
<b>3a</b>	Cover seal	1	O-R Metric Ø 90 x 4	
<b>3b</b>	Bowl seal	1	O-R 4312 Ø 78,97 x 3,53	
<b>3c</b>	Head seal	1	01026371	01026372
<b>3d</b>	Filter element seal	1	Length 1-2 Ø 28,17 x 3,53	O-R 4112
			Length 3-4 Ø 40,86 x 3,53	O-R 4162
<b>3e</b>	Air breather screw seal	1	01026346	01026347
<b>3f</b>	Plug - Anti-splash seal	1	O-R 3131 Ø 32,99 x 2,62	
<b>3g</b>	SAP50 seal	1	O-R 2068 Ø 17,17 x 1,78	
<b>4</b>	Air breather filter element "C" version	1	10 micron A5L03	
<b>5</b>	Air breather filter element "D" version	1	10 micron SAP50G3L03A0P01	
<b>6</b>	Air breather filter element "P" version	1	10 micron SAP50G3L03A1P01	

# Spare parts



Item	Description	Q.ty	FILTER Series	
			MPT 101 S / 104 S	
1	Filter assembly	1	See order table	
2	Filter element	1	See order table	
3	Seal Kit	1	NBR 02050466	FPM 02050467
3a	Cover seal	1	O-R Metric Ø 90 x 4	
3b	Bowl seal	1	O-R 4312 Ø 78,97 x 3,53	
3c	Head seal	1	O-R Metric Ø 90 x 4	
3d	Filter element seal	1	Length 1-2	O-R 4112 Ø 28,17 x 3,53
			Length 3-4	O-R 4162 Ø 40,86 x 3,53



Item	Description	Q.ty	FILTER Series MPT 120	
<b>1</b>	Filter assembly	1	See order table	
<b>2</b>	Filter element	1	See order table	
<b>3</b>	Seal Kit	1	NBR 02050563	FPM 02050564
<b>3a</b>	Cover seal	1	O-R Metric Ø 90 x 4	
<b>3b</b>	Bowl seal	1	O-R 4312 Ø 78,97 x 3,53	
<b>3c</b>	Head seal	1	01026361	01026362
<b>3d</b>	Filter element seal	1	Length 1-2	O-R 4112 Ø 28,17 x 3,53
			Length 3-4	O-R 4162 Ø 40,86 x 3,53

# Ordering information MPT 025-027-101-104-114

## Filter assembly

### MPT

	1	2	3	4	5	6	9	10
<b>Example 1: MPT</b>	<b>025</b>	<b>2</b>	<b>D</b>	<b>A</b>	<b>G3</b>	<b>A06</b>	<b>E</b>	<b>P01</b>
<b>Example 2: MPT</b>	<b>104</b>	<b>4</b>	<b>S</b>	<b>A</b>	<b>G1</b>	<b>M60</b>	<b>B</b>	<b>P01</b>

## Filter element

### MF

	1	2	6	7	8	9	10
<b>Example 1: MF</b>	<b>020</b>	<b>2</b>	<b>A06</b>	<b>H</b>	<b>B</b>	<b>E</b>	<b>P01</b>
<b>Example 2: MF</b>	<b>100</b>	<b>4</b>	<b>M60</b>	<b>N</b>	<b>B</b>		<b>P01</b>

### 1 - Style

Filter	Filter element
025	020
027	020
101	100
104	100
114	100

### 2 - Filter length

025	1	2	3	
027	1	2	3	
101	1	2	3	4
104	1	2	3	4
114	1	2	3	4

### 3 - Air breather

<b>S</b>	Without air breather
<b>C</b>	(1) With air breather 10 µ
<b>D</b>	(1) Anti-splash and SAP50 10 µ air breather
<b>P</b>	(1) Anti-splash, SAP50 10 µ air breather and pressurization 0,5 bar

(1) Excluded MPT 101 - 104

### 4 - Filter seals & Treatment

<b>A</b>	NBR
<b>V</b>	FPM
<b>W</b>	NBR, Head anodized - filter element compatible with fluid HFA, HFB, HFC (only for filter element type Axx and Mxx)
<b>Z</b>	FPM, Head anodized - filter element compatible with fluid HFA, HFB, HFC (only for filter element type Axx and Mxx)

### 5 - Connections

Type	MPT 025-027	MPT 101-104-114
G1	G 3/8"	G 3/4"
G2	G 1/2"	G 1"
G3	G 3/4"	G 1 1/4"
G4	3/8" NPT	3/4" NPT
G5	1/2" NPT	1" NPT
G6	3/4" NPT	1 1/4" NPT
G7	SAE 6 - 9/16" - 18 UNF	SAE 12 - 1 1/16" - 12 UN
G8	SAE 8 - 3/4" - 16 UNF	SAE 16 - 1 5/16" - 12 UN
G9	SAE 12 - 1 1/16" - 12 UN	SAE 20 - 1 5/8" - 12 UN

### 6 - Filter element

<b>A03</b>	Inorganic microfibre 3 µ	Absolute filtration βx(c) ≥ 1000
<b>A06</b>	Inorganic microfibre 6 µ	
<b>A10</b>	Inorganic microfibre 10 µ	
<b>A16</b>	Inorganic microfibre 16 µ	
<b>A25</b>	Inorganic microfibre 25 µ	
<b>M25</b>	Wire mesh	Nominal Filtration
<b>M60</b>	Wire mesh	
<b>M90</b>	Wire mesh	
<b>P10</b>	Resin impregnated paper	Nominal Filtration
<b>P25</b>	Resin impregnated paper	

### 7 - Δp Filter element

<b>N</b>	Δp 10 bar (only for filter element type Pxx and Mxx)
<b>H</b>	Δp 10 bar (only for filter element type Axx)
<b>W*</b>	Δp 10 bar (only for filter element type Axx and Mxx)

### 8 - Filter element seals

<b>B</b>	NBR
<b>V</b>	FPM

### 9 - By-pass valve

<b>E</b>	3 bar
<b>B</b>	1.75 bar (Omit in the element code - only for 1.75 bar)

### 10 - Option

<b>P01</b>	MP Filtri standard
------------	--------------------

\* Compatible with fluid HFA, HFB, HFC

**MP Filtri** - The filter functions as described in this bulletin are valid exclusively for original MP Filtri filter elements and replacement parts. All rights reserved

The data in this publication are purely guideline. MP Filtri reserves the right to make changes to the models described herein at any time it deems fit in relation to technical or commercial requirements. The colours of the products shown on the cover are purely guideline. Copyright. All rights reserved.



# Ordering information MPT 110-120

## Filter assembly

### MPT

	1	2	3	4	5	6	7	10	11
<b>Example 1: MPT</b>	<b>110</b>	<b>2</b>	<b>C</b>	<b>A</b>	<b>G3</b>	<b>2</b>	<b>A06</b>	<b>E</b>	<b>P01</b>
<b>Example 2: MPT</b>	<b>120</b>	<b>3</b>		<b>A</b>	<b>G3</b>	<b>1</b>	<b>P10</b>	<b>B</b>	<b>P01</b>

## Filter element

### MF

	1	2	7	8	9	10	11
<b>Example 1: MF</b>	<b>100</b>	<b>2</b>	<b>A06</b>	<b>H</b>	<b>B</b>	<b>E</b>	<b>P01</b>
<b>Example 2: MF</b>	<b>100</b>	<b>3</b>	<b>P10</b>	<b>N</b>	<b>B</b>		<b>P01</b>

### 1 - Style

Filter	Filter element
<b>110</b>	<b>100</b>
<b>120</b>	<b>100</b>

### 2 - Filter length

<b>110</b>	<b>1</b>	<b>2</b>	<b>3</b>	<b>4</b>
<b>120</b>	<b>1</b>	<b>2</b>	<b>3</b>	<b>4</b>

### 3 - Air breather (omit for MPT 120)

<b>S</b>	Without air breather
<b>C</b>	With air breather 10 $\mu$
<b>D</b>	Anti-splash and SAP50 10 $\mu$ air breather
<b>P</b>	Anti-splash and SAP50 10 $\mu$ air breather pressurization 0,5 bar

### 4 - Filter seals & Treatment

<b>A</b>	NBR
<b>V</b>	FPM
<b>W</b>	NBR, Head anodized - filter element compatible with fluid HFA, HFB, HFC (only for filter element type Axx and Mxx)
<b>Z</b>	FPM, Head anodized - filter element compatible with fluid HFA, HFB, HFC (only for filter element type Axx and Mxx)

### 5 - Connections A - C

#### MPT 110 Connections A MPT 120 Connections A and C

Type	A	C
<b>G1</b>	G 3/4"	G 3/4"
<b>G2</b>	G 1"	G 1"
<b>G3</b>	G 1 1/4"	G 3/4"
<b>G4</b>	3/4" NPT	3/4" NPT
<b>G5</b>	1" NPT	1" NPT
<b>G6</b>	1 1/4" NPT	3/4" NPT
<b>G7</b>	SAE 12 - 1 1/16" - 12 UN	SAE 12 - 1 1/16" - 12 UN
<b>G8</b>	SAE 16 - 1 5/16" - 12 UN	SAE 16 - 1 5/16" - 12 UN
<b>G9</b>	SAE 20 - 1 5/8" - 12 UN	SAE 12 - 1 1/16" - 12 UN

### 6 - Connections B

Type	Connections A		
	G1 - G2 - G3	G4 - G5 - G6	G7 - G8 - G9
<b>0</b>	not machined	not machined	not machined
<b>1</b>	G 3/8"	3/8" NPT	SAE 6 - 9/16" - 18 UNF
<b>2</b>	G 1/2"	1/2" NPT	SAE 8 - 3/4" - 16 UNF

### 7 - Filter element

<b>A03</b>	Inorganic microfibre 3 $\mu$	Absolute filtration $\delta x (c) \geq 1000$
<b>A06</b>	Inorganic microfibre 6 $\mu$	
<b>A10</b>	Inorganic microfibre 10 $\mu$	
<b>A16</b>	Inorganic microfibre 16 $\mu$	
<b>A25</b>	Inorganic microfibre 25 $\mu$	
<b>M25</b>	Wire mesh	Nominal Filtration
<b>M60</b>	Wire mesh	
<b>M90</b>	Wire mesh	
<b>P10</b>	Resin impregnated paper	Nominal Filtration
<b>P25</b>	Resin impregnated paper	

### 8 - $\Delta p$ Filter element

<b>N</b>	$\Delta p$ 10 bar (only for filter element type Pxx and Mxx)
<b>H</b>	$\Delta p$ 10 bar (only for filter element type Axx)
<b>W*</b>	$\Delta p$ 10 bar (only for filter element type Axx and Mxx)

### 9 - Filter element seals

<b>B</b>	NBR
<b>V</b>	FPM

### 10 - By-pass valve

<b>E</b>	3 bar
<b>B</b>	1.75 bar (Omit in the element code - only for 1.75 bar)

### 11 - Option

<b>P01</b>	MP Filtri standard
------------	--------------------

\* Compatible with fluid HFA, HFB, HFC

**MP Filtri** - The filter functions as described in this bulletin are valid exclusively for original MP Filtri filter elements and replacement parts. All rights reserved

The data in this publication are purely guideline. MP Filtri reserves the right to make changes to the models described herein at any time it deems fit in relation to technical or commercial requirements. The colours of the products shown on the cover are purely guideline. Copyright. All rights reserved.