

# MPH



**Maximum pressure 10 bar**  
**Flow rates to 3000 l/min**

## Filter housing (Materials)

- Head: Aluminium: MPH 104-110-114-120-250  
Anodised Aluminium: MPH 630-850  
Painted Aluminium: MPH 660
- Cover: Nylon: MPH 104-110-114-120  
Aluminium: MPH 250  
Anodised Aluminium: MPH 630  
Painted Aluminium: MPH 660  
Steel: MPH 850
- Insert assembly: Nylon (only for: MPH 104-110-114-120)  
Aluminium (all the other)
- Diffuser: Zinc Plated Steel (excluded MPH 850)  
Tinned Steel: MPH 850
- Valve: Phosphated Steel

## Pressure

- Working pressure: 10 bar

## Temperature

- From -25 °C to +110 °C

## Bypass valve

- Opening pressure 1,75 bar ±10%
- Opening pressure 2,5 bar ±10% (excluded for MPH 850)

## Δp Elements type

- Series MR elements: 10 bar
- Oil flow from inside to outside.

## Seals

- Standard NBR series A
- Optional FPM series V

## MPH FILTERS ARE PROVIDED FOR VERTICAL MOUNTING

### Weights (kg)

Length	1	2	3	4	5
• MPH 104-110	1,60	1,70	1,80	2,20	2,60
• MPH 114-120	1,60	1,70	1,80	2,20	2,60
• MPH 250	3,60	3,90	4,20	5,60	-
• MPH 630	6,50	7,00	7,40	8,50	10,50
• MPH 660	-	-	-	11,5	14
• MPH 850	32	35	38	42	-

### Volumes (dm<sup>3</sup>)

Length	1	2	3	4	5
• MPH 104-110	1,60	1,70	1,80	2,20	2,60
• MPH 114-120	1,60	1,70	1,80	2,20	2,60
• MPH 250	4,40	4,40	5,40	8,00	-
• MPH 630	7,30	9,00	11,0	13	19,2
• MPH 660	-	-	-	14,6	21
• MPH 850	13	16,5	21	25	-

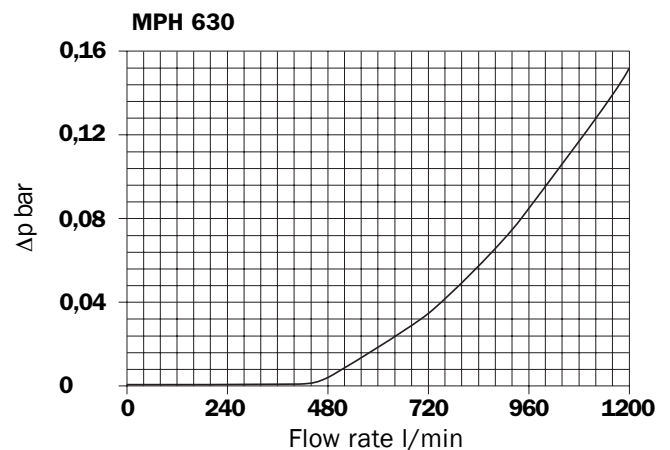
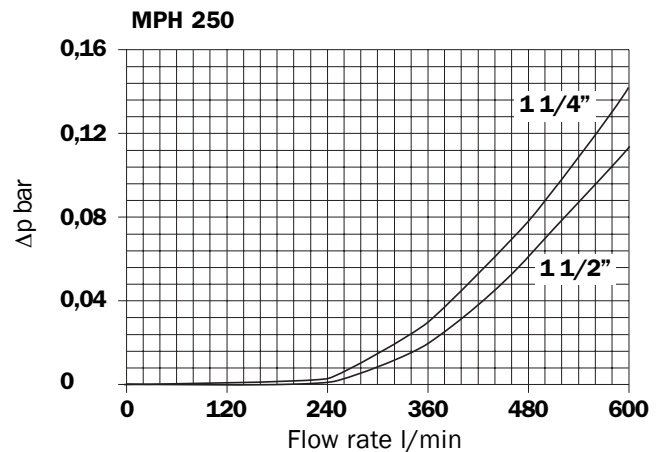
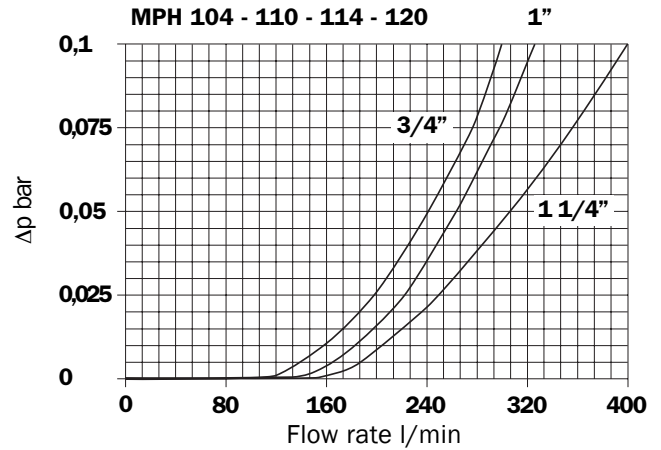
## Compatibility (to ISO 2943)

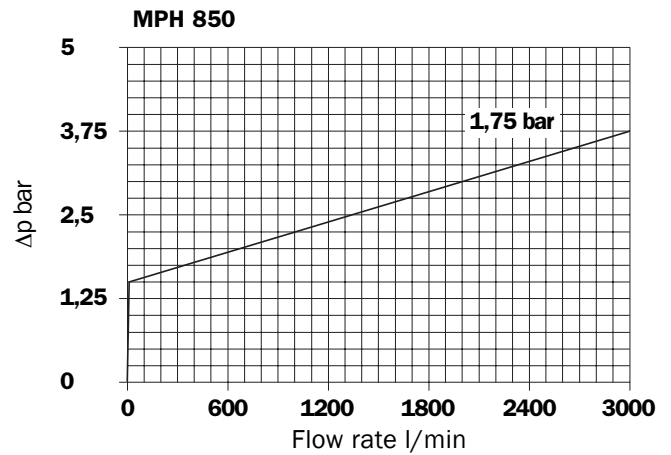
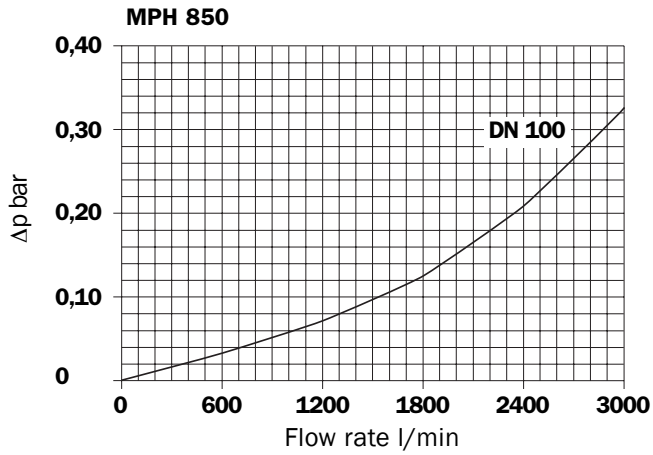
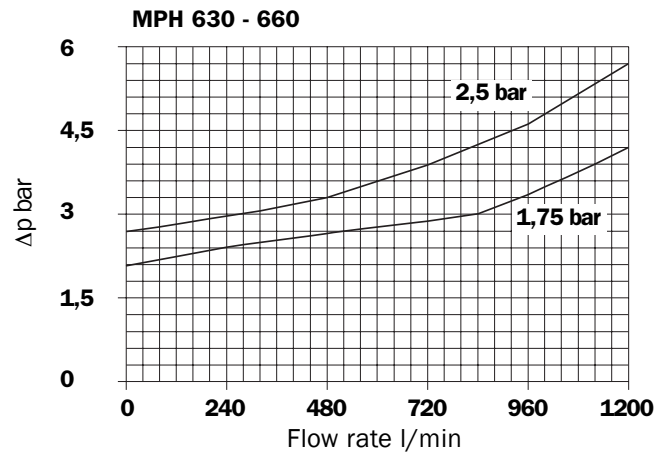
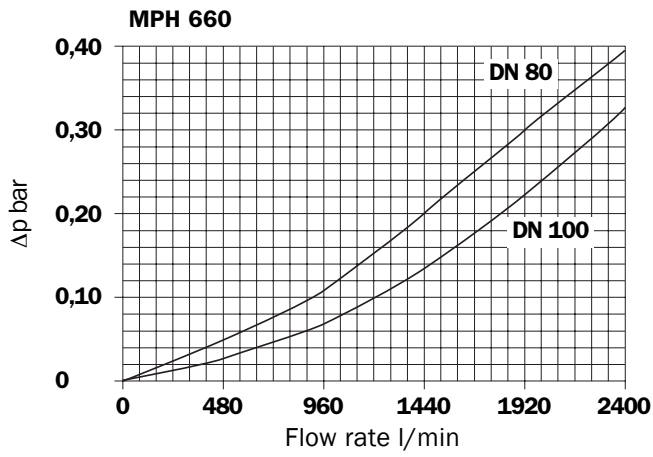
- Housings/Diffuser compatible with:  
Mineral oils, synthetic fluids.  
Aqueous emulsions, water and glycol (series W required).
- The filter elements are compatible with:  
Mineral oils, synthetic fluids.  
Aqueous emulsions, water and glycol (series W required).
- NBR seals series A, compatible with:  
Mineral oils, synthetic fluids.  
Aqueous emulsions, water and glycol.
- FPM seals V series, compatible with:  
Synthetic fluids type HS-HFDR-HFDS-HFDU

## Filter housings Δp pressure drop

The curves are plotted utilising mineral oil with density of 0.86 kg/dm<sup>3</sup> to ISO 3968.

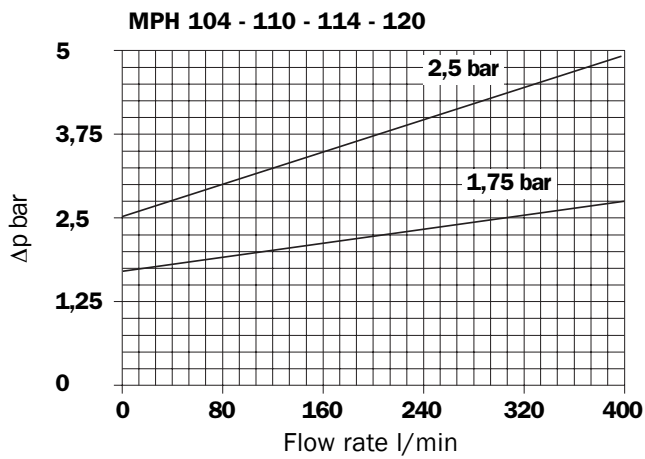
Δp varies proportionally with density.





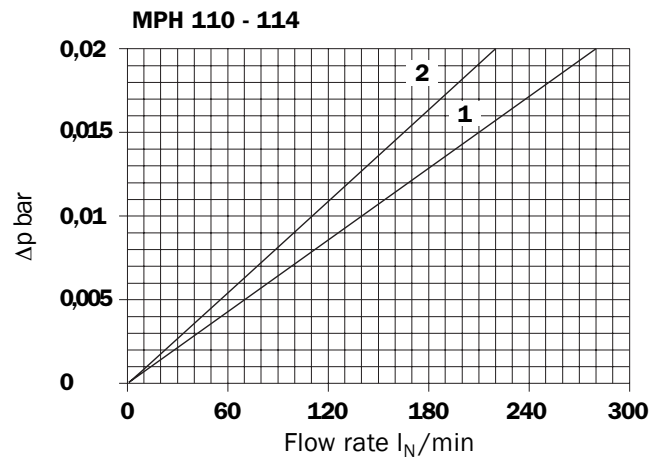
**Valves**

**Bypass valve pressure drop**

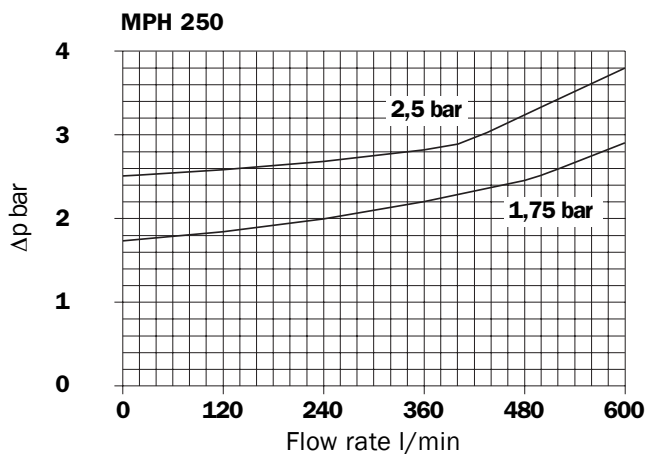


**Air breather**

**Pressure drop**



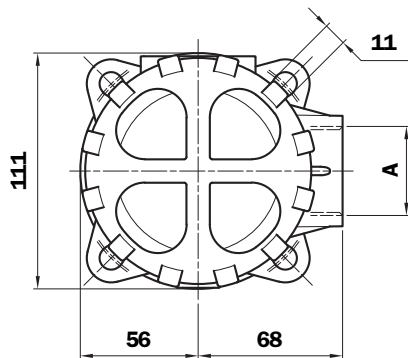
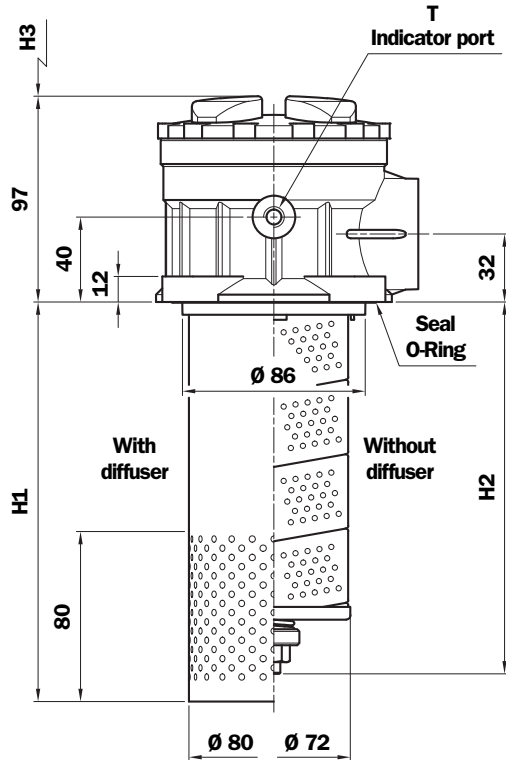
- 1: C With air breather 10  $\mu$
- 2: D With anti-splash and SAP50 10  $\mu$



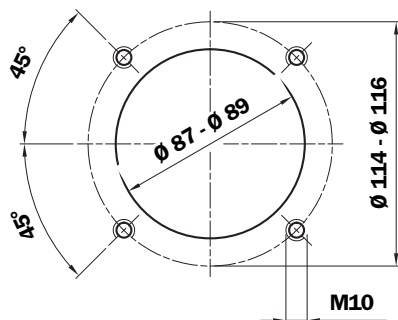


# Dimensions

## MPH 104 Without air breather



### Holes on the tank

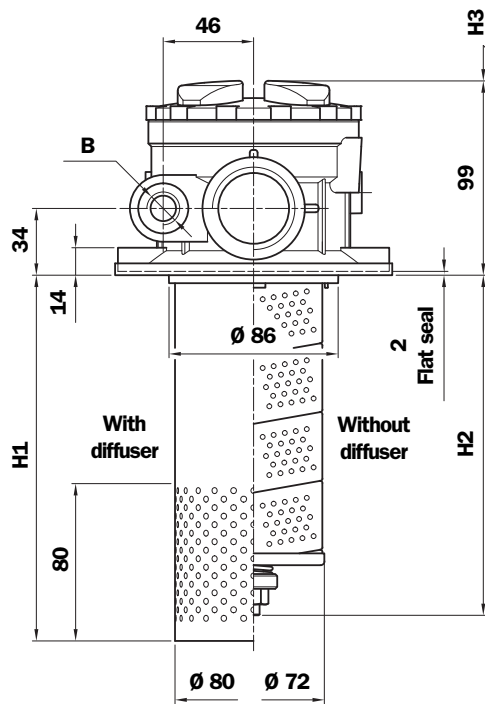


### Thread connections

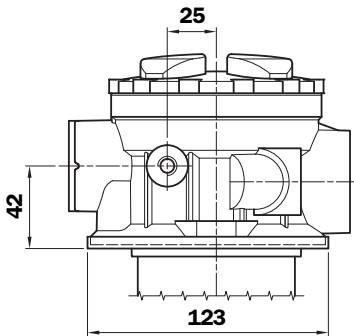
Type	A	T
G1	G 3/4"	G 1/8"
G2	G 1"	G 1/8"
G3	G 1 1/4"	G 1/8"
G4	3/4" NPT	1/8" NPT
G5	1" NPT	1/8" NPT
G6	1 1/4" NPT	1/8" NPT
G7	SAE 12 - 1 1/6" - 12 UN	1/8" NPT
G8	SAE 16 - 1 5/16" - 12 UN	1/8" NPT
G9	SAE 20 - 1 5/8" - 12 UN	1/8" NPT

Filter Length	H1 mm	H2 mm	H3 mm
1	190	131	255
2	190	175	255
3	240	225	305
4	340	325	405
5	440	425	505

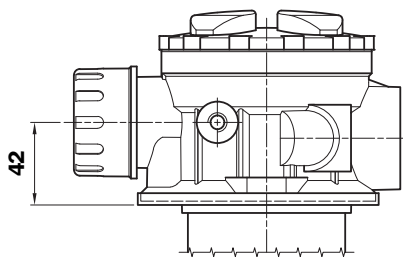
# MPH 110



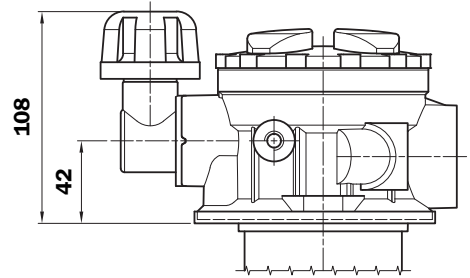
Version "S"  
Without air breather



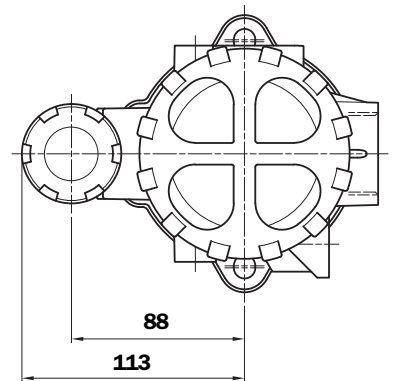
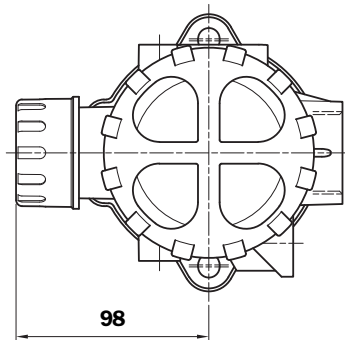
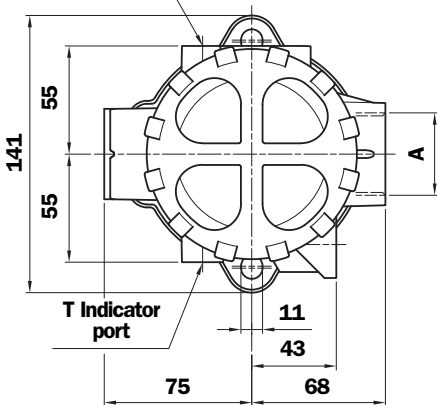
Version "C"  
With air breather



Version "D" and "P"  
Anti-splash and SAP50

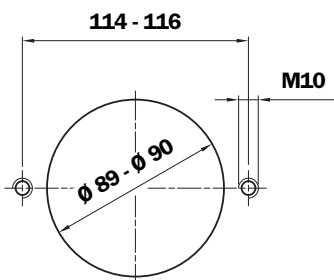


T Indicator port



T indicator port  
G 1/4" - 1/4" NPT  
ON REQUEST

Holes on the tank



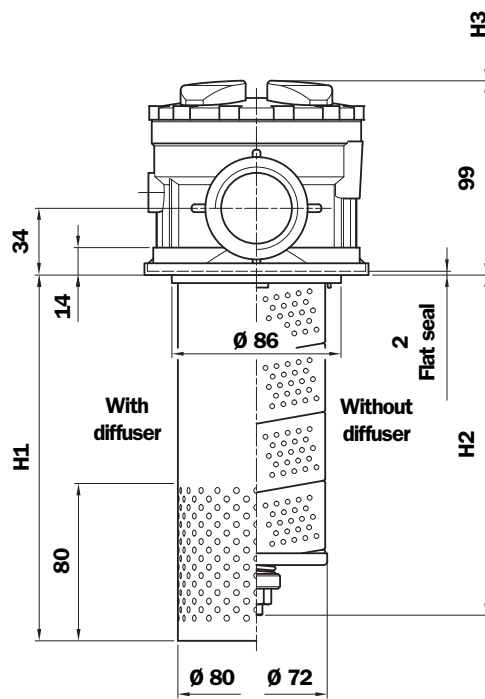
Thread connections A

Type	A	T
G1	G 3/4"	G 1/8"
G2	G 1"	G 1/8"
G3	G 1 1/4"	G 1/8"
G4	3/4" NPT	1/8" NPT
G5	1" NPT	1/8" NPT
G6	1 1/4" NPT	1/8" NPT
G7	SAE 12 - 1 1/16" - 12 UN	1/8" NPT
G8	SAE 16 - 1 5/16" - 12 UN	1/8" NPT
G9	SAE 20 - 1 5/8" - 12 UN	1/8" NPT

Filter Length	H1 mm	H2 mm	H3 mm
1	188	129	255
2	188	173	255
3	238	223	305
4	338	323	405
5	438	423	505

Thread connections A	Thread connections B		
	0	1	2
G1 - G2 - G3	not machined	G 3/8"	G 1/2"
G4 - G5 - G6	not machined	3/8" NPT	1/2" NPT
G7 - G8 - G9	not machined	SAE 6 - 9/16" - 18 UNF	SAE 8 - 3/4" - 16 UNF

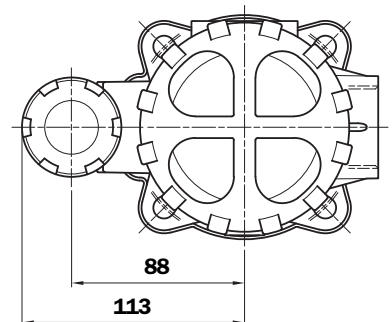
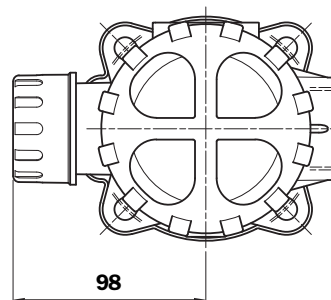
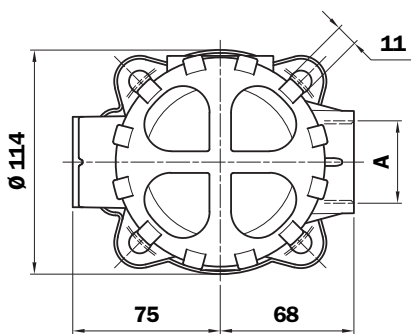
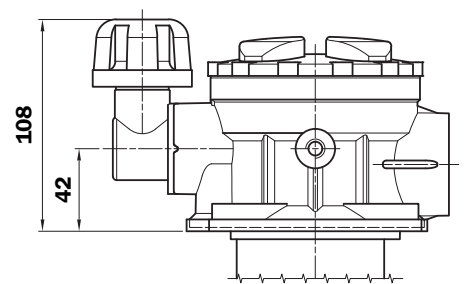
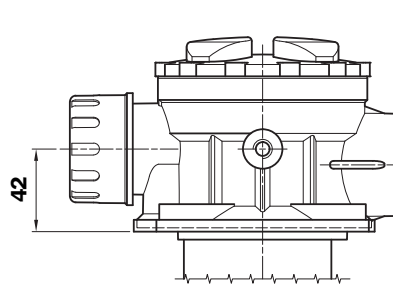
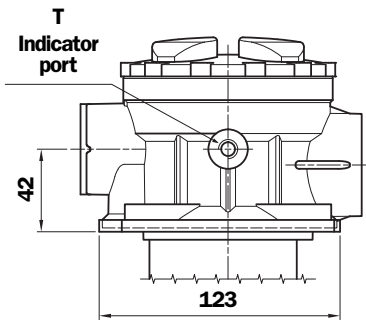
# MPH 114



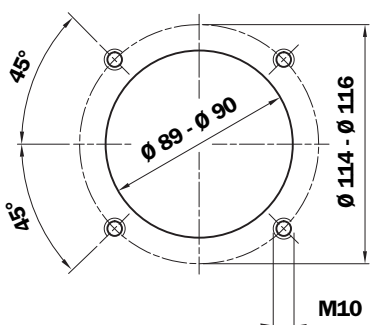
**Version "S"**  
Without air breather

**Version "C"**  
With air breather

**Version "D" and "P"**  
Anti-splash and SAP50



## Holes on the tank



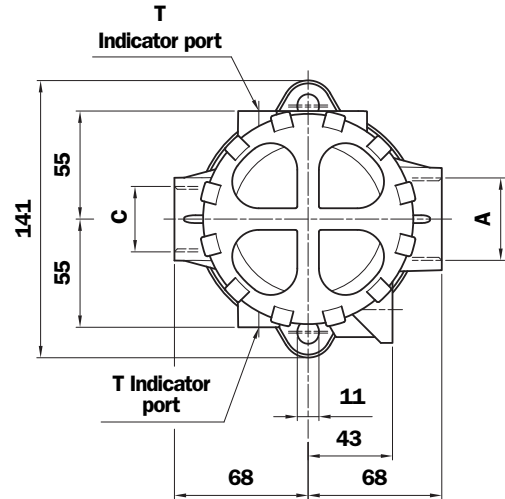
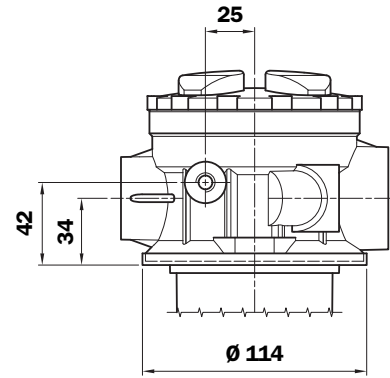
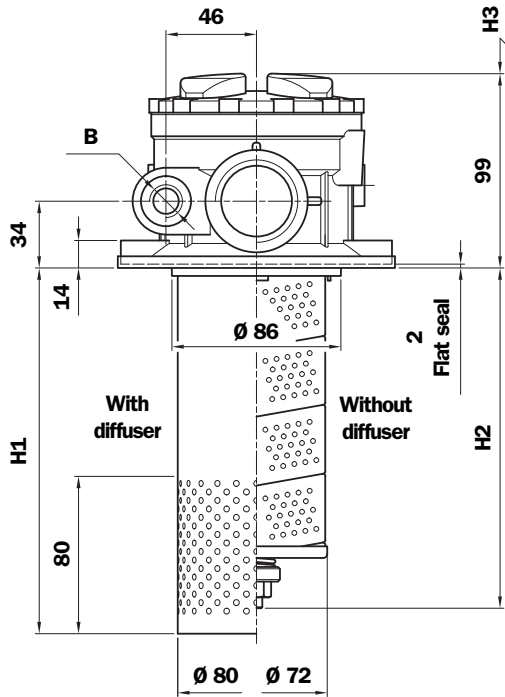
T indicator port  
G 1/4" - 1/4" NPT  
ON REQUEST

Filter Length	H1 mm	H2 mm	H3 mm
1	188	129	255
2	188	173	255
3	238	223	305
4	338	323	405
5	438	423	505

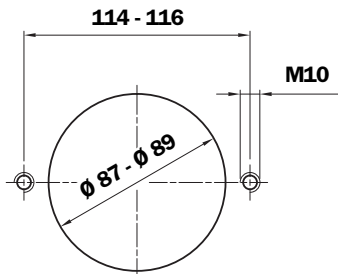
## Thread connections A

Type	A	T
G1	G 3/4"	G 1/8"
G2	G 1"	G 1/8"
G3	G 1 1/4"	G 1/8"
G4	3/4" NPT	1/8" NPT
G5	1" NPT	1/8" NPT
G6	1 1/4" NPT	1/8" NPT
G7	SAE 12 - 1 1/16" - 12 UN	1/8" NPT
G8	SAE 16 - 1 5/16" - 12 UN	1/8" NPT
G9	SAE 20 - 1 5/8" - 12 UN	1/8" NPT

# MPH 120



## Holes on the tank



## Thread connections A and C

Type	A	C	T
G1	G 3/4"	G 3/4"	G 1/8"
G2	G 1"	G 1"	G 1/8"
G3	G 1 1/4"	G 3/4"	G 1/8"
G4	3/4" NPT	3/4" NPT	1/8" NPT
G5	1" NPT	1" NPT	1/8" NPT
G6	1 1/4" NPT	3/4" NPT	1/8" NPT
G7	SAE 12 - 1 1/16" - 12 UN	SAE 12 - 1 1/16" - 12 UN	1/8" NPT
G8	SAE 16 - 1 5/16" - 12 UN	SAE 16 - 1 5/16" - 12 UN	1/8" NPT
G9	SAE 20 - 1 5/8" - 12 UN	SAE 12 - 1 1/16" - 12 UN	1/8" NPT

Filter Length	H1 mm	H2 mm	H3 mm
1	188	129	255
2	188	173	255
3	238	223	305
4	338	323	405
5	438	423	505

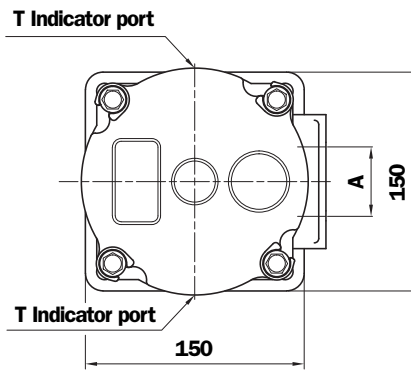
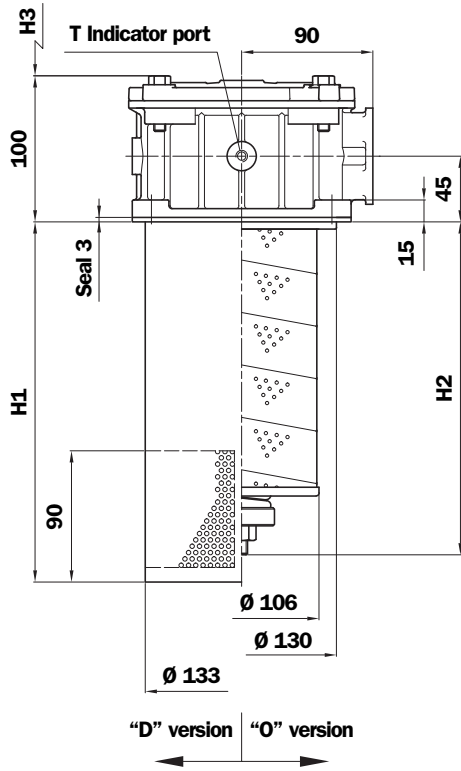
T indicator port  
G 1/4" - 1/4" NPT  
ON REQUEST

Thread connections A	Thread connections B		
	0	1	2
G1 - G2 - G3	not machined	G 3/8"	G 1/2"
G4 - G5 - G6	not machined	3/8" NPT	1/2" NPT
G7 - G8 - G9	not machined	SAE 6 - 9/16" - 18 UNF	SAE 8 - 3/4" - 16 UNF

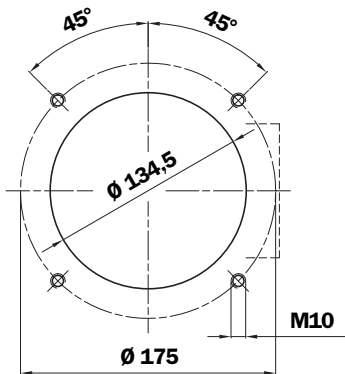


# MPH 250

## 1 connection port

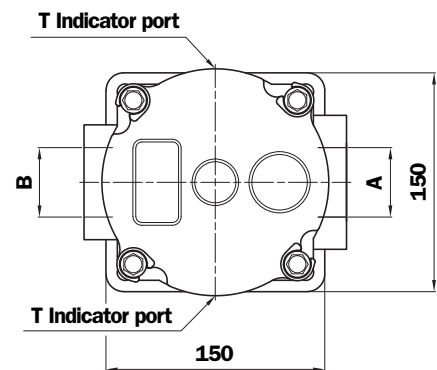
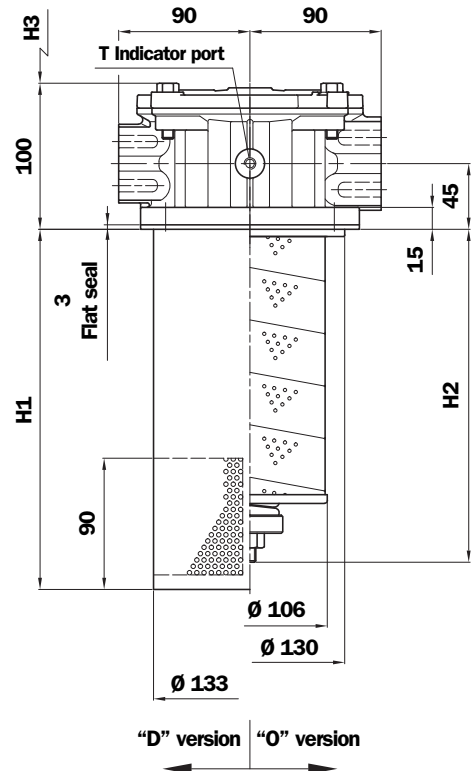


Holes on the tank

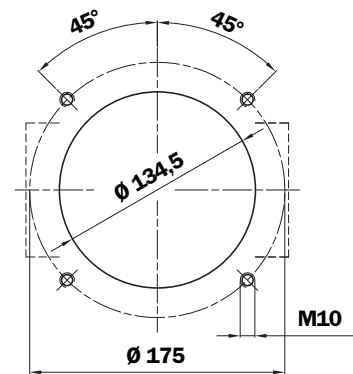


# MPH 250

## 2 connection port



Holes on the tank



### Thread connections

Type	A	B	T
G1	G 1 1/2"	-	G 1/8"
G2	G 1 1/2"	G 1 1/4"	G 1/8"
G4	1 1/2" NPT	-	1/8" NPT
G5	1 1/2" NPT	1 1/4" NPT	1/8" NPT
G7	SAE 24 - 1 7/8" - 12 UN	-	1/8" NPT
G8	SAE 24 - 1 7/8" - 12 UN	SAE 20 - 1 5/8" - 12 UN	1/8" NPT

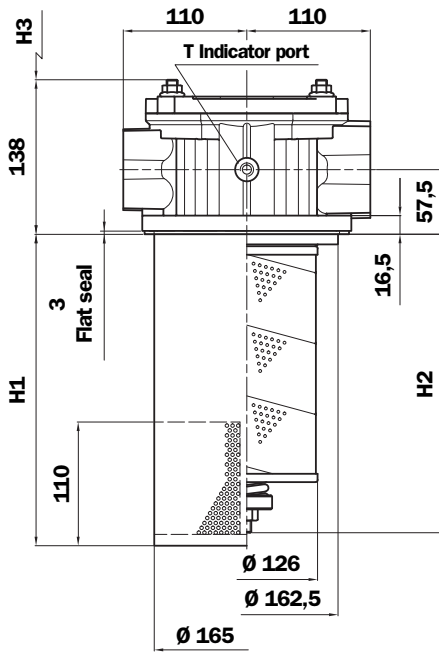
Filter Length	H1 mm	H2 mm	H3 mm
1	247	182	255
2	247	231	305
3	317	302	375
4	507	502	580

### Flange connections\*

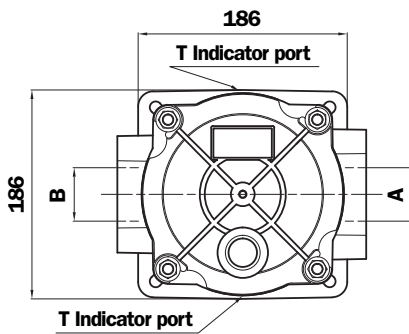
Type	A	B	T
F1	1 1/2" SAE 3000 psi/M	-	G 1/8"
F2	1 1/2" SAE 3000 psi/M	1 1/4" SAE 3000 psi/M	G 1/8"
F3	1 1/2" SAE 3000 psi/UNC	-	1/8" NPT
F4	1 1/2" SAE 3000 psi/UNC	1 1/4" SAE 3000 psi/UNC	1/8" NPT

\*Connections table "DN - SAE flange" see page 5

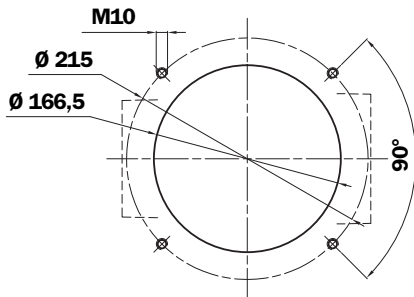
# MPH 630



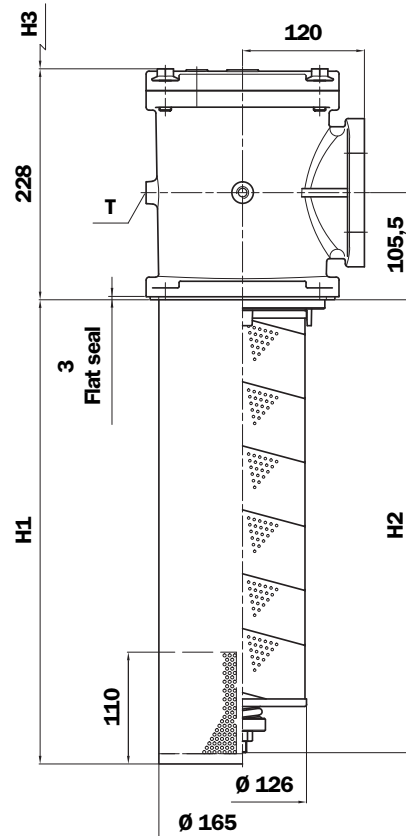
“D” version “O” version



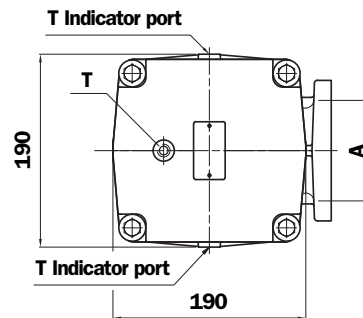
Holes on the tank



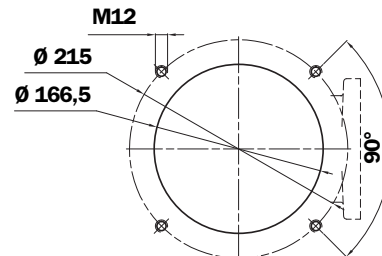
# MPH 660



“D” version “O” version



Holes on the tank



## MPH 660

Filter Length	H1 mm	H2 mm	H3 mm
4	548	538	610
5	848	838	910

## MPH 660

Flange connections\*

Type	A	T
F1	3" SAE 3000 psi/M	G 1/8"
F2	4" SAE 3000 psi/M	G 1/8"

\*Connections table "DN - SAE flange" see page 5

## MPH 630

Filter Length	H1 mm	H2 mm	H3 mm
1	278	260	330
2	358	340	410
3	458	440	510
4	548	528	600
5	848	829	900

## MPH 630

Flange connections\*

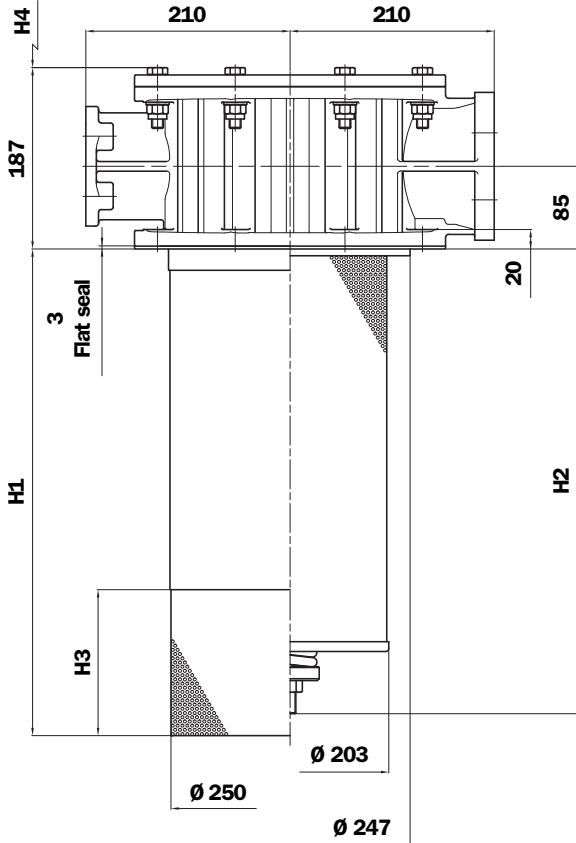
Type	A	B	T
F1	2 1/2" SAE 3000 psi/M	not machined	G 1/8"
F2	2 1/2" SAE 3000 psi/M	2" SAE 3000 psi/M	G 1/8"
F3	2 1/2" SAE 3000 psi/UNC	not machined	1/8" NPT
F4	2 1/2" SAE 3000 psi/UNC	2" SAE 3000 psi/UNC	1/8" NPT

\*Connections table "DN - SAE flange" see page 5

# MPH 850

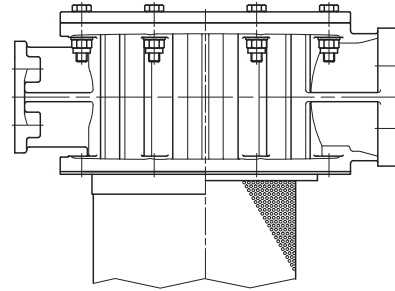
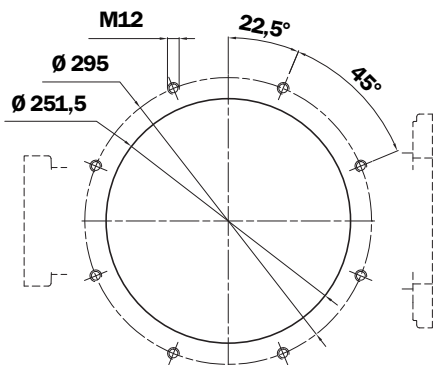
## Connection type F1 - F3 (DN - SAE)

## Connection type F5 - F6 - F7 - F8 (SAE - SAE)

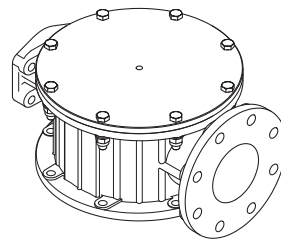


“D” version “O” version

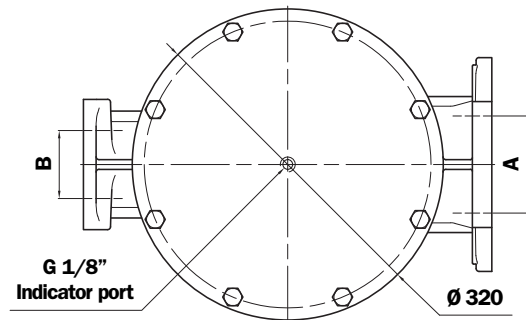
### Holes on the tank



Indicative view for  
connection DN - SAE



Indicative view for  
connection SAE - SAE



### SAE - SAE Flange connections\*

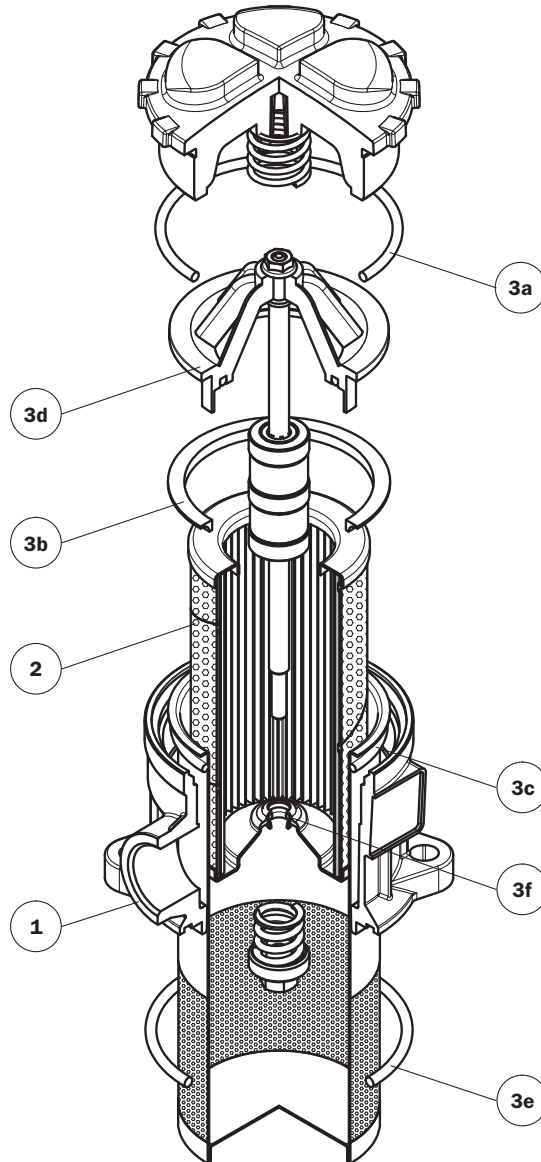
Type	A	B
F5	not machined	3" SAE 3000 psi/M
F6	not machined	3" SAE 3000 psi/UNC
F7	4" SAE 3000 psi/M	3" SAE 3000 psi/M
F8	4" SAE 3000 psi/UNC	3" SAE 3000 psi/UNC

\*Connections table “DN - SAE flange” see page 5

### DN - SAE Flange connections\*

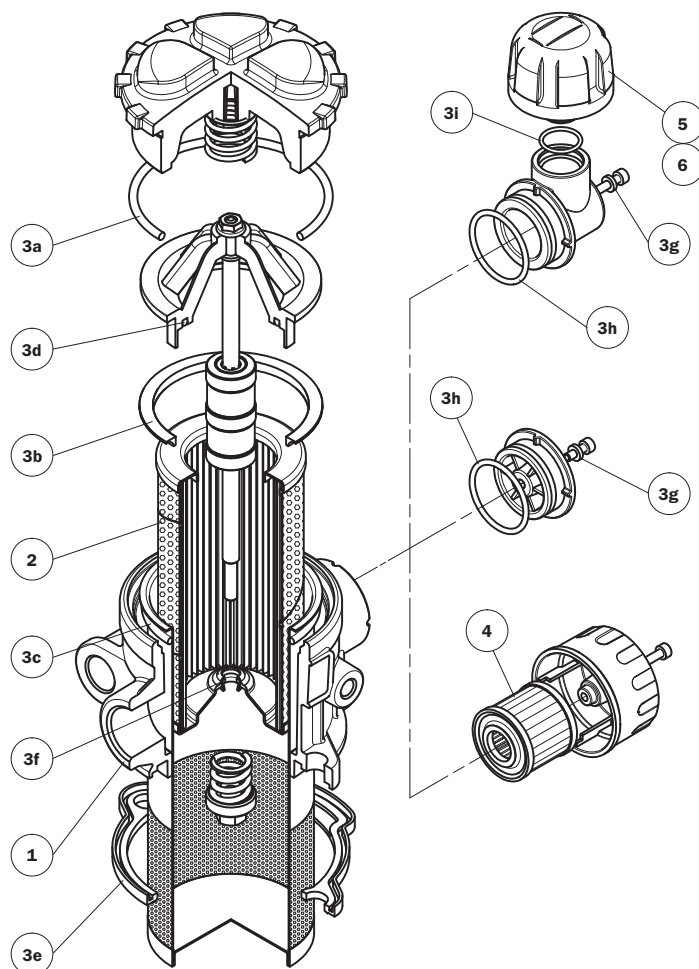
Type	A	B
F1	DN 100 PN 10/16 UNI 2223	3" SAE 3000 psi/M
F3	DN 100 PN 10/16 UNI 2223	3" SAE 3000 psi/UNC

Filter Length	H1 mm	H2 mm	H3 mm	H4 mm
1	419	383	150	515
2	634	598	150	730
3	914	878	250	1010
4	1179	1143	250	1275

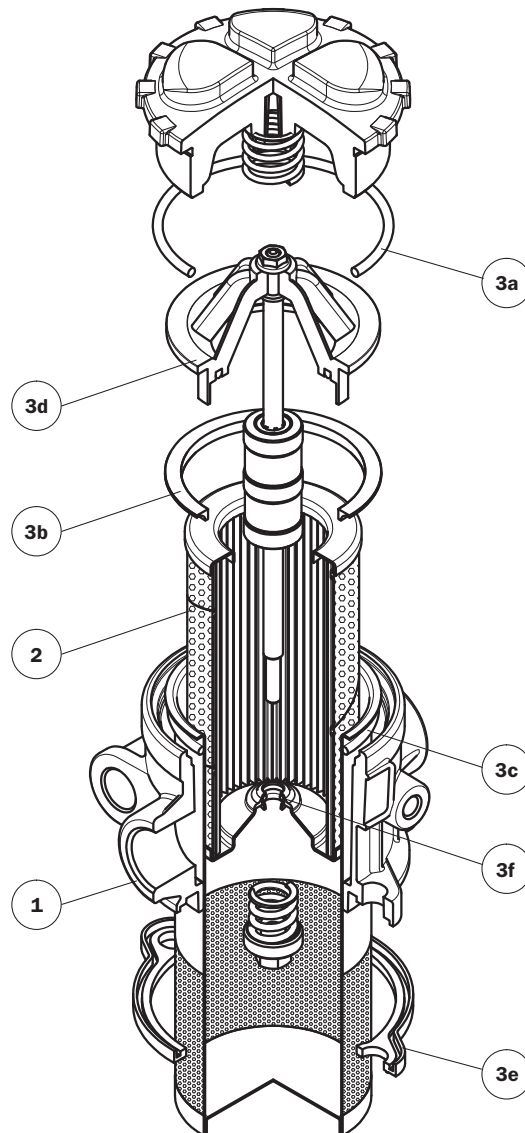


Item	Description	Q.ty	FILTER Series MPH 104	
<b>1</b>	Filter assembly	1	See order table	
<b>2</b>	Filter element	1	See order table	
<b>3</b>	Seal Kit	1	NBR 02050390	FPM 02050409
<b>3a</b>	Cover seal	1	O-R Metric Ø 90 x 4	
<b>3b</b>	External seal for insert assembly with diffuser	1	01026554	01026560
	External seal for insert assembly without diffuser	1	O-R 4275 Ø 69,44 x 3,53	
<b>3c</b>	Diffuser seal	1	O-R 4312 Ø 78,97 x 3,53	
<b>3d</b>	Insert assembly	1	02019052	02019053
<b>3e</b>	Head seal without air breather	1	O-R Metric Ø 90 x 4	
<b>3f</b>	Filter element seal	1	O-R Metric Ø 7,5 x 3	

# Spare parts

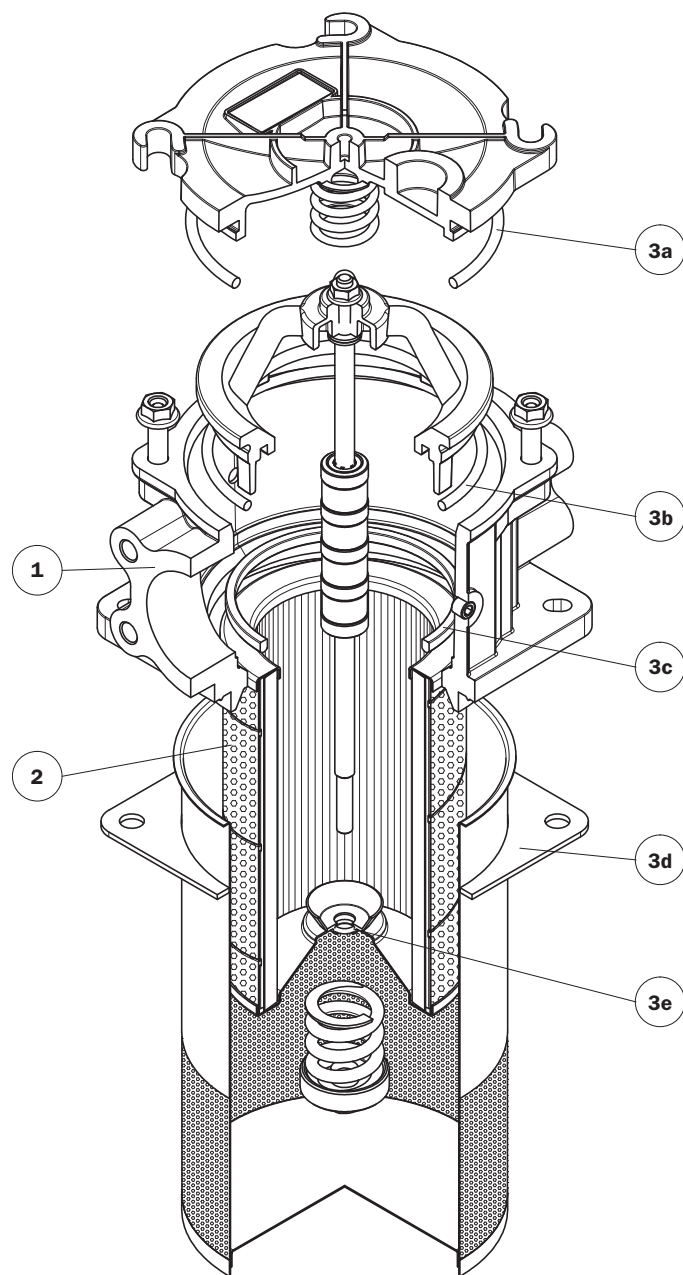


Item	Description	Q.ty	FILTER Series MPH 110		FILTER Series MPH 114	
			NBR 02050565	FPM 02050566	NBR 02050582	FPM 02050583
<b>1</b>	Filter assembly	1	See order table		See order table	
<b>2</b>	Filter element	1	See order table		See order table	
<b>3</b>	Seal Kit	1	NBR 02050565	FPM 02050566	NBR 02050582	FPM 02050583
<b>3a</b>	Cover seal	1	O-R Metric Ø 90 x 4		O-R Metric Ø 90 x 4	
<b>3b</b>	External seal for insert assembly with diffuser	1	01026554	01026560	01026554	01026560
	External seal for insert assembly without diffuser	1	O-R 4275 Ø 69,44 x 3,53		O-R 4275 Ø 69,44 x 3,53	
<b>3c</b>	Diffuser seal	1	O-R 4312 Ø 78,97 x 3,53		O-R 4312 Ø 78,97 x 3,53	
<b>3d</b>	Insert assembly internal seal	1	01026295	01026296	01026295	01026296
<b>3e</b>	Head seal	1	01026351	01026352	01026371	01026372
<b>3f</b>	Filter element seal	1	O-R Metric Ø 7,5 x 3		O-R Metric Ø 7,5 x 3	
<b>3g</b>	Air breather screw seal	1	01026346	01026347	01026346	01026347
<b>3h</b>	Plug - Anti-splash seal	1	O-R 3131 Ø 32,99 x 2,62		O-R 3131 Ø 32,99 x 2,62	
<b>3i</b>	SAP50 seal	1	O-R 2068 Ø 17,17 x 1,78		O-R 2068 Ø 17,17 x 1,78	
<b>4</b>	Air breather filter element "C" version	1	10 micron A5L03		10 micron A5L03	
<b>5</b>	Air breather filter element "D" version	1	10 micron SAP50G3L03A0P01		10 micron SAP50G3L03A0P01	
<b>6</b>	Air breather filter element "P" version	1	10 micron SAP50G3L03A1P01		10 micron SAP50G3L03A1P01	

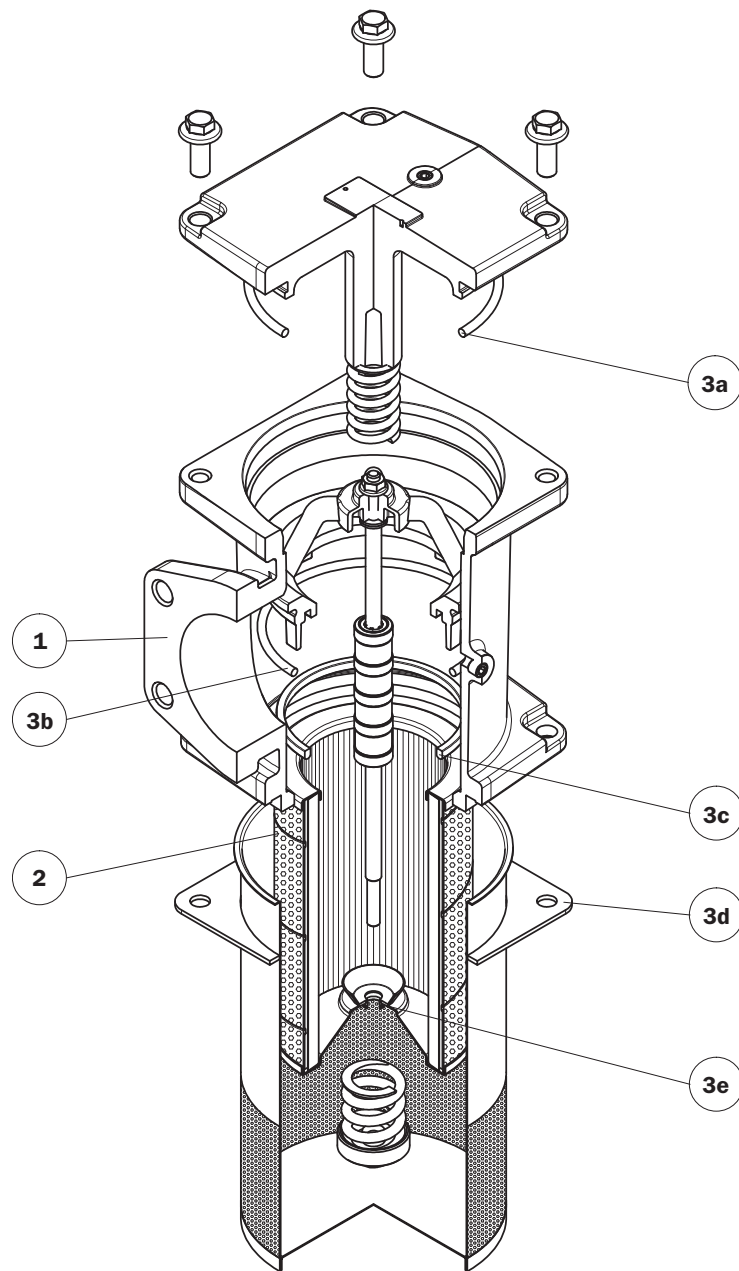


Item	Description	Q.ty	FILTER Series MPH 120	
<b>1</b>	Filter assembly	1	See order table	
<b>2</b>	Filter element	1	See order table	
<b>3</b>	Seal Kit	1	NBR 02050567	FPM 02050568
<b>3a</b>	Cover seal	1	O-R Metric Ø 90 x 4	
<b>3b</b>	External seal for insert assembly with diffuser	1	01026554	01026560
	External seal for insert assembly without diffuser	1	O-R 4275 Ø 69,44 x 3,53	
<b>3c</b>	Diffuser seal	1	O-R 4312 Ø 78,97 x 3,53	
<b>3d</b>	Insert assembly internal seal	1	01026295	01026296
<b>3e</b>	Head seal	1	01026361	01026362
<b>3f</b>	Filter element seal	1	O-R Metric Ø 7,5 x 3	

# Spare parts



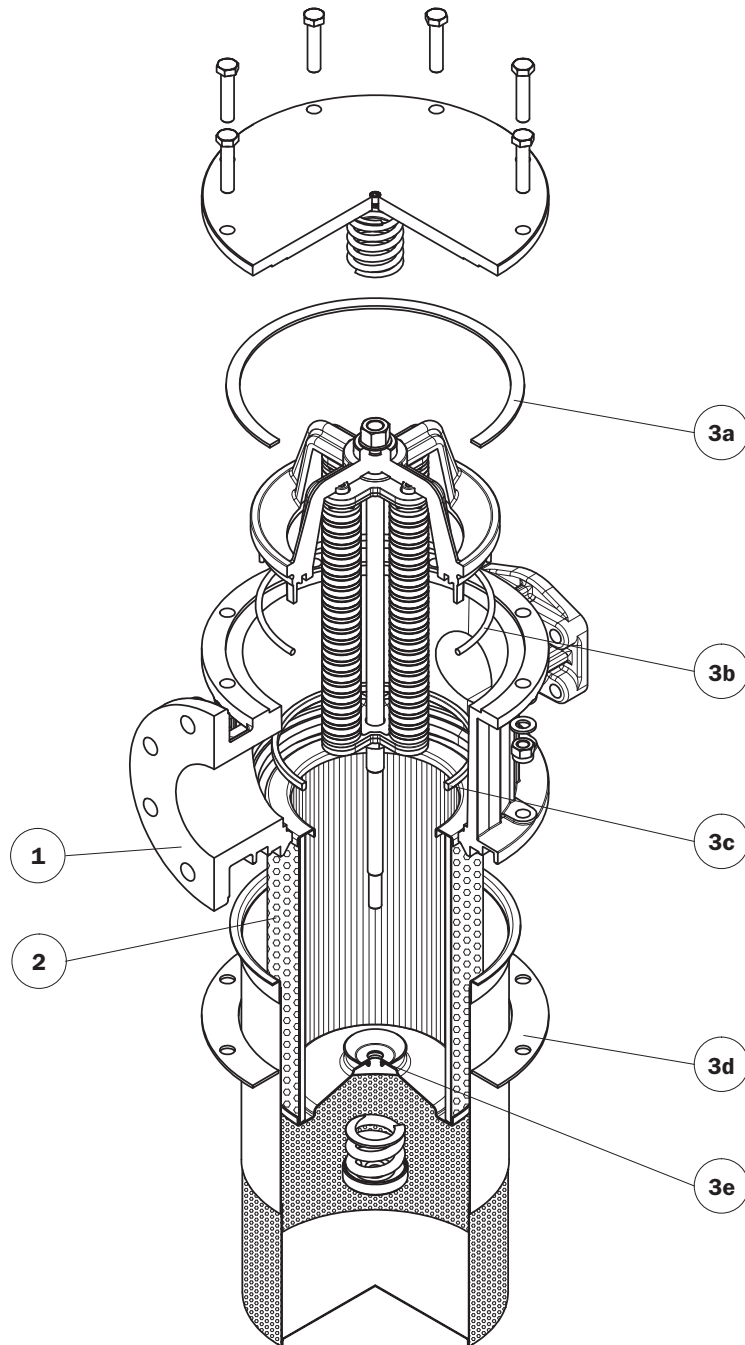
Item	Description	Q.ty	FILTER Series			
			MPH 250		MPH 630	
<b>1</b>	Filter assembly	1	See order table			
<b>2</b>	Filter element	1	See order table			
<b>3</b>	Seal Kit	1	NBR 02050151	FPM 02050152	NBR 02050153	FPM 02050154
<b>3a</b>	Cover seal	1	O-R Metric Ø 119 x 5,7		O-R Metric Ø 149,3 x 5,7	
<b>3b</b>	Insert assembly external seal	1	O-R 4437 Ø 110,70 x 3,53		O-R 210 Ø 133,40 x 5,34	
<b>3c</b>	Insert assembly internal seal	1	01026217	01026220	01026228	01026229
<b>3d</b>	Head seal	1	01026549	01026561	01026545	01026562
<b>3e</b>	Filter element seal	1	O-R 112 Ø 9,92 x 2,62		O-R 112 Ø 9,92 x 2,62	



Item	Description	Q.ty	FILTER Series MPH 660	
<b>1</b>	Filter assembly	1	See order table	
<b>2</b>	Filter element	1	See order table	
<b>3</b>	Seal Kit	1	NBR 02050153	FPM 02050154
<b>3a</b>	Cover seal	1	O-R Metric Ø 149,30 x 5,7	
<b>3b</b>	Insert assembly external seal	1	O-R 210 Ø 133,40 x 5,34	
<b>3c</b>	Insert assembly internal seal	1	01026228	01026229
<b>3d</b>	Head seal	1	01026545	01026562
<b>3e</b>	Filter element seal	1	O-R 112 Ø 9,92 x 2,62	



# Spare parts



Item	Description	Q.ty	FILTER Series MPH 850	
1	Filter assembly	1	See order table	
2	Filter element	1	See order table	
3	Seal Kit	1	NBR 02050155	FPM 02050156
3a	Cover seal	1	01026185	01026564
3b	Insert assembly external seal	1	O-R Metric Ø 209,30 x 5,70	
3c	Insert assembly internal seal	1	01026248	01026249
3d	Head seal	1	01026325	01026563
3e	Filter element seal	1	O-R 117 Ø 13,10 x 2,62	

# Ordering information MPH 104-114

Filter assembly <b>MPH</b>	1	2	3	4	5	6	7	8	9
Example 1: MPH	104	1	C	D	S	A	G1	A25	P01
Example 2: MPH	114	3	E	D	C	A	G2	M60	P01

Filter element <b>MR</b>	1	2	8	6	9
Example 1: MR	100	1	A25	A	P01
Example 2: MR	100	3	M60	A	P01

## 1 - Style

Filter	Filter element
104	100
114	100

## 2 - Filter length

104	1	2	3	4	5
114	1	2	3	4	5

## 3 - By-pass valve

S	Without bypass
C	1,75 bar
E	2,5 bar

## 4 - Execution

O	Without diffuser and with magnetic column
* D	With diffuser and with magnetic column
E	Without diffuser and without magnetic column
* F	With diffuser and without magnetic column

## 5 - Air breather

S	Without air breather
C	(1) With air breather 10 μ
D	(1) Anti-splash and SAP50 10 μ air breather
P	(1) Anti-splash, SAP50 10 μ air breather and pressurization 0,5 bar

(1) Excluded MPH 104

## 6 - Filter seals & Treatment

A	NBR
V	FPM
W	NBR, Head anodized - filter element compatible with fluid HFA, HFB, HFC (only for filter element type Axx and Mxx)
Z	FPM, Head anodized - filter element compatible with fluid HFA, HFB, HFC (only for filter element type Axx and Mxx)

## 7 - Connections

### MPH 104 - 114

Type	A
G1	G 3/4"
G2	G 1"
G3	G 1 1/4"
G4	3/4" NPT
G5	1" NPT
G6	1 1/4" NPT
G7	SAE 12 - 1 1/6" - 12 UN
G8	SAE 16 - 1 5/16" - 12 UN
G9	SAE 20 - 1 5/8" - 12 UN

## 8 - Filter element

A03	Inorganic microfibre 3 μ	Absolute filtration βx (c) ≥ 1000
A06	Inorganic microfibre 6 μ	
A10	Inorganic microfibre 10 μ	
A16	Inorganic microfibre 16 μ	
A25	Inorganic microfibre 25 μ	
M25	Wire mesh	Nominal Filtration
M60	Wire mesh	
M90	Wire mesh	
P10	Resin impregnated paper	Nominal Filtration
P25	Resin impregnated paper	

## 9 - Option

P01	MP Filtri standard
-----	--------------------

\* Use of diffuser recommended

**MP Filtri** - The filter functions as described in this bulletin are valid exclusively for original MP Filtri filter elements and replacement parts. All rights reserved

The data in this publication are purely guideline. MP Filtri reserves the right to make changes to the models described herein at any time it deems fit in relation to technical or commercial requirements. The colours of the products shown on the cover are purely guideline. Copyright. All rights reserved.

# Ordering information MPH 110-120

## Filter assembly

### MPH

	<b>1</b>	<b>2</b>	<b>3</b>	<b>4</b>	<b>5</b>	<b>6</b>	<b>7</b>	<b>8</b>	<b>9</b>	<b>10</b>
	<input type="checkbox"/>	<input type="checkbox"/>	<input type="checkbox"/>	<input type="checkbox"/>	<input type="checkbox"/>	<input type="checkbox"/>	<input type="checkbox"/>	<input type="checkbox"/>	<input type="checkbox"/>	<input type="checkbox"/>
<b>Example 1: MPH</b>	<b>110</b>	<b>2</b>	<b>E</b>	<b>D</b>	<b>C</b>	<b>A</b>	<b>G2</b>	<b>1</b>	<b>A10</b>	<b>P01</b>
<b>Example 2: MPH</b>	<b>120</b>	<b>5</b>	<b>C</b>	<b>O</b>		<b>A</b>	<b>G3</b>	<b>2</b>	<b>A25</b>	<b>P01</b>

## Filter element

### MR

	<b>1</b>	<b>2</b>	<b>9</b>	<b>6</b>	<b>10</b>
	<input type="checkbox"/>	<input type="checkbox"/>	<input type="checkbox"/>	<input type="checkbox"/>	<input type="checkbox"/>
<b>Example 1: MR</b>	<b>100</b>	<b>2</b>	<b>A10</b>	<b>A</b>	<b>P01</b>
<b>Example 2: MR</b>	<b>100</b>	<b>5</b>	<b>A25</b>	<b>A</b>	<b>P01</b>

### 1 - Style

#### Filter

<b>110</b>
<b>120</b>

#### Filter element

<b>100</b>
<b>100</b>

### 2 - Filter length

<b>110</b>
<b>120</b>

<b>1</b>	<b>2</b>	<b>3</b>	<b>4</b>	<b>5</b>
<b>1</b>	<b>2</b>	<b>3</b>	<b>4</b>	<b>5</b>

### 3 - By-pass valve

<b>S</b>	Without bypass
<b>C</b>	1,75 bar
<b>E</b>	2,5 bar

### 4 - Execution

<b>O</b>	Without diffuser and with magnetic column
* <b>D</b>	With diffuser and with magnetic column
<b>E</b>	Without diffuser and without magnetic column
* <b>F</b>	With diffuser and without magnetic column

### 5 - Air breather (omit for MPH 120)

<b>S</b>	Without air breather
<b>C</b>	With air breather 10 $\mu$
<b>D</b>	Anti-splash and SAP50 10 $\mu$ air breather
<b>P</b>	Anti-splash and SAP50 10 $\mu$ air breather pressurization 0,5 bar

### 6 - Filter seals & Treatment

<b>A</b>	NBR
<b>V</b>	FPM
<b>W</b>	NBR, Head anodized - filter element compatible with fluid HFA, HFB, HFC (only for filter element type Axx and Mxx)
<b>Z</b>	FPM, Head anodized - filter element compatible with fluid HFA, HFB, HFC (only for filter element type Axx and Mxx)

### 7 - Connections A - C

#### MPH 110 Connections A MPH 120 Connections A and C

Type	A	C
<b>G1</b>	G 3/4"	G 3/4"
<b>G2</b>	G 1"	G 1"
<b>G3</b>	G 1 1/4"	G 3/4"
<b>G4</b>	3/4" NPT	3/4" NPT
<b>G5</b>	1" NPT	1" NPT
<b>G6</b>	1 1/4" NPT	3/4" NPT
<b>G7</b>	SAE 12 - 1 1/16" - 12 UN	SAE 12 - 1 1/16" - 12 UN
<b>G8</b>	SAE 16 - 1 5/16" - 12 UN	SAE 16 - 1 5/16" - 12 UN
<b>G9</b>	SAE 20 - 1 5/8" - 12 UN	SAE 12 - 1 1/16" - 12 UN

### 8 - Connections B

Type	Connections A		
	G1 - G2 - G3	G4 - G5 - G6	G7 - G8 - G9
<b>0</b>	not machined	not machined	not machined
<b>1</b>	G 3/8"	3/8" NPT	SAE 6 - 9/16" - 18 UNF
<b>2</b>	G 1/2"	1/2" NPT	SAE 8 - 3/4" - 16 UNF

### 9 - Filter element

<b>A03</b>	Inorganic microfibre 3 $\mu$	Absolute filtration $\beta_x(c) \geq 1000$
<b>A06</b>	Inorganic microfibre 6 $\mu$	
<b>A10</b>	Inorganic microfibre 10 $\mu$	
<b>A16</b>	Inorganic microfibre 16 $\mu$	
<b>A25</b>	Inorganic microfibre 25 $\mu$	Nominal Filtration
<b>M25</b>	Wire mesh	
<b>M60</b>	Wire mesh	
<b>M90</b>	Wire mesh	Nominal Filtration
<b>P10</b>	Resin impregnated paper	
<b>P25</b>	Resin impregnated paper	

### 10 - Option

<b>P01</b>	MP Filtri standard
------------	--------------------

\* Use of diffuser recommended

**MP Filtri** - The filter functions as described in this bulletin are valid exclusively for original MP Filtri filter elements and replacement parts. All rights reserved

The data in this publication are purely guideline. MP Filtri reserves the right to make changes to the models described herein at any time it deems fit in relation to technical or commercial requirements. The colours of the products shown on the cover are purely guideline. Copyright. All rights reserved.

# Ordering information MPH 250-630-660-850

## Filter assembly

### MPH

Example: MPH

<b>1</b>	<b>2</b>	<b>3</b>	<b>4</b>	<b>5</b>	<b>6</b>	<b>7</b>	<b>8</b>	<b>9</b>
<input type="checkbox"/>	<input type="checkbox"/>	<input type="checkbox"/>	<input type="checkbox"/>	<input type="checkbox"/>	<input type="checkbox"/>	<input type="checkbox"/>	<input type="checkbox"/>	<input type="checkbox"/>
<b>250</b>	<b>1</b>	<b>C</b>	<b>D</b>	<b>S</b>	<b>A</b>	<b>G1</b>	<b>A25</b>	<b>P01</b>

## Filter element

### MR

Example: MR

<b>1</b>	<b>2</b>	<b>8</b>	<b>6</b>	<b>9</b>
<input type="checkbox"/>	<input type="checkbox"/>	<input type="checkbox"/>	<input type="checkbox"/>	<input type="checkbox"/>
<b>250</b>	<b>1</b>	<b>A10</b>	<b>A</b>	<b>P01</b>

### 1 - Style

#### Filter

<b>250</b>
<b>630</b>
<b>660</b>
<b>850</b>

#### Filter element

<b>250</b>
<b>630</b>
<b>630</b>
<b>850</b>

### 2 - Filter length

<b>250</b>
<b>630</b>
<b>660</b>
<b>850</b>

<b>1</b>	<b>2</b>	<b>3</b>	<b>4</b>	
<b>1</b>	<b>2</b>	<b>3</b>	<b>4</b>	<b>5</b>
			<b>4</b>	<b>5</b>
<b>1</b>	<b>2</b>	<b>3</b>	<b>4</b>	

### 3 - By-pass valve

<b>S</b>	Without bypass
<b>C</b>	1,75 bar
<b>E</b>	2,5 bar (not available for MPH 850)

### 4 - Execution

<b>O</b>	Without diffuser and with magnetic column
* <b>D</b>	With diffuser and with magnetic column
<b>E</b>	Without diffuser and without magnetic column
* <b>F</b>	With diffuser and without magnetic column

### 5 - Air breather

<b>S</b>	Without air breather
----------	----------------------

### 6 - Filter seals & Treatment

<b>A</b>	NBR
<b>V</b>	FPM
<b>W</b>	NBR, Head and Insert assembly anodized. Filter element compatible with fluid HFA, HFB, HFC (only for filter element type Axx and Mxx)
<b>Z</b>	FPM, Head and Insert assembly anodized. Filter element compatible with fluid HFA, HFB, HFC (only for filter element type Axx and Mxx)

### 7 - Connections

#### MPH 250

Type	A	B
<b>G1</b>	G 1 1/2"	-
<b>G2</b>	G 1 1/2"	G 1 1/4"
<b>G4</b>	1 1/2" NPT	-
<b>G5</b>	1 1/2" NPT	1 1/4" NPT
<b>G7</b>	SAE 24 - 1 7/8" 12 UN	-
<b>G8</b>	SAE 24 - 1 7/8" 12 UN	SAE 20 - 1 5/8" - 12 UN
<b>F1</b>	1 1/2" SAE 3000 psi/M	-
<b>F2</b>	1 1/2" SAE 3000 psi/M	1 1/4" SAE 3000 psi/M
<b>F3</b>	1 1/2" SAE 3000 psi/UNC	-
<b>F4</b>	1 1/2" SAE 3000 psi/UNC	1 1/4" SAE 3000 psi/UNC

#### MPH 630

Type	A	B
<b>F1</b>	2 1/2" SAE 3000 psi/M	not machined
<b>F2</b>	2 1/2" SAE 3000 psi/M	2" SAE 3000 psi/M
<b>F3</b>	2 1/2" SAE 3000 psi/UNC	not machined
<b>F4</b>	2 1/2" SAE 3000 psi/UNC	2" SAE 3000 psi/UNC

#### MPH 660

Type	A
<b>F1</b>	3" SAE 3000 psi/M
<b>F2</b>	4" SAE 3000 psi/M

#### MPH 850 DN-SAE

Type	A	B
<b>F1</b>	DN 100 PN 10/16 UNI 2223	3" SAE 3000 psi/M
<b>F3</b>	DN 100 PN 10/16 UNI 2223	3" SAE 3000 psi/UNC

#### MPH 850 SAE-SAE

Type	A	B
<b>F5</b>	not machined	3" SAE 3000 psi/M
<b>F6</b>	not machined	3" SAE 3000 psi/UNC
<b>F7</b>	4" SAE 3000 psi/M	3" SAE 3000 psi/M
<b>F8</b>	4" SAE 3000 psi/UNC	3" SAE 3000 psi/UNC

### 8 - Filter element

<b>A03</b>	Inorganic microfibre 3 $\mu$	} Absolute filtration $\beta_x(c) \geq 1000$
<b>A06</b>	Inorganic microfibre 6 $\mu$	
<b>A10</b>	Inorganic microfibre 10 $\mu$	
<b>A16</b>	Inorganic microfibre 16 $\mu$	
<b>A25</b>	Inorganic microfibre 25 $\mu$	
<b>M25</b>	Wire mesh	} Nominal Filtration
<b>M60</b>	Wire mesh	
<b>M90</b>	Wire mesh	
<b>P10</b>	Resin impregnated paper	} Nominal Filtration
<b>P25</b>	Resin impregnated paper	

### 9 - Option

<b>P01</b>	MP Filtri standard
------------	--------------------

\* Use of diffuser recommended

**MP Filtri** - The filter functions as described in this bulletin are valid exclusively for original MP Filtri filter elements and replacement parts. All rights reserved

The data in this publication are purely guideline. MP Filtri reserves the right to make changes to the models described herein at any time it deems fit in relation to technical or commercial requirements. The colours of the products shown on the cover are purely guideline. Copyright. All rights reserved.