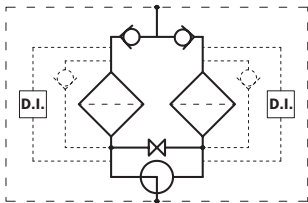


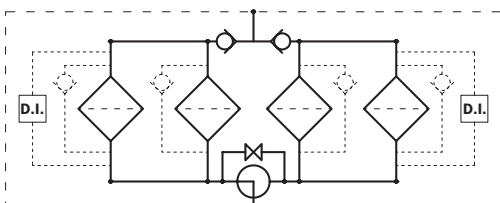
LMD 951



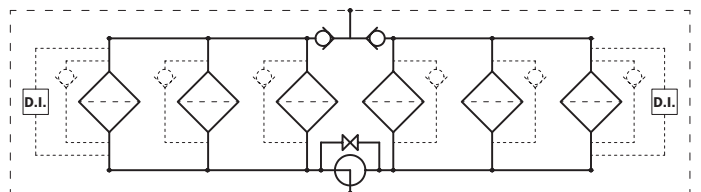
LMD 951
Double filter



LMD 952
Double filter with manifolds for 2 filters



LMD 952
Double filter with manifolds for 3 filters



Maximum pressure 16 - 25 bar
Flow rates to 1200 l/min

Filter housing (Materials)

- Head: Anodised Aluminium
- Housing: Anodised Aluminium
- Manifolds: Welded - Painted black
- Bypass valve: Nylon - Steel
- 3-way ball valve: Steel body - Stainless steel ball
- Check valve: Cast iron body - AISI 304 leaf

Pressure

- SAE + DIN Flange
- Working pressure: 16 bar (1.6 MPa)
- Test pressure: 25 bar (2.5 MPa)

Temperature

- From -25 °C to +110 °C

Bypass valve

- Opening pressure 3.5 bar \pm 10%
- Other opening pressures on request.

Number of filter elements

- LMD 951: 2 filter elements CU950-3
- LMD 952: 4 filter elements CU950-3
- LMD 953: 6 filter elements CU950-3

Δp Elements type

- Series N elements: 20 bar
- Oil flow from exterior to interior.

Seals

- Standard FPM series V

Weights (kg)

Length

- LMD951 102 (DN 80) - 130 (DN 100)
- LMD952 207 (DN 80) - 235 (DN 100)
- LMD953 312 (DN 80) - 340 (DN 100)

Volumes (dm³)

Length

- LMD951 62
- LMD952 138
- LMD953 232

Connections

Inlet-Outlet
Over and under
In-Line

Compatibility (to ISO 2943)

- Housings compatible with:
Mineral oils, synthetic fluids,
aqueous emulsions, water and glycol
- The filter elements are compatible with:
Mineral oils, synthetic fluids,
aqueous emulsions, water and glycol.
- NBR seals series A, compatible with:
Mineral oils, synthetic fluids, aqueous emulsions and
water and glycol.
- FPM seals series V, compatible with:
Synthetic fluids type HS-HFDR-HFDS-HFD

Filter Element Area

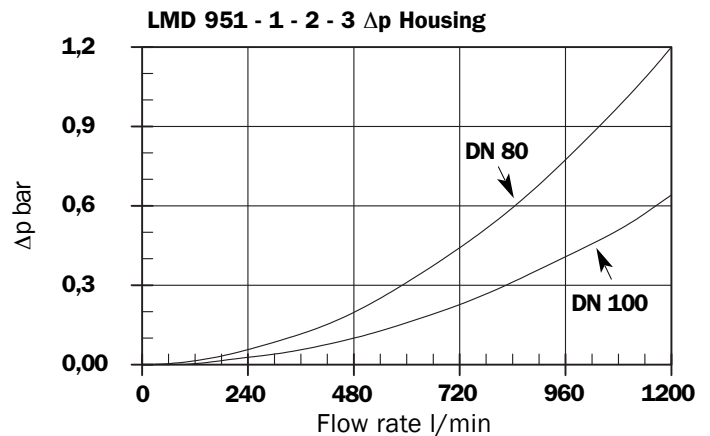
Filter element in stainless steel mesh

Type	Length		
	951	952	953
CU950 - 3	25100	50200	75300
Values expressed in cm²			

Filter housing Δp pressure drop

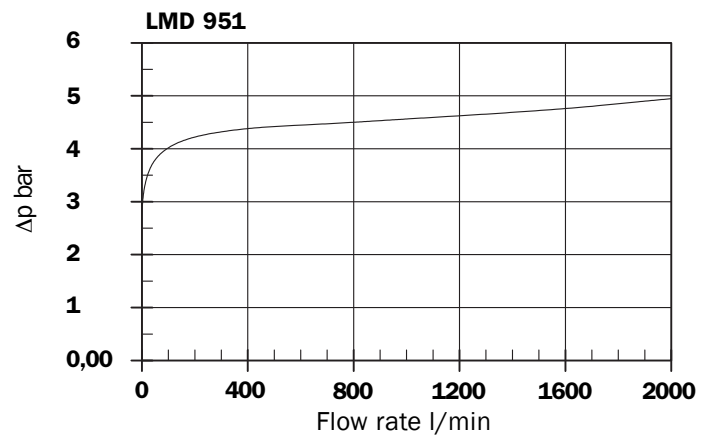
The curves are plotted utilising mineral oil with density of 0.86 kg/dm³ to ISO 3968.

Δp varies proportionally with density.

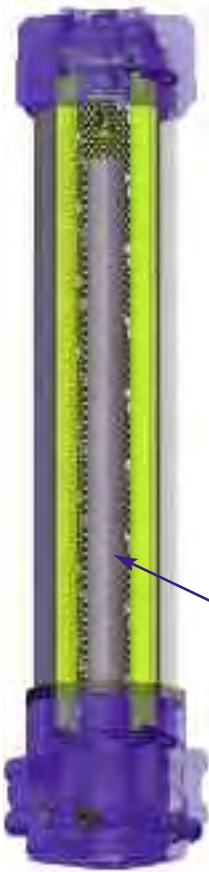


Valves

Bypass valve pressure drop



Option P02 for LMD 951 - 952 - 953



Option P02 "Internal tube for reduced flow rates" is recommended for flow rates lower than:
 LMD 951 - 150 l/min
 LMD 952 - 300 l/min
 LMD 953 - 450 l/min
 The use of option P02 allows the operating fluid to fill the filter housing completely.

P02 "Internal tube for reduced flow rates"

Recommended maximum flow rate

Recommended maximum flow rate for filters installed on lubrication lines, return or in-line filters is defined by the maximum oil velocity in the connections.
 For filters mounted on Off-Line lines the maximum recommended flow rate is defined by the pressure drop of the filter element.

Filter for pressurised lubrication, max. oil velocity 2.5 m/sec.
 Return or in-line filter, max oil velocity 5 m/sec.

Oil velocity	Connections	
	3"	4"
2,5 m/sec.	750	1200
5 m/sec.	1500	2400

Flow rate l/min

Off-Line filter, filter element recommended maximum pressure drop must be equal to Δp 0.2 ÷ 0.3 bar.

Recommended maximum flow rate

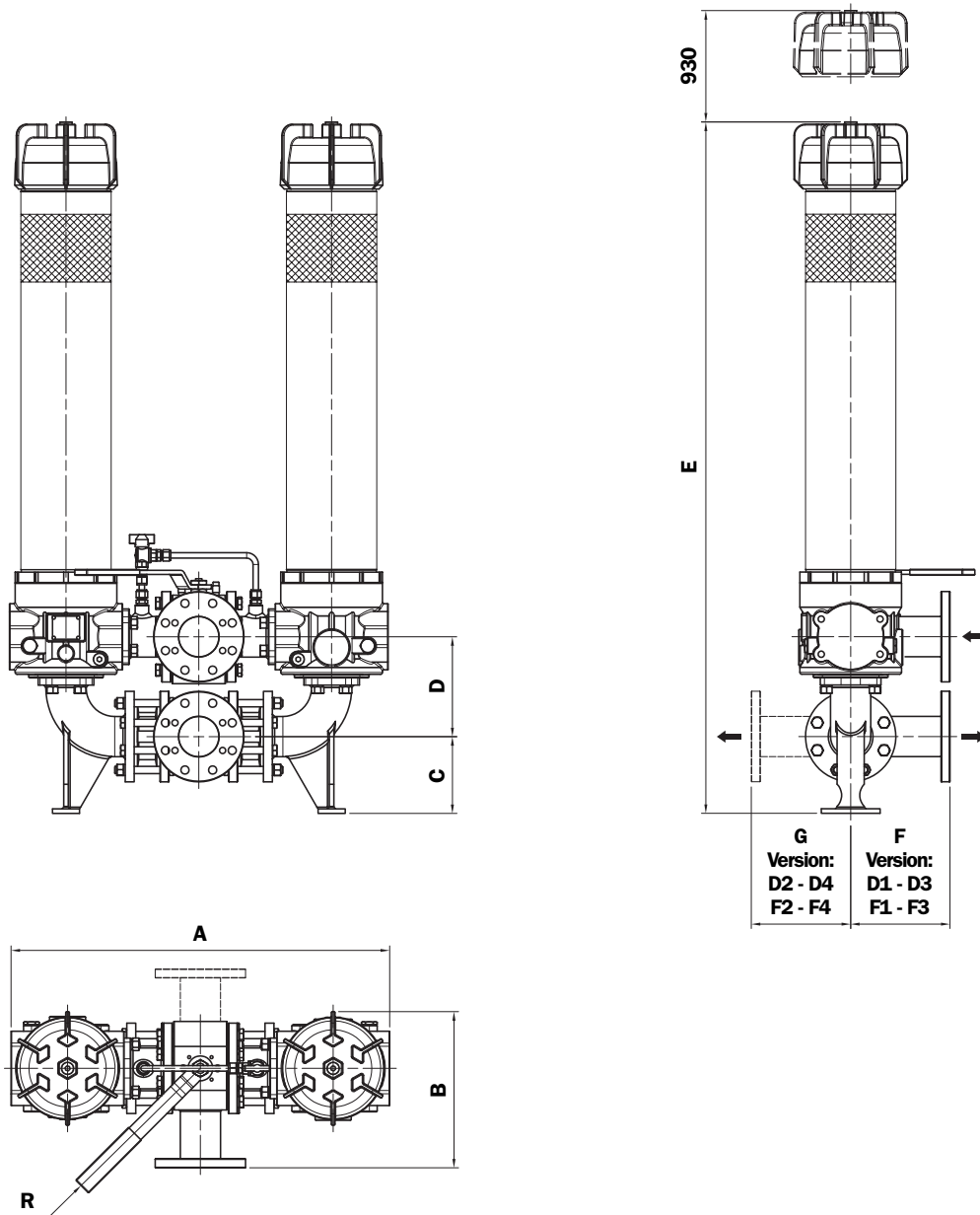
- Pressure drop of filter assembly equal to Δp 0.6 bar.
- Oil kinematic viscosity 30 mm²/s (cSt).
- Density 0.86 kg/dm³.

Filtration

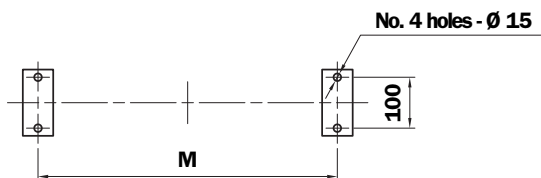
	Length	A03	A06	A10	A16	A25	M25
LMD 951 Connection: Flange SAE 3000 3"	3	625	650	700	760	780	830
LMD 952 Connection: Flange SAE 3000 3"	3	720	750	800	800	820	850
LMD 953 Connection: Flange SAE 3000 3"	3	780	800	800	850	850	880
LMD 951 Connection: Flange SAE 3000 4"	3	780	820	900	1000	1050	1150
LMD 952 Connection: Flange SAE 3000 4"	3	950	980	1050	1100	1100	1180
LMD 953 Connection: Flange SAE 3000 4"	3	1000	1050	1100	1150	1150	1200

Flow rate l/min

LMD 951



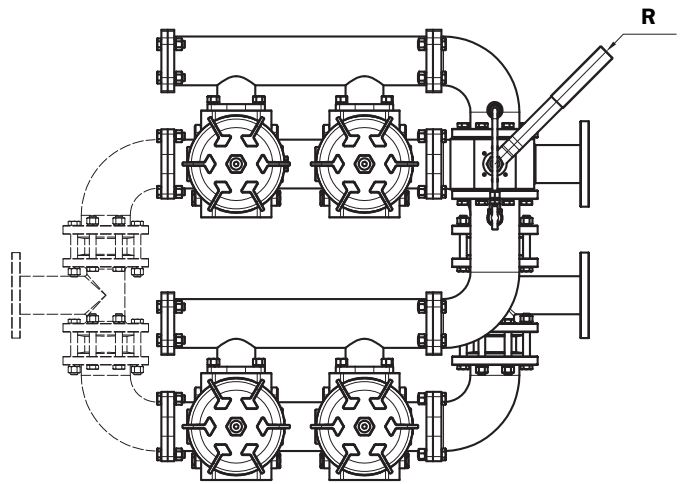
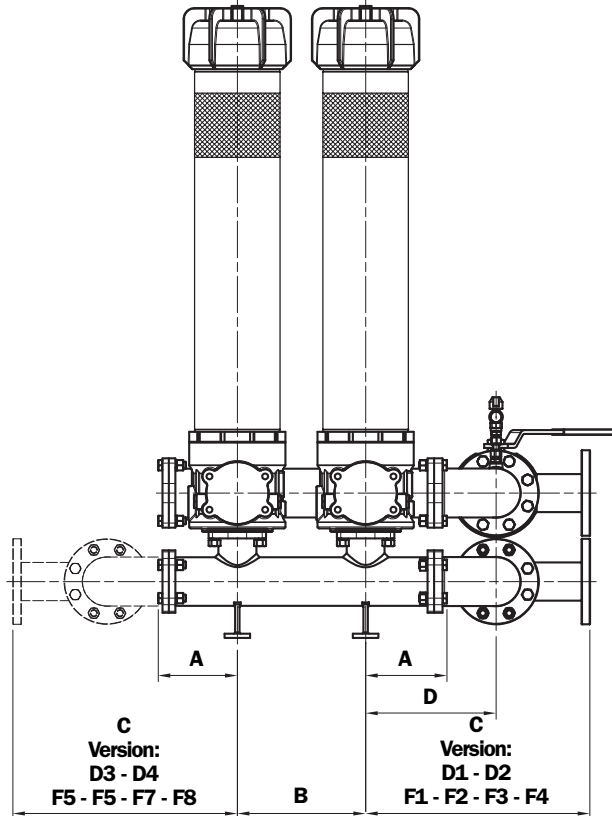
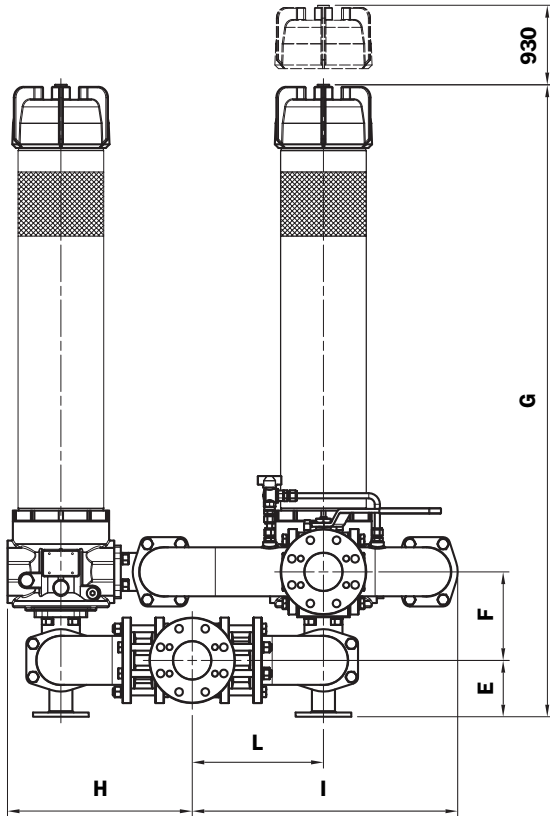
Filter fixing holes LMD 951



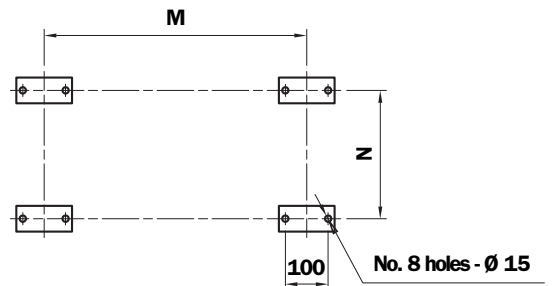
LMD 951

Length Filter	A mm	B mm	C mm	D mm	E mm	F mm	G mm	M mm	R mm
3 - 3" SAE DN 80	838	346	170	221	1530	220	220	588	370
3 - 4" SAE DN 100	932	346	170	268	1577	220	220	682	650

LMD 952



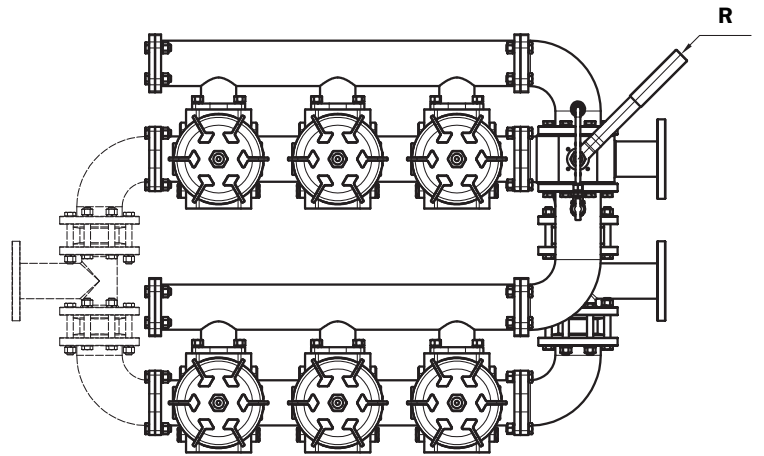
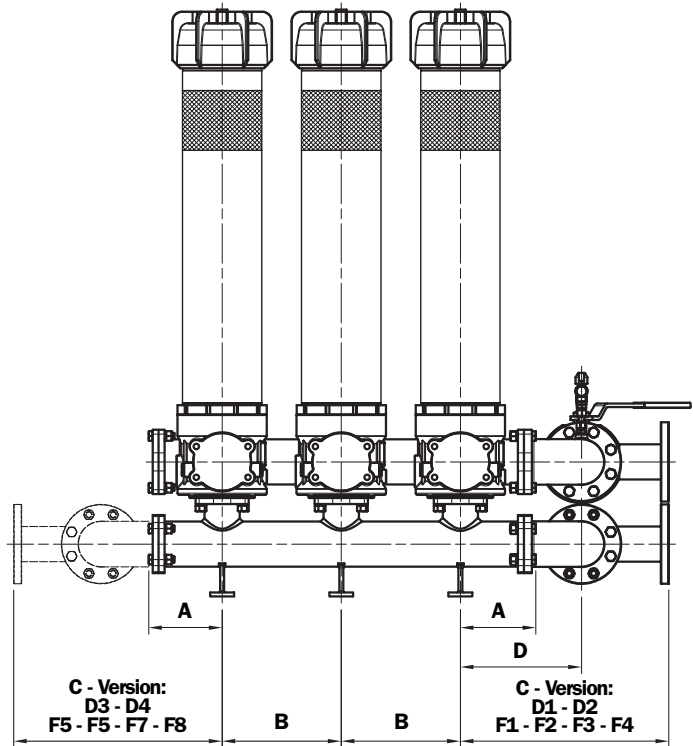
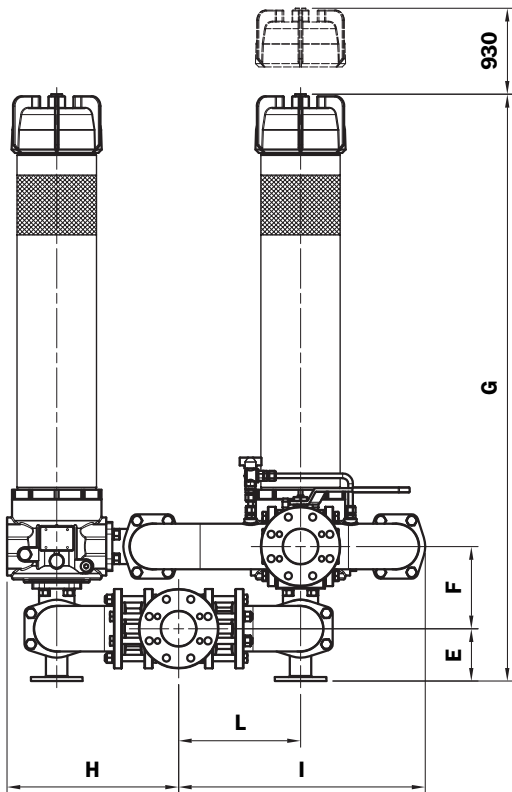
LMD 952 filter fixing holes



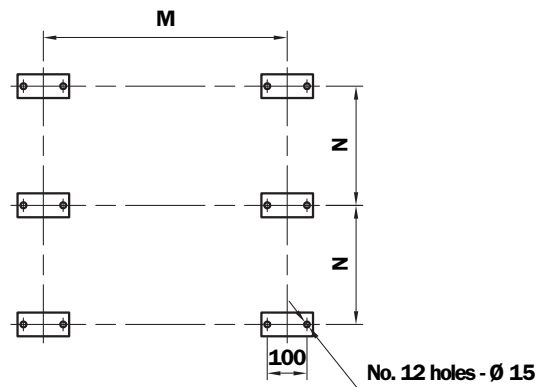
LMD 952

Length Filter	A mm	B mm	C mm	D mm	E mm	F mm	G mm	H mm	I mm	L mm	M mm	N mm	R mm
3 - 3" SAE DN 80	190	300	552	332	132	207	1478	432	621	269	614	300	370
3 - 4" SAE DN 100	190	300	552	332	132	207	1478	456	647	278	662	300	650

LMD 953



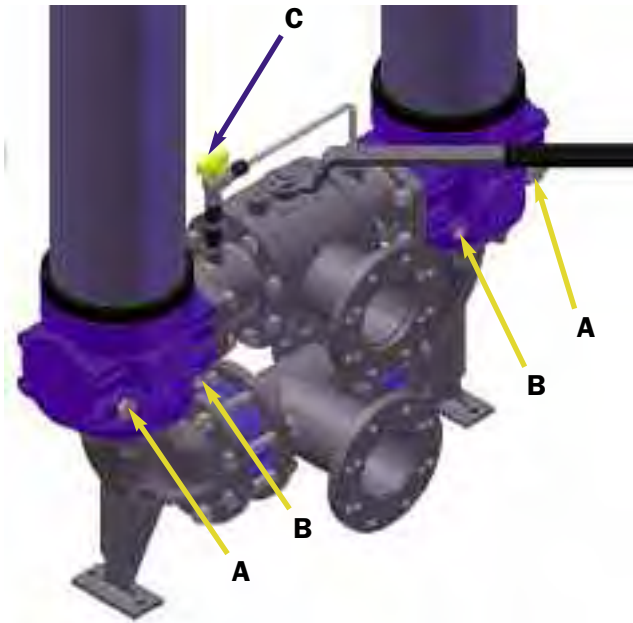
LMD 953 filter fixing holes



LMD 953

Length Filter	A mm	B mm	C mm	D mm	E mm	F mm	G mm	H mm	I mm	L mm	M mm	N mm	R mm
3 - 3" SAE DN 80	190	300	552	332	132	207	1478	432	621	269	614	300	370
3 - 4" SAE DN 100	190	300	552	332	132	207	1478	456	647	278	662	300	650

LMD 951



A - Indicator port - Plug T2 - A/F 30

B - Oil drain plug - G 1/2" - A/F 10

C - Compensation valve

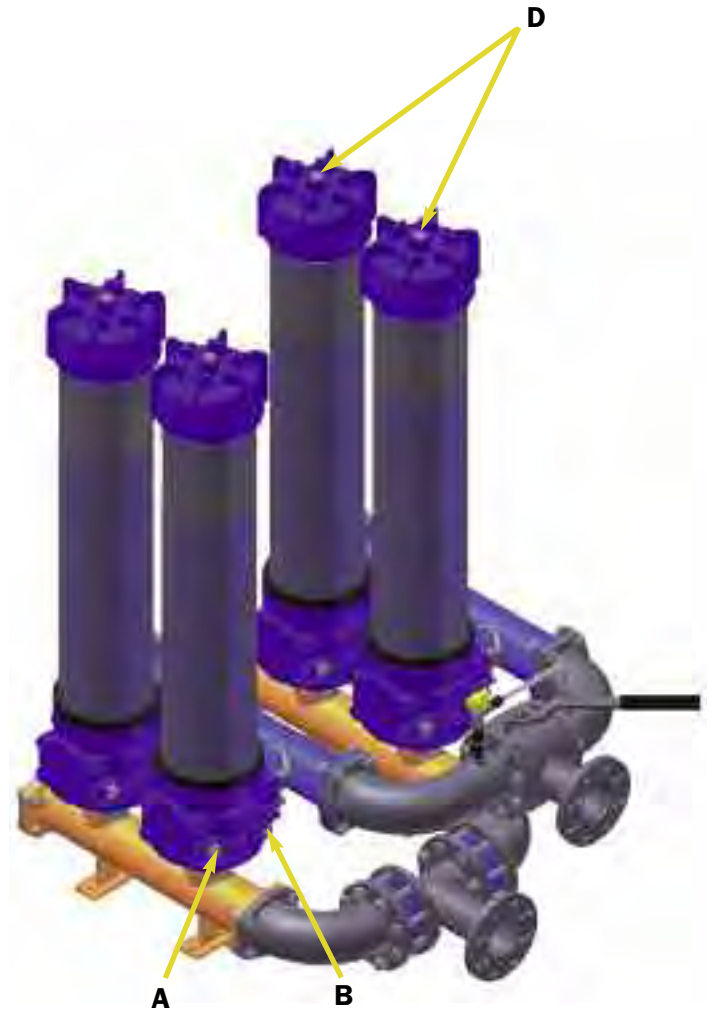
D - Breather plug - G 1/2" - A/F 10

Differential indicator:

LMD 951 - Fit one indicator for filter housing

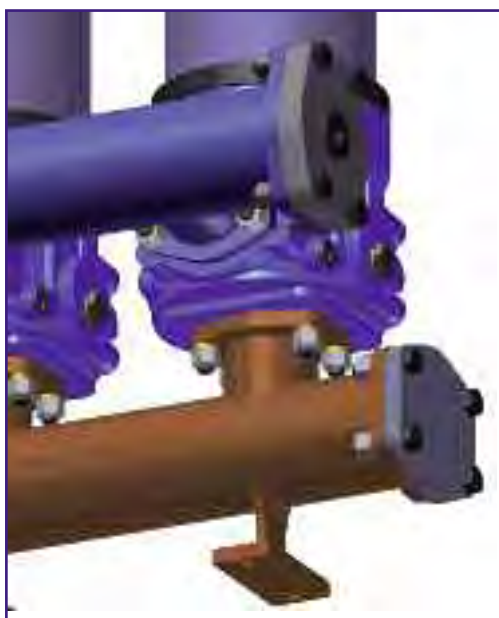
LMD 951 - 953 - Fit one indicator for individual filter assembly

LMD 952 - 953



Option

Flange with oil drain plug for rapid discharge LMD 952 - 953



Order code:

Oil drain plug

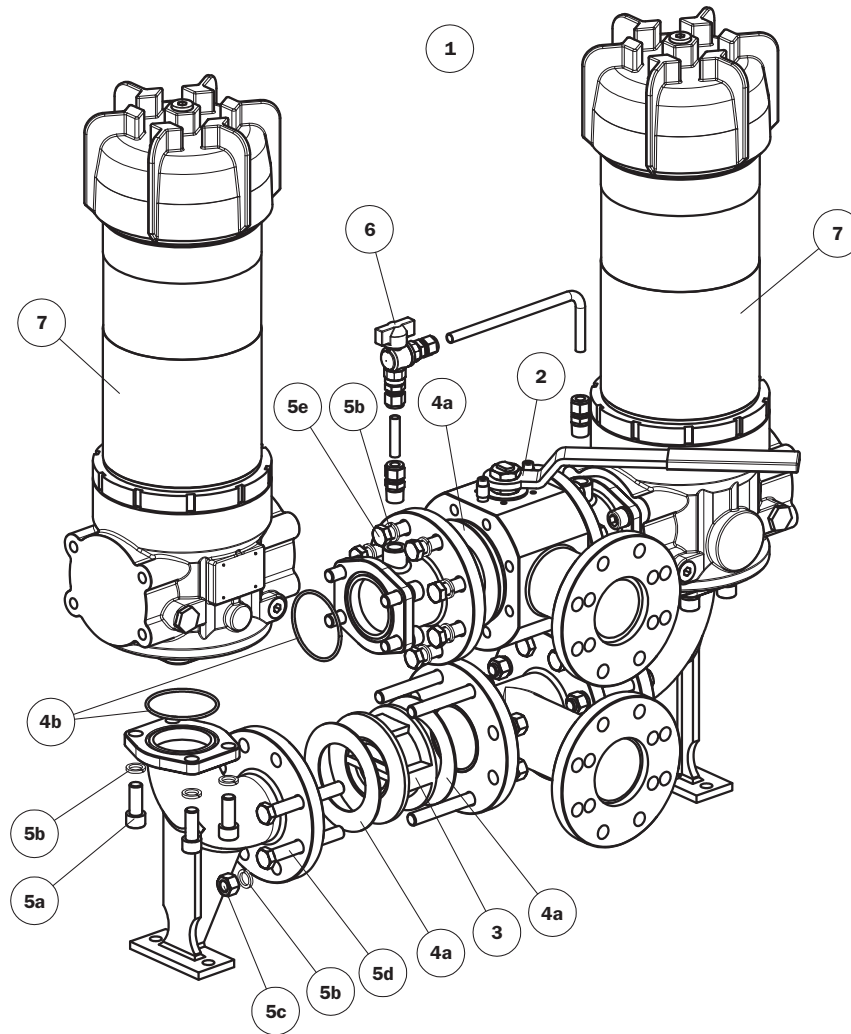
Code	CMV4	CUV4
	A	A
Thread	G 1 1/4"	SAE 20

The order code includes:

- FLANGE
- SCREWS
- NUTS
- SEALS
- OIL DRAIN PLUG

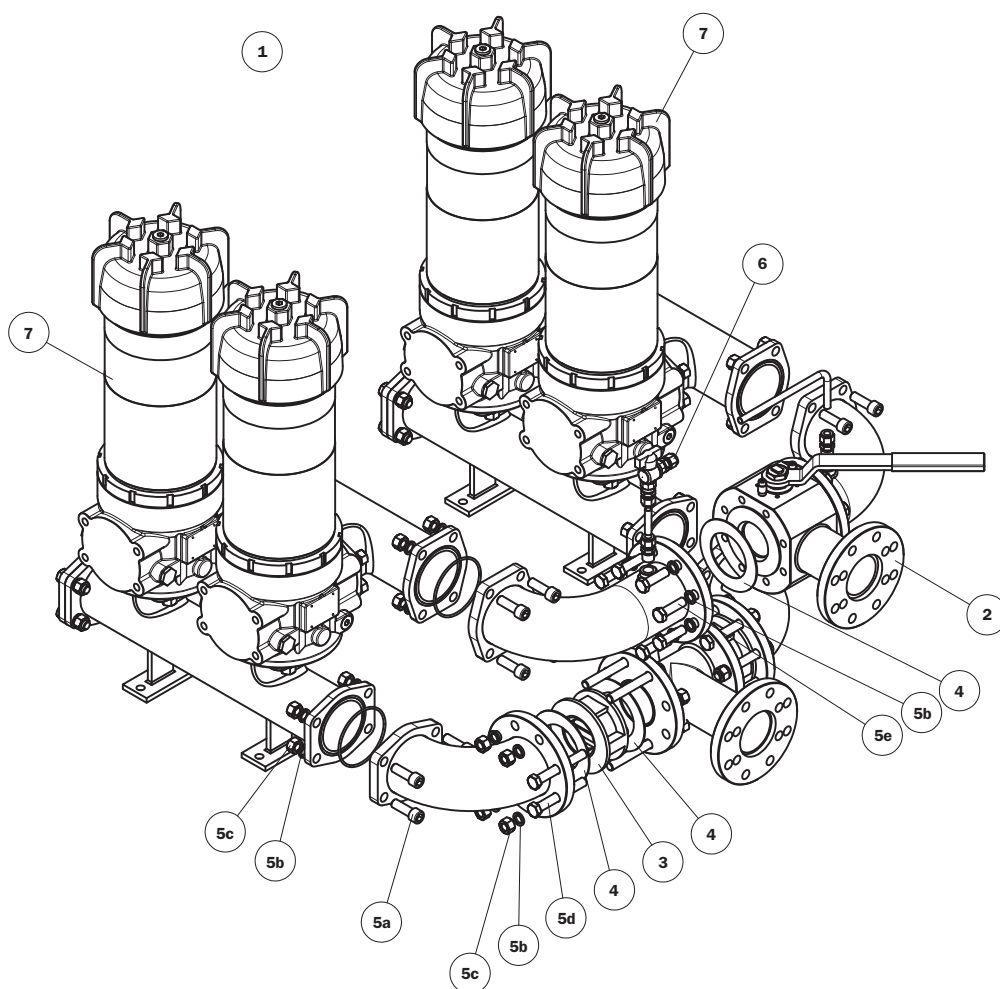


Spare parts



Item	Description	Q.ty	FILTER Series	
			F1 - F2 - F5 - F6 / D1 - D3 (3" SAE / DIN PN16 DN 80)	F3 - F4 - F7 - F8 / D2 - D4 (4" SAE / DIN PN16 DN 100)
1	Filter assembly	1	See order table	
2	3-way ball valve PN 16	1	3" SAE 3000 psi/M 02001135 3" SAE 3000 psi/UNC 02001438	4" SAE 3000 psi/M 02001162 4" SAE 3000 psi/UNC 02001439
3	One-way valve	2	02001418	02001419
4	Seals kit	1	02050388	02050389
4a	Flat seal	6	In according to DN 80	In according to DN 100
4b	IN-OUT O-Ring	4	O-R 4337 Ø85,32 x 3,53 FPM	O-R 4437 Ø110,7 x 3,53 FPM
5	Threaded fasteners kit	1	02049056	02049057
5a	Hexagon socket screws	16	UNI 5931 - M16 x 40 10.9	
5b	Spring washers	48	UNI 1751-B 16	
5c	Nuts	16	UNI - EN 24032 - M16 10.9	
5d	Hexagon bolt screws	16	UNI-EN 24014 - M16 x 120 - 10.9	UNI-EN 24014 - M16 x 130 10.9
5e	Hexagon bolt screws	16	UNI-EN 24017 - M16 x 55 - 10.9	
6	G 1/2" Ball Valve Kit with straight fittings	1	02025043	
7	Filter	2	See order table LMP9513F.....PO* page 85	
-	Indicators	2	See order table	

Spare parts



Item	Description	Q.ty	FILTER Series	
			F1 - F2 - F5 - F6 / D1 - D3 (3" SAE / DIN PN16 DN 80)	F3 - F4 - F7 - F8 / D2 - D4 (4" SAE / DIN PN16 DN 100)
1	Filter assembly	1	See order table	
2	3-way ball valve PN 16	1	3" SAE 3000 psi/M 02001135 3" SAE 3000 psi/UNC 02001438	4" SAE 3000 psi/M 02001162 4" SAE 3000 psi/UNC 02001439
3	One-way valve	2	02001418	02001419
4	Flat seals	6	In according to DN 80	In according to DN 100
5	Threaded fasteners kit	4	02049058	02049059
5a	Hexagon socket screws	16	UNI 5931 - M16 x 55 10.9	
5b	Spring washers	48	UNI 1751-B 16	
5c	Nuts	32	UNI - EN 24032 - M16 10.9	
5d	Hexagon bolt screws	16	UNI-EN 24014 - M16 x 110 - 10.9	UNI-EN 24014 - M16 x 120 10.9
5e	Hexagon bolt screws	16	UNI-EN 24017 - M16 x 55 - 10.9	
6	G 1/2" Ball Valve Kit with straight fittings	1	02025043	
7	Filter	2	See order table LMP9523F.....PO* page 95 See order table LMP9533F.....PO* page 95	
-	Indicators	2	See order table	

Ordering information LMD 951 - 952 - 953

Filter assembly

LMD

Example: LMD

1	2	3	4	5	6	7	8a
<input type="checkbox"/>	<input type="checkbox"/>	<input type="checkbox"/>	<input type="checkbox"/>	<input type="checkbox"/>	<input type="checkbox"/>	<input type="checkbox"/>	<input type="checkbox"/>
951	3	B	V	F1	A10	N	P01

Filter element

CU950

Example: CU950

2	6	4	7	8b
<input type="checkbox"/>	<input type="checkbox"/>	<input type="checkbox"/>	<input type="checkbox"/>	<input type="checkbox"/>
3	A10	V	N	P01

1 - Style

Filter

951
952
953

Filter element

950 - 3 1+1 filter elements
950 - 3 2+2 filter elements
950 - 3 3+3 filter elements

2 - Filter length

3

3 - Valve

S Without by-pass
B With bypass
<input type="checkbox"/> With by-pass Opening pressure: on request

4 - Filter seals

a - Filter

V FPM

a - Filter element

A NBR
<input type="checkbox"/> On request

5 - Connections

Type	LMD 951 - 952 - 953
D1	PN 16 DN 80
D2	PN 16 DN 100
D3	= D1 In-Line connections
D4	= D2 In-Line connections

Type	LMD 951 - 952 - 953
F1	3" SAE 3000 psi/M
F2	3" SAE 3000 psi/UNC
F3	4" SAE 3000 psi/M
F4	4" SAE 3000 psi/UNC
F5	= F1 In-Line connections
F6	= F2 In-Line connections
F7	= F3 In-Line connections
F8	= F4 In-Line connections

6 - Filter element

A01 Inorganic microfibre* 1 µ	} Absolute filtration β _x (c) ≥ 1000
A03 Inorganic microfibre 3 µ	
A06 Inorganic microfibre 6 µ	
A10 Inorganic microfibre 10 µ	
A16 Inorganic microfibre 16 µ	
A25 Inorganic microfibre 25 µ	

* On request

M25 Wire mesh	} Nominal Filtration
M60 Wire mesh	
M90 Wire mesh	

7 - Max filter element differential pressure

N Δp 20 bar

8 - Option

a - Filter

P01 MP Filtri standard
P02 With internal tube for reduced flow rate
Pxx Customer request

b - Filter element

P01 MP Filtri standard
Pxx Customer request

Option exclusively for LMD 952 - 953: Flange with rapid oil drain plug

See page 102

CMV4 Plug G 1 1/4"
CUV4 Plug SAE 20
Order 2 kits per filter

DIFFERENTIAL INDICATORS (see page 120)

MP Filtri - The filter functions as described in this bulletin are valid exclusively for original MP Filtri filter elements and replacement parts. All rights reserved

The data in this publication are purely guideline. MP Filtri reserves the right to make changes to the models described herein at any time it deems fit in relation to technical or commercial requirements. The colours of the products shown on the cover are purely guideline. Copyright. All rights reserved.