

SERIES

CLOGGING INDICATORS



Production summary



Contamination monitoring products

- Calibrated on test rigs manufactured and certified to ISO 11943 based on methods from ISO 11171
- On-line and In-line counting to 400 bar
- Bottle sampler options
- Mobile designs RS 232 - RS 485 digital bus interface



Suction filters

- Flow rates to 620 l/min
- Mounting:
- Tank immersed
 - In-Line
 - In tank with shut off valve
 - In tank with flooded suction



Return filters

- Flow rates to 3000 l/min
 - Pressure to 20 bar
- Mounting:
- In-Line
 - Tank top
 - In single and duplex designs



Pressure filters

- Flow rates to 700 l/min
 - Pressure from 110 bar to 560 bar
- Mounting:
- In-Line
 - Manifold
 - In single and duplex designs



Spin-On filters

- Flow rates to 300 l/min
 - Pressure to 35 bar
- Mounting:
- In-Line
 - Tank top

Production summary



Stainless Steel Pressure filters

- Flow rates to 100 l/min
- Pressure from 350 bar to 700 bar

Mounting:

- In-Line
- Manifold
- In single and duplex designs



In-Line filters

- Flow rates to 3000 l/min
- Pressure to 80 bar

Mounting:

- In-Line
- Parallel manifold version
- In single and duplex designs



Filtration units

- Flow rates from 15 l/min to 200 l/min
- In static and mobile style



Accessories

- Oil filler and air breather plugs
- Optical and electrical level gauges
- Pressure gauge valve selectors
- Pipe fixing brackets
- Pressure gauges



Mechanical Products

- Aluminium bell housings for motors from 0.12 kW to 400 kW
- Couplings in Aluminium - Cast Iron - Steel
- Damping rings
- Support feet
- Aluminium tanks
- Inspection doors

Introduction

Filter elements are efficient only if their Dirt Holding Capacity is fully exploited. This is achieved by using filter housings equipped with clogging indicators.

These devices trip when the clogging of the filter element causes an increasing in pressure drop across the filter element.

The indicator is set to alarm before the element becomes fully clogged.

MP Filtri can supply indicators of the following designs:

- Vacuum switches and gauges
- Pressure switches and gauges
- Differential pressure indicators

These type of devices can be provided with a visual, electrical or both signals.

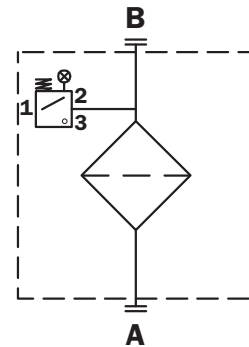
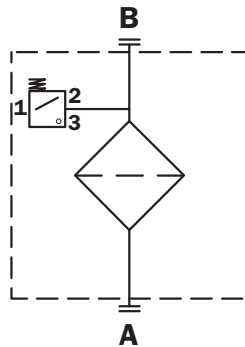
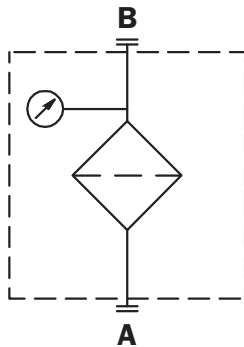
The electronic model (only available for differential type indicators) with warning signals (75% of clogging) and alarm (clogging).

Index

	PAGE
Suitable indicator types	5
Quick reference guide	6 - 7
Vacuum indicators	8
Barometric indicators	12
Differential indicators	18
Stainless Steel differential indicators	24
Comparative table Old - New code	28

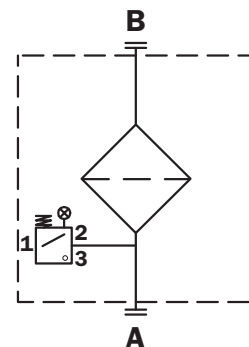
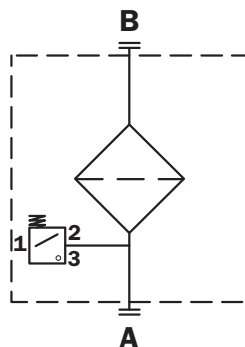
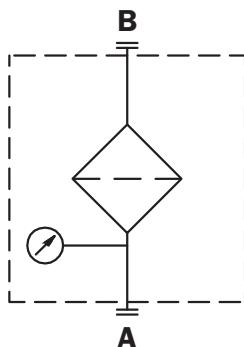
VACUUM INDICATORS

Vacuum indicators are used on the Suction line to check the efficiency of the filter element. They measure the pressure downstream of the filter element. Standard items are produced with R 1/4" EN 10226 connection. Available products with R 1/8" EN 10226 to be fitted on MPS series.



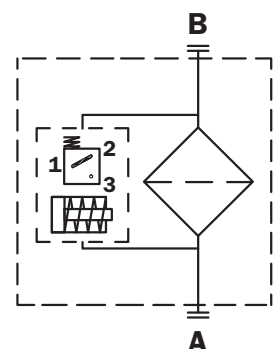
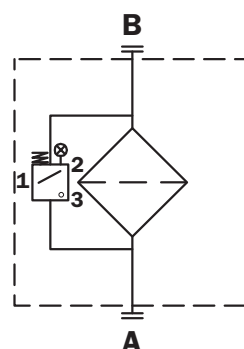
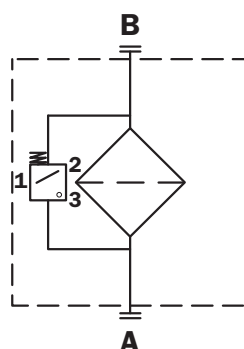
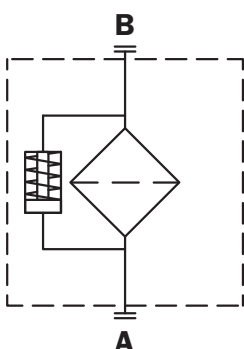
BAROMETRIC INDICATORS

Pressure indicators are used on the Return line to check the efficiency of the filter element. They measure the pressure upstream of the filter element. Standard items are produced with R 1/8" EN 10226 connection.



DIFFERENTIAL INDICATORS

Differential indicators are used on the Pressure line to check the efficiency of the filter element. They measure the pressure upstream and downstream of the filter element (differential pressure). Standard items are produced with special connection G 1/2" size. Also available in Stainless Steel models.



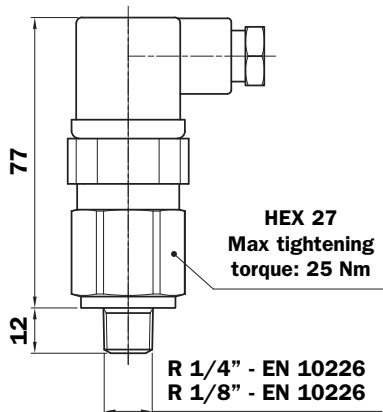
Quick reference guide

Filter series	VISUAL INDICATOR	ELECTRICAL INDICATOR	ELECTRICAL/VISUAL INDICATOR	ELECTRONIC INDICATOR
Suction filters				
SF2 250 - 251 - 350 SF2 500 - 501 - 502 - 503 - 504 - 505 SF2 510 - 535 - 540 FAS	VVA16P01 VVR16P01	VEA21AA50P01	VLA21AA51P01 VLA21AA52P01 VLA21AA53P01 VLA21AA71P01	
Return filters				
MPF - MPT with bypass 1,75 bar MPH with bypass 1,75 bar	BVA14P01 BVR14P01 BVP15HAP01 BVP15HMP01	BEA15HA50P01 BEM15HA41P01	BLA15HA51P01 BLA15HA52P01 BLA15HA53P01 BLA15HA71P01	
MPF - MPT with bypass 3 bar MPH with bypass 2,5 bar FRI 255 RF2 250	BVA25P01 BVR25P01 BVP20HAP01 BVP20HMP01	BEA20HA50P01 BEM20HA41P01	BLA20HA51P01 BLA20HA52P01 BLA20HA53P01 BLA20HA71P01	
FRI 025 - 040 - 100 - 250 - 630 - 850	DVA20xP01 DVM20xP01	DEA20xA50P01 DEM20xAxxP01	DLA20xA51P01 DLA20xA52P01 DLA20xA71P01 DLE20xA50P01 DLE20xF50P01	DTA20xF70P01
Suction/Return filters				
MRS 116 - 165 - 166 Suction line	VVB16P01 VVS16P01	VEB21AA50P01	VLB21AA51P01 VLB21AA52P01 VLB21AA53P01 VLB21AA71P01	
MRS 116 - 165 - 166 Return line	BVA14P01 BVR14P01 BVP15HAP01 BVP15HMP01	BEA15HA50P01 BEM15HA41P01	BLA15HA51P01 BLA15HA52P01 BLA15HA53P01 BLA15HA71P01	
Spin-On filters				
MPS 050 - 070 - 100 - 150 MPS 200 - 250 - 300 - 350 Suction line	VVB16P01 VVS16P01	VEB21AA50P01	VLB21AA51P01 VLB21AA52P01 VLB21AA53P01 VLB21AA71P01	
MPS 050 - 070 - 100 - 150 MPS 200 - 250 - 300 - 350 MST 050 - 070 - 100 - 150 Return line	BVA14P01 BVR14P01 BVP15HAP01 BVP15HMP01	BEA15HA50P01 BEM15HA41P01	BLA15HA51P01 BLA15HA52P01 BLA15HA53P01 BLA15HA71P01	
MPS 051 - 071 - 101 - 151 MPS 301 - 351 MSH 050 - 070 - 100 - 150 In-line	DVA12xP01 DVM12xP01	DEA12xA50P01 DEM12xAxxP01	DLA12xA51P01 DLA12xA52P01 DLA12xA71P01 DLE12xA50P01 DLE12xF50P01	

Filter series	VISUAL INDICATOR	ELECTRICAL INDICATOR	ELECTRICAL/VISUAL INDICATOR	ELECTRONIC INDICATOR
Low Pressure In-Line filters				
LMP 110 - 112 - 116 - 118 - 119 LMP 120 - 122 - 123 LMP 210 - 211 LMP 400 - 401 - 430 - 431 LMP 900 - 901 - 950 - 951 LMD 400 - 401 - 431 - 951 With bypass valve	DVA20xP01 DVM20xP01	DEA20xA50P01 DEM20xAxxP01	DLA20xA51P01 DLA20xA52P01 DLA20xA71P01 DLE20xA50P01 DLE20xF50P01	DTA20xF70P01
LMP 110 - 112 - 116 - 118 - 119 LMP 120 - 122 - 123 LMP 210 - 211 LMP 400 - 401 - 430 - 431 LMP 900 - 901 - 950 - 951 LMD 400 - 401 - 431 - 951 MPD 250 - 251 Without bypass valve	DVA50xP01 DVM50xP01	DEA50xA50P01 DEM50xAxxP01	DLA50xA51P01 DLA50xA52P01 DLA50xA71P01 DLE50xA50P01 DLE50xF50P01	DTA50xF70P01
High Pressure In-Line filters				
FMP 039 - 065 - 135 - 320 FMM 050 FHP 010 - 011 - 065 - 135 - 320 - 500 FHB 050 - 135 - 320 FHM 006 - 007 - 010 - 050 - 135 - 320 - 500 FHF 325 FHD 021 - 051 - 326 - 333 With bypass valve	DVA50xP01 DVM50xP01	DEA50xA50P01 DEM50xAxxP01	DLA50xA51P01 DLA50xA52P01 DLA50xA71P01 DLE50xA50P01 DLE50xF50P01	DTA50xF70P01
FMP 039 - 065 - 135 - 320 FMM 050 FHP 010 - 011 - 065 - 135 - 320 - 500 FHB 050 - 135 - 320 FHM 006 - 007 - 010 - 050 - 135 - 320 - 500 FHF 325 FHD 021 - 051 - 326 - 333 Without bypass valve	DVA70xP01 DVM70xP01	DEA70xA50P01 DEM70xAxxP01	DLA70xA51P01 DLA70xA52P01 DLA70xA71P01 DLE70xA50P01 DLE70xF50P01	DTA70xF70P01
Stainless Steel High Pressure In-Line filters				
FZB 039 FZP 039 - 136 FZH 010 - 011 - 039 With bypass valve	DVX50xP01 DVY50xP01	DEX50xA50P01	DLX50xA51P01 DLX50xA52P01 DLY50xA50P01	
FZB 039 FZP 039 - 136 FZH 010 - 011 - 039 Without bypass valve	DVX70xP01 DVY70xP01	DEX70xA50P01	DLX70xA51P01 DLX70xA52P01 DLY70xA50P01	

VACUUM INDICATORS

VEA - VEB



Available connections:
R 1/4" EN 10226 (VEA21AA50P01)
R 1/8" EN 10226 (VEB21AA50P01)

Electrical Vacuum Indicator

Materials:

- Body: Brass
- Internal parts: Brass - Nylon
- Seals: NBR

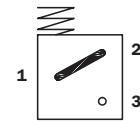
Technical data:

- Indicator type: Electrical vacuum indicator
- Setting pressure: -0,21 bar \pm 10%
- Max working pressure: 10 bar
- Proof pressure: 15 bar
- Working temperature: From -25 °C to +80 °C
- Compatibility with fluids: Mineral oils, Synthetic fluids
HFA, HFB, HFC fluids in according to ISO 2943

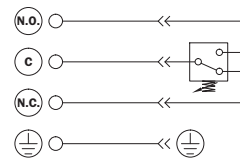
Electrical data:

- Resistive load: 5 A / 14 Vdc
4 A / 30 Vdc
5 A / 125 VAc
5 A / 250 VAc
- Electrical connections: 50 - EN 175301-803
- Protection degree: IP 65 in according to EN 60529
- Available ATEX product II 1GD Ex ia IIC Tx Ex ia IIC Tx °C X

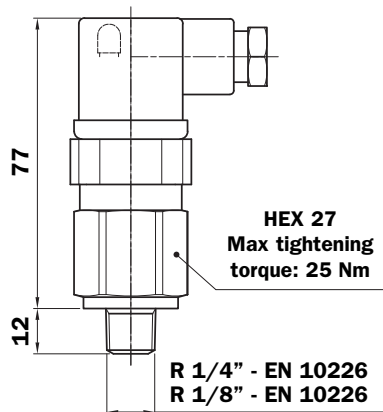
HYDRAULIC SYMBOL



ELECTRICAL SYMBOL



VLA - VLB



Available connections:
R 1/4" EN 10226 (VLA21AAxxP01)
R 1/8" EN 10226 (VLB21AAxxP01)

Electrical/Visual Vacuum Indicator

Materials:

- Body: Brass
- Internal parts: Brass - Nylon
- Seals: NBR

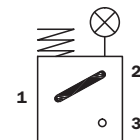
Technical data:

- Indicator type: Electrical/Visual vacuum indicator
- Setting pressure: -0,21 bar \pm 10%
- Max working pressure: 10 bar
- Proof pressure: 15 bar
- Working temperature: From -25 °C to +80 °C
- Compatibility with fluids: Mineral oils, Synthetic fluids
HFA, HFB, HFC fluids in according to ISO 2943

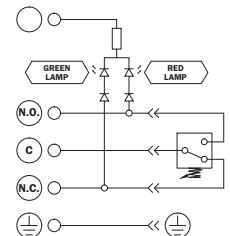
Electrical data:

- Resistive load: 51: 0,8 A / 24 Vdc
52: 0,2 A / 115 Vdc
53: 4 A / 230 Vdc
- Electrical connections: 51 - EN 175301-803 (24 Vdc lamps)
52 - EN 175301-803 (110 Vdc lamps)
53 - EN 175301-803 (230 VAc lamps)
- Protection degree: IP 65 in according to EN 60529

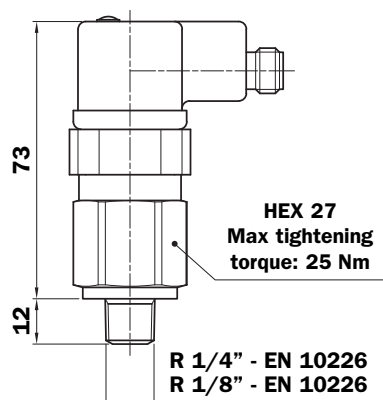
HYDRAULIC SYMBOL



ELECTRICAL SYMBOL



VLA - VLB



Available connections:
R 1/4" EN 10226 (VLA21AA71P01)
R 1/8" EN 10226 (VLB21AA71P01)

Electrical/Visual Vacuum Indicator

Materials:

- Body: Brass
- Internal parts: Brass - Nylon
- Seals: NBR

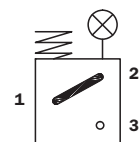
Technical data:

- Indicator type: Electrical/Visual vacuum indicator
- Setting pressure: -0,21 bar \pm 10%
- Max working pressure: 10 bar
- Proof pressure: 15 bar
- Working temperature: From -25 °C to +80 °C
- Compatibility with fluids: Mineral oils, Synthetic fluids
HFA, HFB, HFC fluids in according to ISO 2943

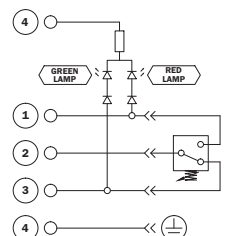
Electrical data:

- Resistive load: 0,4 A / 24 Vdc
- Electrical connections: 71 - M12 IEC 61076-2-101 (24 Vdc lamps)
- Protection degree: IP 65 in according to EN 60529

HYDRAULIC SYMBOL

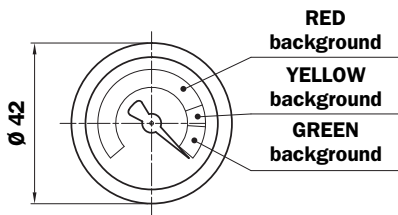


ELECTRICAL SYMBOL

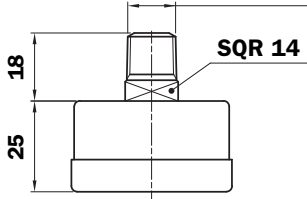


VACUUM INDICATORS

VVA - VVB



R 1/4" - EN 10226
R 1/8" - EN 10226



Available connections:
R 1/4" EN 10226 (VVA16P01)
R 1/8" EN 10226 (VVB16P01)

Axial Vacuum Gauge

Materials:

- Case: Painted Steel
- Window: Clear plastic
- Dial: Painted Steel
- Pointer: Painted Aluminium
- Pressure connection: Brass
- Pressure element: Bourdon tub Cu-alloy soft soldered

Technical data:

- Indicator type: Axial vacuum gauge
- Max working pressure: Static: 7 bar
Fluctuating: 6 bar
Short time: 10 bar
- Working temperature: From -40 °C to +60 °C
- Compatibility with fluids: Mineral oils, Synthetic fluids
HFA, HFB, HFC fluids in according to ISO 2943
- Accuracy class: cl. 2.5
- Protection degree: IP 31 in according to EN 60529

HYDRAULIC SYMBOL



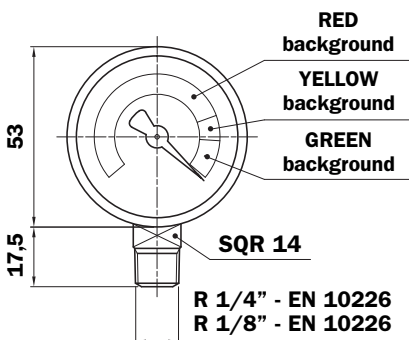
GRADUATED DISPLAY

GREEN BACKGROUND
(from 0 to -12 cmHg)
Clean filter element

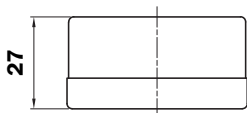
YELLOW BACKGROUND
(from -12 to -18 cmHg)
Warning

RED BACKGROUND
(from -18 to -76 cmHg)
Bypass

VVR - VVS



R 1/4" - EN 10226
R 1/8" - EN 10226



Available connections:
R 1/4" EN 10226 (VVR16P01)
R 1/8" EN 10226 (VVS16P01)

Radial Vacuum Gauge

Materials:

- Case: Painted Steel
- Window: Clear plastic
- Dial: Painted Steel
- Pointer: Painted Aluminium
- Pressure connection: Brass
- Pressure element: Bourdon tub Cu-alloy soft soldered

Technical data:

- Indicator type: Radial vacuum gauge
- Max working pressure: Static: 7 bar
Fluctuating: 6 bar
Short time: 10 bar
- Working temperature: From -40 °C to +60 °C
- Compatibility with fluids: Mineral oils, Synthetic fluids
HFA, HFB, HFC fluids in according to ISO 2943
- Accuracy class: cl. 2.5
- Protection degree: IP 31 in according to EN 60529

HYDRAULIC SYMBOL



GRADUATED DISPLAY

GREEN BACKGROUND
(from 0 to -12 cmHg)
Clean filter element

YELLOW BACKGROUND
(from -12 to -18 cmHg)
Warning

REDBACKGROUND
(from -18 to -76 cmHg)
Bypass

Ordering information VE - VL - VV

Series	1	2	3	4	5	6	7
VE	<input type="checkbox"/>	<input type="checkbox"/>	<input type="checkbox"/>	<input type="checkbox"/>	<input type="checkbox"/>	<input type="checkbox"/>	<input type="checkbox"/>
Example:	VE	A	21	A	A	50	P01

Series	1	2	3	4	5	6	7
VL	<input type="checkbox"/>	<input type="checkbox"/>	<input type="checkbox"/>	<input type="checkbox"/>	<input type="checkbox"/>	<input type="checkbox"/>	<input type="checkbox"/>
Example:	VL	A	21	A	A	52	P01

Series	1	2	3	7
VV	<input type="checkbox"/>	<input type="checkbox"/>	<input type="checkbox"/>	<input type="checkbox"/>
Example:	VV	A	16	P01

1 - Series

<input type="checkbox"/> VE	Electrical indicator
<input type="checkbox"/> VL	Electrical/Visual indicator
<input type="checkbox"/> VV	Visual indicator

2 - Type

VE - VL series

<input type="checkbox"/> A	R 1/4" EN 10226 connection
<input type="checkbox"/> B	R 1/8" EN 10226 connection

VV series

<input type="checkbox"/> A	Axial vacuumeter R 1/4" EN 10226 connection
<input type="checkbox"/> B	Axial vacuumeter R 1/8" EN 10226 connection
<input type="checkbox"/> R	Radial vacuumeter R 1/4" EN 10226 connection
<input type="checkbox"/> S	Radial vacuumeter R 1/8" EN 10226 connection

3 - Setting pressure

VEA - VLA series

<input type="checkbox"/> 21	-0,21 bar
------------------------------------	-----------

VVA - VVR series

<input type="checkbox"/> 16	-0,16 bar
------------------------------------	-----------

4 - Seals (excluded for VV)

<input type="checkbox"/> A	NBR
<input type="checkbox"/>	On request

5 - Thermostat (excluded for VV)

<input type="checkbox"/> A	Without thermostat
-----------------------------------	--------------------

6 - Electrical connection (excluded for VV)

VEA series

<input type="checkbox"/> 50	EN 175301-803 connector
------------------------------------	-------------------------

VLA series

<input type="checkbox"/> 51	EN 175301-803 clear connector with 24 V lamps
<input type="checkbox"/> 52	EN 175301-803 clear connector with 110 V lamps
<input type="checkbox"/> 53	EN 175301-803 clear connector with 230 V lamps
<input type="checkbox"/> 71	M12 IEC 61076-2-101 clear connector with 24 V lamps

7 - Option

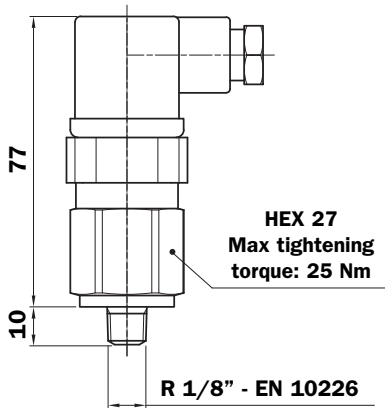
<input type="checkbox"/> P01	MP Filtri standard
<input type="checkbox"/> Pxx	Customer request

MP Filtri - The filter functions as described in this bulletin are valid exclusively for original MP Filtri filter elements and replacement parts. All rights reserved

The data in this publication are purely guideline. MP Filtri reserves the right to make changes to the models described herein at any time it deems fit in relation to technical or commercial requirements. The colours of the products shown on the cover are purely guideline. Copyright. All rights reserved.

BAROMETRIC INDICATORS

BEA



Available setting:
1,5 bar $\pm 10\%$ (BEA15HA50P01)
2 bar $\pm 10\%$ (BEA20HA50P01)

Electrical Pressure Indicator

Materials:

- Body: Brass
- Internal parts: Brass - Nylon
- Seals: NBR

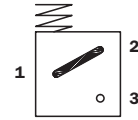
Technical data:

- Indicator type: Electrical pressure indicator
- Max working pressure: 40 bar
- Proof pressure: 60 bar
- Working temperature: From -25°C to $+80^{\circ}\text{C}$
- Compatibility with fluids: Mineral oils, Synthetic fluids
HFA, HFB, HFC fluids in according to ISO 2943

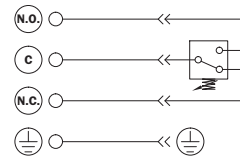
Electrical data:

- Resistive load: 5 A / 14 VDC
4 A / 30 VDC
5 A / 125 VAC
5 A / 250 VAC
- Electrical connections: 50 - EN 175301-803
- Protection degree: IP 65 in according to EN 60529
- Available Atex product II 1GD Ex ia IIC Tx Ex ia IIC Tx $^{\circ}\text{C}$ X

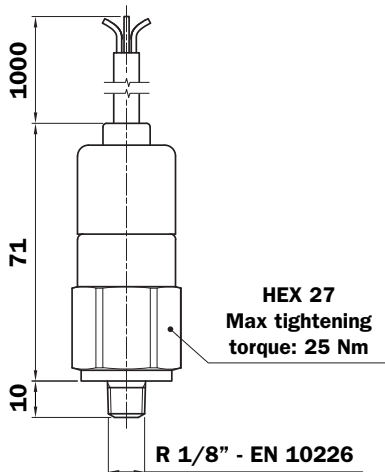
HYDRAULIC SYMBOL



ELECTRICAL SYMBOL



BEM



Available setting:
1,5 bar $\pm 10\%$ (BEM15HA50P01)
2 bar $\pm 10\%$ (BEM20HA50P01)

Electrical Pressure Indicator

Materials:

- Body: Brass
- Internal parts: Brass - Nylon
- Seals: HNBR

Technical data:

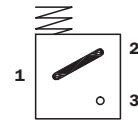
- Indicator type: Electrical pressure indicator
- Max working pressure: 40 bar
- Proof pressure: 60 bar
- Working temperature: From -25°C to $+80^{\circ}\text{C}$
- Compatibility with fluids: Mineral oils, Synthetic fluids
HFA, HFB, HFC fluids in according to ISO 2943

Electrical data:

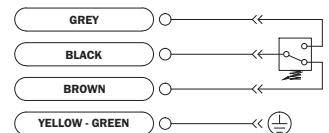
- Resistive load: 5 A / 14 VDC
4 A / 30 VDC
5 A / 125 VAC
5 A / 250 VAC
- Electrical connections: 50 - EN 175301-803
- Protection degree: IP 67 in according to EN 60529

On request this indicator can be provided with main connectors in use for wirings.

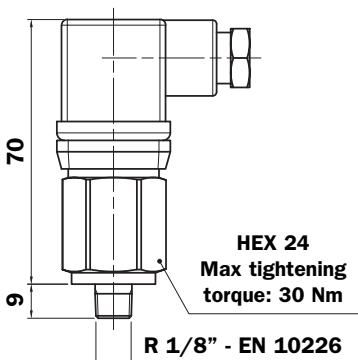
HYDRAULIC SYMBOL



ELECTRICAL SYMBOL



BET



Available setting:
1,5 bar $\pm 10\%$ (BEM15HA50P01)
2 bar $\pm 10\%$ (BEM20HA50P01)

Electrical Pressure Indicator

Materials:

- Body: Brass
- Base - Ring: Nylon
- Contact: Silver
- Seals: HNBR

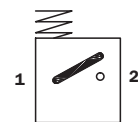
Technical data:

- Pressure switch type: Electrical pressure switch
- Pressure setting: 2,5 bar $\pm 10\%$
- Working pressure: 10 bar
- Proof pressure: 15 bar
- Max working temperature: $+100^{\circ}\text{C}$
- Compatibility with fluids: Mineral oils, Synthetic fluids
HFA, HFB, HFC fluids in according to ISO 2943

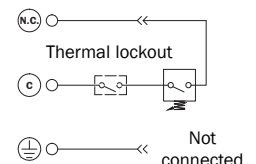
Electrical data:

- Electrical condition: Normally closed single contact
- Resistive load: 0,5 A / 48 Vdc
- Thermostat condition: Open up to 30°C
- CE certification
- Protection degree: IP 65 in according to EN 60529

HYDRAULIC SYMBOL

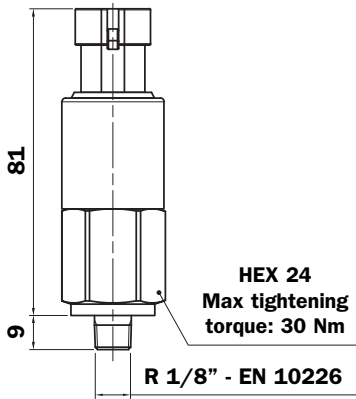


ELECTRICAL SYMBOL



BAROMETRIC INDICATORS

BET



Available setting:
1,5 bar $\pm 10\%$ (BLA15HAxxP01)
2 bar $\pm 10\%$ (BLA20HAxxP01)

Electrical Pressure Indicator

Materials:

- Body: Brass
- Base - Ring: Nylon
- Contact: Silver
- Seals: HNBR

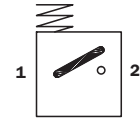
Technical data:

- Pressure switch type: Electrical pressure switch
- Pressure setting: 2,5 bar $\pm 10\%$
- Working pressure: 10 bar
- Proof pressure: 15 bar
- Max working temperature: $+100^\circ\text{C}$
- Compatibility with fluids: Mineral oils, Synthetic fluids
HFA, HFB, HFC fluids in according to ISO 2943

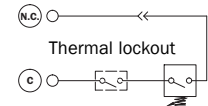
Electrical data:

- Electrical condition: Normally closed single contact
- Resistive load: 0,5 A / 48 VDC
- Thermostat condition: Open up to 30°C
- CE certification
- Protection degree: IP 65 in according to EN 60529

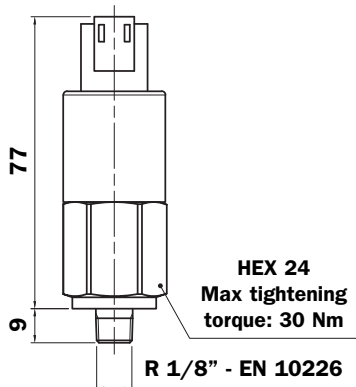
HYDRAULIC SYMBOL



ELECTRICAL SYMBOL



BET



Available setting:
1,5 bar $\pm 10\%$ (BLA15HAxxP01)
2 bar $\pm 10\%$ (BLA20HAxxP01)

Electrical Pressure Indicator

Materials:

- Body: Brass
- Base - Ring: Nylon
- Contact: Silver
- Seals: HNBR

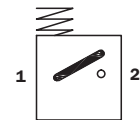
Technical data:

- Pressure switch type: Electrical pressure switch
- Pressure setting: 2,5 bar $\pm 10\%$
- Working pressure: 10 bar
- Proof pressure: 15 bar
- Max working temperature: $+100^\circ\text{C}$
- Compatibility with fluids: Mineral oils, Synthetic fluids
HFA, HFB, HFC fluids in according to ISO 2943

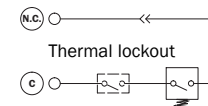
Electrical data:

- Electrical condition: Normally closed single contact
- Resistive load: 0,5 A / 48 Vdc
- Thermostat condition: Open up to 30°C
- CE certification
- Protection degree: IP 65 in according to EN 60529

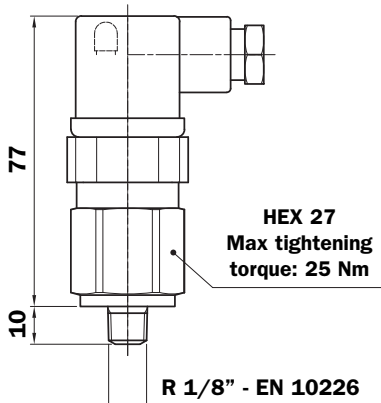
HYDRAULIC SYMBOL



ELECTRICAL SYMBOL



BLA



Available setting:
1,5 bar $\pm 10\%$ (BLA15HAxxP01)
2 bar $\pm 10\%$ (BLA20HAxxP01)

Electrical/Visual Pressure Indicator

Materials:

- Body: Brass
- Internal parts: Brass - Nylon
- Seals: NBR

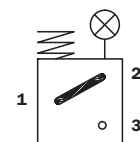
Technical data:

- Indicator type: Electrical/Visual pressure indicator
- Max working pressure: 40 bar
- Proof pressure: 60 bar
- Working temperature: From -25°C to $+80^\circ\text{C}$
- Compatibility with fluids: Mineral oils, Synthetic fluids
HFA, HFB, HFC fluids in according to ISO 2943

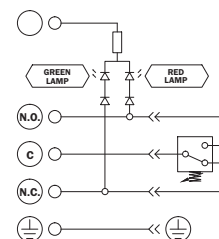
Electrical data:

- Resistive load: 51: 0,8 A / 24 VDC
52: 0,2 A / 115 VDC
53: 4 A / 230 VDC
- Electrical connections: 51 - EN 175301-803 (24 VDC lamps)
52 - EN 175301-803 (110 VDC lamps)
53 - EN 175301-803 (230 VAC lamps)
- Protection degree: IP 65 in according to EN 60529

HYDRAULIC SYMBOL

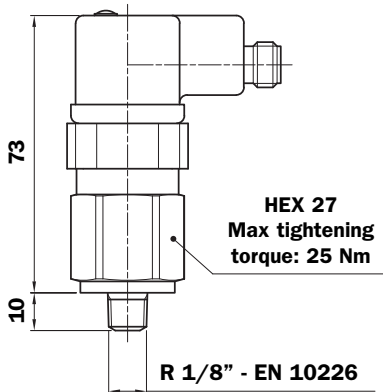


ELECTRICAL SYMBOL



BAROMETRIC INDICATORS

BLA



Available setting:
1,5 bar $\pm 10\%$ (BLA15HA71P01)
2 bar $\pm 10\%$ (BLA20HA71P01)

Electrical/Visual Pressure Indicator

Materials:

- Body: Brass
- Internal parts: Brass - Nylon
- Seals: NBR

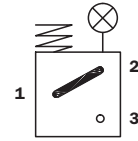
Technical data:

- Indicator type: Electrical/Visual pressure indicator
- Max working pressure: 40 bar
- Proof pressure: 60 bar
- Working temperature: From -25°C to $+80^{\circ}\text{C}$
- Compatibility with fluids: Mineral oils, Synthetic fluids
HFA, HFB, HFC fluids in according to ISO 2943

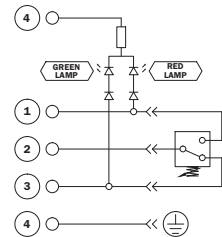
Electrical data:

- Resistive load: 0,4 A / 24 VDC
- Electrical connections: 71 - M12 IEC 61076-2-101 (24 VDC lamps)
- Protection degree: IP 65 in according to EN 60529

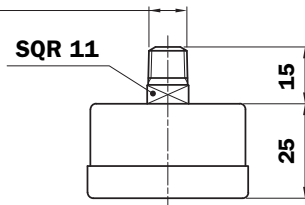
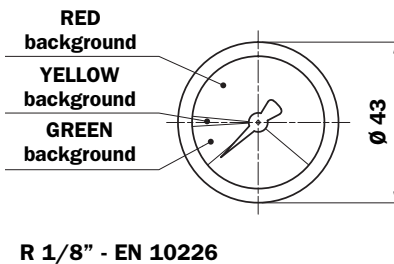
HYDRAULIC SYMBOL



ELECTRICAL SYMBOL



BVA



Available setting:
1,4 bar $\pm 10\%$ (BVA14P01)
2,5 bar $\pm 10\%$ (BVA25P01)

Axial Pressure Gauge

Materials:

- Case: Painted Steel
- Window: Clear plastic
- Dial: Painted Steel
- Pointer: Painted Aluminium
- Pressure connection: Brass
- Pressure element: Bourdon tub cu-alloy soft soldered

Technical data:

- Indicator type: Axial pressure gauge
- Max working pressure: Static: 7 bar
Fluctuating: 6 bar
Short time: 10 bar
- Working temperature: From -40°C to $+60^{\circ}\text{C}$
- Compatibility with fluids: Mineral oils, Synthetic fluids
HFA, HFB, HFC fluids in according to ISO 2943
- Accuracy class: cl. 2.5
- Protection degree: IP 31 in according to EN 60529

HYDRAULIC SYMBOL

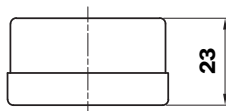
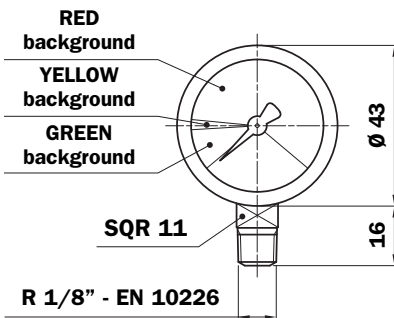


GRADUATED DISPLAY

BVA14P01
GREEN BACKGROUND (from 0 to 1,4 bar)
Clean filter element
YELLOW BACKGROUND (from 1,4 to 1,7 bar)
Warning
RED BACKGROUND (from 1,7 to 10 bar)
Bypass

BVA25P01
GREEN BACKGROUND (from 0 to 2,5 bar)
Clean filter element
YELLOW BACKGROUND (from 2,5 to 3 bar)
Warning
RED BACKGROUND (from 3 to 10 bar)
Bypass

BVR



Available setting:
1,4 bar $\pm 10\%$ (BVR14P01)
2,5 bar $\pm 10\%$ (BVR25P01)

Radial Pressure Gauge

Materials:

- Case: Painted Steel
- Window: Clear plastic
- Dial: Painted Steel
- Pointer: Painted Aluminium
- Pressure connection: Brass
- Pressure element: Bourdon tub cu-alloy soft soldered

Technical data:

- Indicator type: Radial pressure gauge
- Max working pressure: Static: 7 bar
Fluctuating: 6 bar
Short time: 10 bar
- Working temperature: From -40°C to $+60^{\circ}\text{C}$
- Compatibility with fluids: Mineral oils, Synthetic fluids
HFA, HFB, HFC fluids in according to ISO 2943
- Accuracy class: cl. 2.5
- Protection degree: IP 31 in according to EN 60529

HYDRAULIC SYMBOL



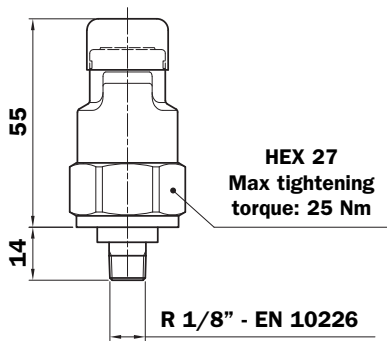
GRADUATED DISPLAY

BVR14P01
GREEN BACKGROUND (from 0 to 1,4 bar)
Clean filter element
YELLOW BACKGROUND (from 1,4 to 1,7 bar)
Warning
RED BACKGROUND (from 1,7 to 10 bar)
Bypass

BVR25P01
GREEN BACKGROUND (from 0 to 2,5 bar)
Clean filter element
YELLOW BACKGROUND (from 2,5 to 3 bar)
Warning
RED BACKGROUND (from 3 to 10 bar)
Bypass

BAROMETRIC INDICATORS

BVP - BVQ



Available setting:
 1,5 bar $\pm 10\%$ (BVP15AP01 - BVQ15AP01)
 2 bar $\pm 10\%$ (BVP20AP01 - BVQ20AP01)

Visual Pressure Indicator

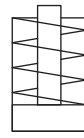
Materials:

- Body: Brass
- Internal parts: Nylon
- Seals: NBR

Technical data:

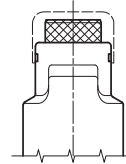
- Indicator type: Visual pressure indicator
- Reset: BVP - Automatic reset
BVQ - Manual reset
- Max working pressure: 10 bar
- Proof pressure: 15 bar
- Working temperature: From -25 °C to +80 °C
- Compatibility with fluids: Mineral oils, Synthetic fluids
HFA, HFB, HFC fluids in according to ISO 2943
- Protection degree: IP 45 in according to EN 60529

HYDRAULIC SYMBOL

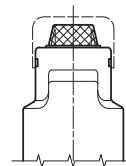


SIGNALS

GREEN BUTTON: INLET PRESSURE



RED BUTTON: CLOGGED FILTER ELEMENT



Ordering information BE - BL - BV

Series	1	2	3	4	5	6	7
BE	<input type="checkbox"/>	<input type="checkbox"/>	<input type="checkbox"/>	<input type="checkbox"/>	<input type="checkbox"/>	<input type="checkbox"/>	<input type="checkbox"/>
Example:	BE	A	20	H	A	50	P01

Series	1	2	3	4	5	6	7
BL	<input type="checkbox"/>	<input type="checkbox"/>	<input type="checkbox"/>	<input type="checkbox"/>	<input type="checkbox"/>	<input type="checkbox"/>	<input type="checkbox"/>
Example:	BL	A	20	H	A	52	P01

Series	1	2	3	4	7
BV	<input type="checkbox"/>	<input type="checkbox"/>	<input type="checkbox"/>	<input type="checkbox"/>	<input type="checkbox"/>
Example:	BV	P	20	H	P01

Series	1	2	3	7
BV	<input type="checkbox"/>	<input type="checkbox"/>	<input type="checkbox"/>	<input type="checkbox"/>
Example:	BV	A	14	P01

1 - Series

<input type="checkbox"/> BE	Electrical indicator
<input type="checkbox"/> BL	Electrical/Visual indicator
<input type="checkbox"/> BV	Visual indicator

2 - Type

BE series

<input type="checkbox"/> A	Standard type
<input type="checkbox"/> M	With wired connector

BL series

<input type="checkbox"/> A	Standard type
-----------------------------------	---------------

BV series

<input type="checkbox"/> A	Axial manometer
<input type="checkbox"/> R	Radial manometer
<input type="checkbox"/> P	Visual pressure indicator - Automatic reset
<input type="checkbox"/> Q	Visual pressure indicator - Manual reset

3 - Setting pressure

BEA - BEM - BLA - BVP series

<input type="checkbox"/> 15	1,5 bar
<input type="checkbox"/> 20	2 bar

BVA - BVR series

<input type="checkbox"/> 14	1,4 bar
<input type="checkbox"/> 25	2,5 bar

4 - Seals (excluded for BVA - BVR)

<input type="checkbox"/> H	HNBR
<input type="checkbox"/>	On request

5 - Thermostat (excluded for BV)

<input type="checkbox"/> A	Without thermostat
-----------------------------------	--------------------

6 - Electrical connection (excluded for BV)

BEA series

<input type="checkbox"/> 50	EN 175301-803 connector
------------------------------------	-------------------------

BEM series

<input type="checkbox"/> 41	Four core cable
<input type="checkbox"/>	On request

BLA series

<input type="checkbox"/> 51	EN 175301-803 clear connector with 24 V lamps
<input type="checkbox"/> 52	EN 175301-803 clear connector with 110 V lamps
<input type="checkbox"/> 53	EN 175301-803 clear connector with 230 V lamps
<input type="checkbox"/> 71	M12 IEC 61076-2-101 clear connector with 24 V lamps

7 - Option

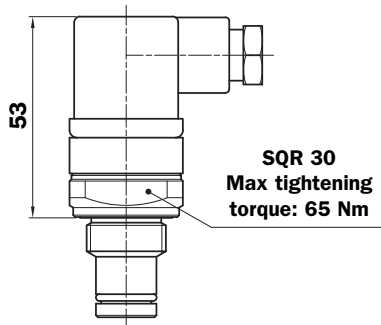
<input type="checkbox"/> P01	MP Filtri standard
<input type="checkbox"/> Pxx	Customer request

MP Filtri - The filter functions as described in this bulletin are valid exclusively for original MP Filtri filter elements and replacement parts. All rights reserved

The data in this publication are purely guideline. MP Filtri reserves the right to make changes to the models described herein at any time it deems fit in relation to technical or commercial requirements. The colours of the products shown on the cover are purely guideline. Copyright. All rights reserved.

DIFFERENTIAL INDICATORS

DEA



Available setting:
 1,2 bar ±10% (DEA12xA50P01)
 2 bar ±10% (DEA20xA50P01)
 5 bar ±10% (DEA50xA50P01)
 7 bar ±10% (DEA70xA50P01)
 9,5 bar ±10% (DEA95xA50P01)

Electrical Differential Indicator

Materials:

- Body: Brass
- Internal parts: Brass - Nylon
- Seals: HNBR - FPM

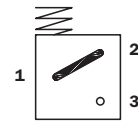
Technical data:

- Indicator type: Electrical differential indicator
- Max working pressure: 420 bar
- Proof pressure: 630 bar
- Burst pressure: 1260 bar
- Working temperature: From -25 °C to +110 °C
- Compatibility with fluids: Mineral oils, Synthetic fluids
HFA, HFB, HFC fluids in according to ISO 2943

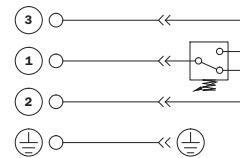
Electrical data:

- Resistive load: 0,2 A / 115 Vdc
- Electrical connections: 50 - EN 175301-803
- Protection degree: IP 66 in according to EN 60529
IP 69K in according to ISO 20653

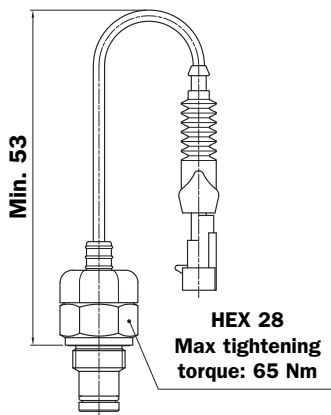
HYDRAULIC SYMBOL



ELECTRICAL SYMBOL



DEM



Available setting:
 1,2 bar ±10% (DEM12xx10P01)
 2 bar ±10% (DEM20xx10P01)
 5 bar ±10% (DEM50xx10P01)
 7 bar ±10% (DEM70xx10P01)
 9,5 bar ±10% (DEM95xx10P01)

Electrical Differential Indicator

Materials:

- Body: Brass
- Internal parts: Brass - Nylon
- Seals: HNBR - FPM

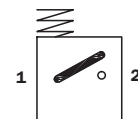
Technical data:

- Indicator type: Electrical differential indicator
- Max working pressure: 420 bar
- Proof pressure: 630 bar
- Burst pressure: 1260 bar
- Working temperature: From -25 °C to +110 °C
- Compatibility with fluids: Mineral oils, Synthetic fluids
HFA, HFB, HFC fluids in according to ISO 2943

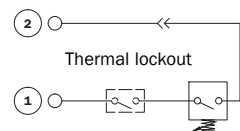
Electrical data:

- Resistive load: 0,2 A / 115 Vdc
- Electrical connections: 10 - AMP Superseal series 1,5
- Switching type: Normally open contacts (N.C. on request)
- Thermal lockout: Normally open up to 30 °C (F option)
- Protection degree: IP 66 in according to EN 60529

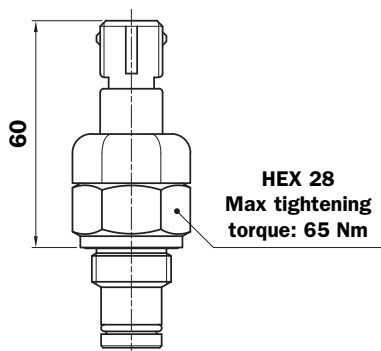
HYDRAULIC SYMBOL



ELECTRICAL SYMBOL



DEM



Available setting:
 1,2 bar ±10% (DEM12xx20P01)
 2 bar ±10% (DEM20xx20P01)
 5 bar ±10% (DEM50xx20P01)
 7 bar ±10% (DEM70xx20P01)
 9,5 bar ±10% (DEM95xx20P01)

Electrical Differential Indicator

Materials:

- Body: Brass
- Internal parts: Brass - Nylon
- Seals: HNBR - FPM

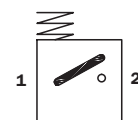
Technical data:

- Indicator type: Electrical differential indicator
- Max working pressure: 420 bar
- Proof pressure: 630 bar
- Burst pressure: 1260 bar
- Working temperature: From -25 °C to +110 °C
- Compatibility with fluids: Mineral oils, Synthetic fluids
HFA, HFB, HFC fluids in according to ISO 2943

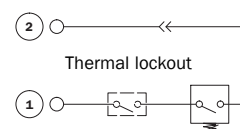
Electrical data:

- Resistive load: 0,2 A / 115 Vdc
- Electrical connections: 20 - AMP Time junior
- Switching type: Normally open contacts (N.C. on request)
- Thermal lockout: Normally open up to 30 °C (F option)
- Protection degree: IP 66 in according to EN 60529

HYDRAULIC SYMBOL

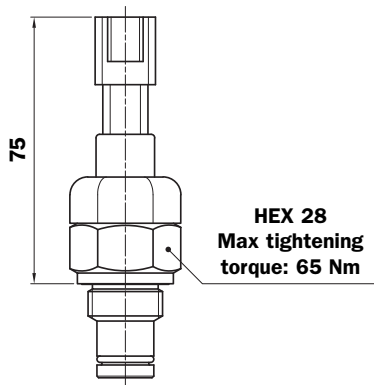


ELECTRICAL SYMBOL



DIFFERENTIAL INDICATORS

DEM



Available setting:
 1,2 bar ±10% (DEM12xx30P01)
 2 bar ±10% (DEM20xx30P01)
 5 bar ±10% (DEM50xx30P01)
 7 bar ±10% (DEM70xx30P01)
 9,5 bar ±10% (DEM95xx30P01)

Electrical Differential Indicator

Materials:

- Body: Brass
- Internal parts: Brass - Nylon
- Seals: HNBR - FPM

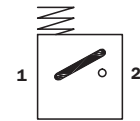
Technical data:

- Indicator type: Electrical differential indicator
- Max working pressure: 420 bar
- Proof pressure: 630 bar
- Burst pressure: 1260 bar
- Working temperature: From -25 °C to +110 °C
- Compatibility with fluids: Mineral oils, Synthetic fluids
HFA, HFB, HFC fluids in according to ISO 2943

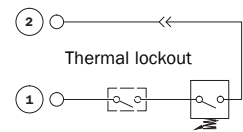
Electrical data:

- Resistive load: 0,2 A / 115 Vdc
- Electrical connections: 30 - Deutsch DT-04-2-P
- Switching type: Normally open contacts (N.C. on request)
- Thermal lockout: Normally open up to 30 °C (F option)
- Protection degree: IP 66 in according to EN 60529

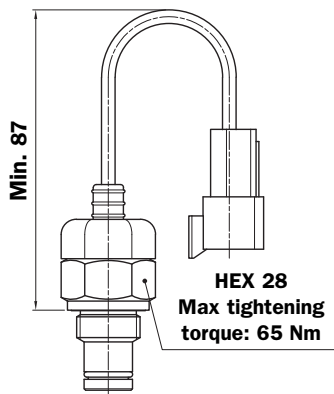
HYDRAULIC SYMBOL



ELECTRICAL SYMBOL



DEM



Available setting:
 1,2 bar ±10% (DEM12xx35P01)
 2 bar ±10% (DEM20xx35P01)
 5 bar ±10% (DEM50xx35P01)
 7 bar ±10% (DEM70xx35P01)
 9,5 bar ±10% (DEM95xx35P01)

Electrical Differential Indicator

Materials:

- Body: Brass
- Internal parts: Brass - Nylon
- Seals: HNBR - FPM

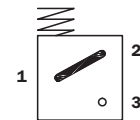
Technical data:

- Indicator type: Electrical differential indicator
- Max working pressure: 420 bar
- Proof pressure: 630 bar
- Burst pressure: 1260 bar
- Working temperature: From -25 °C to +110 °C
- Compatibility with fluids: Mineral oils, Synthetic fluids
HFA, HFB, HFC fluids in according to ISO 2943

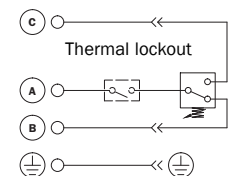
Electrical data:

- Resistive load: 0,2 A / 115 Vdc
- Electrical connections: 35 - Deutsch DT-04-3-P
- Switching type: SPDT contact
- Thermal lockout: Normally open up to 30 °C (F option)
- Protection degree: IP 66 in according to EN 60529

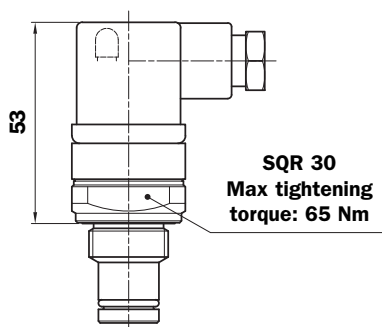
HYDRAULIC SYMBOL



ELECTRICAL SYMBOL



DLA



Available setting:
 1,2 bar ±10% (DLA12xAxxP01)
 2 bar ±10% (DLA20xAxxP01)
 5 bar ±10% (DLA50xAxxP01)
 7 bar ±10% (DLA70xAxxP01)
 9,5 bar ±10% (DLA95xAxxP01)

Electrical/Visual Differential Indicator

Materials:

- Body: Brass
- Internal parts: Brass - Nylon
- Seals: HNBR - FPM

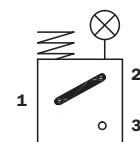
Technical data:

- Indicator type: Electrical/Visual differential indicator
- Max working pressure: 420 bar
- Proof pressure: 630 bar
- Burst pressure: 1260 bar
- Working temperature: From -25 °C to +110 °C
- Compatibility with fluids: Mineral oils, Synthetic fluids
HFA, HFB, HFC fluids in according to ISO 2943

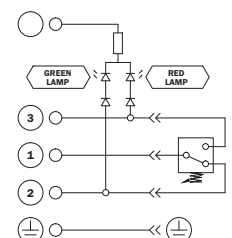
Electrical data:

- Resistive load: 51: 0,8 A / 24 Vdc
52: 0,2 A / 115 Vdc
- Electrical connections: 51 - EN 175301-803 (24 Vdc lamps)
52 - EN 175301-803 (110 Vdc lamps)
- Protection degree: IP 66 in according to EN 60529
IP 69K in according to ISO 20653

HYDRAULIC SYMBOL

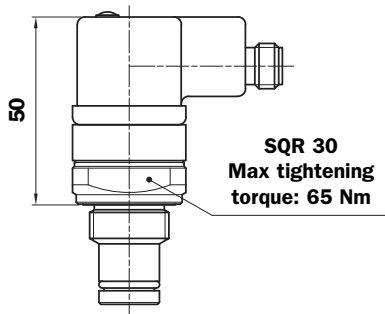


ELECTRICAL SYMBOL



DIFFERENTIAL INDICATORS

DLA



Available setting:

- 1,2 bar ±10% (DLA12xA71P01)
- 2 bar ±10% (DLA20xA71P01)
- 5 bar ±10% (DLA50xA71P01)
- 7 bar ±10% (DLA70xA71P01)
- 9,5 bar ±10% (DLA95xA71P01)

Electrical/Visual Differential Indicator

Materials:

- Body: Brass
- Internal parts: Brass - Nylon
- Seals: HNBR - FPM

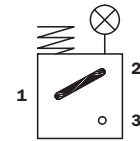
Technical data:

- Indicator type: Electrical/Visual differential indicator
- Max working pressure: 420 bar
- Proof pressure: 630 bar
- Burst pressure: 1260 bar
- Working temperature: From -25 °C to +110 °C
- Compatibility with fluids: Mineral oils, Synthetic fluids
HFA, HFB, HFC fluids in according to ISO 2943

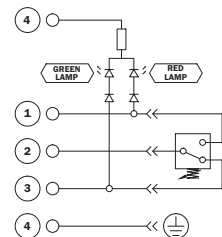
Electrical data:

- Resistive load: 0,4 A / 24 Vdc
- Electrical connections: 71 - M12 IEC 61076-2-101 (24 Vdc lamps)
- Protection degree: IP 65 in according to EN 60529
IP 69K in according to ISO 20653

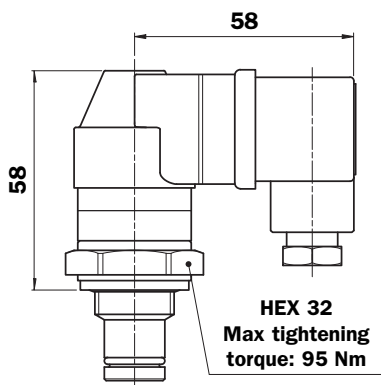
HYDRAULIC SYMBOL



ELECTRICAL SYMBOL



DLE



Available setting:

- 1,2 bar ±10% (DLE12VA50P01)
- 2 bar ±10% (DLE20VA50P01)
- 5 bar ±10% (DLE50VA50P01)
- 7 bar ±10% (DLE70VA50P01)
- 9,5 bar ±10% (DLE95VA50P01)

Electrical/Visual Differential Indicator

Materials:

- Body: Brass
- Internal parts: Brass - Nylon
- Seals: FPM

Technical data:

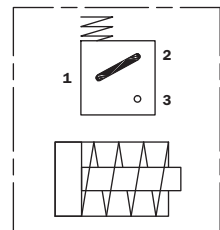
- Indicator type: Electrical/Visual differential indicator
- Max working pressure: 420 bar
- Proof pressure: 630 bar
- Burst pressure: 1260 bar
- Working temperature: From -25 °C to +110 °C
- Compatibility with fluids: Mineral oils, Synthetic fluids
HFA, HFB, HFC fluids in according to ISO 2943

Electrical data:

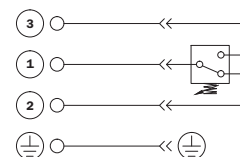
- Resistive load: 5 A / 250 VAC
- Electrical connections: 50 - EN 175301-803
- Protection degree: IP 65 in according to EN 60529

Available the connector with lamps

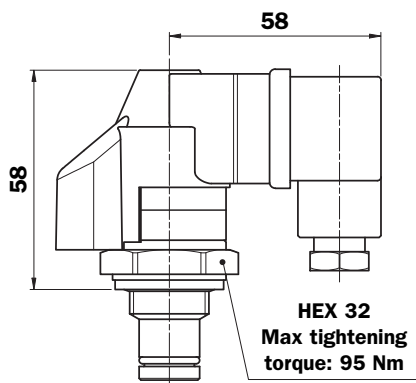
HYDRAULIC SYMBOL



ELECTRICAL SYMBOL



DLE



Available setting:

- 1,2 bar ±10% (DLE12VF50P01)
- 2 bar ±10% (DLE20VF50P01)
- 5 bar ±10% (DLE50VF50P01)
- 7 bar ±10% (DLE70VF50P01)
- 9,5 bar ±10% (DLE95VF50P01)

Electrical/Visual Differential Indicator

Materials:

- Body: Brass
- Internal parts: Brass - Nylon
- Seals: FPM

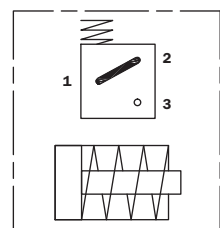
Technical data:

- Indicator type: Electrical/Visual differential indicator
- Max working pressure: 420 bar
- Proof pressure: 630 bar
- Burst pressure: 1260 bar
- Working temperature: From -25 °C to +110 °C
- Compatibility with fluids: Mineral oils, Synthetic fluids
HFA, HFB, HFC fluids in according to ISO 2943

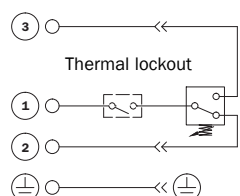
Electrical data:

- Resistive load: 5 A / 250 VAC
- Thermal lockout setting: +30 °C
- Electrical connections: 50 - EN 175301-803
- Protection degree: IP 65 in according to EN 60529

HYDRAULIC SYMBOL

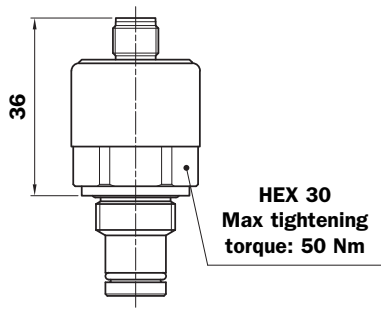


ELECTRICAL SYMBOL



DIFFERENTIAL INDICATORS

DTA



Available setting:
 1,2 bar ±10% (DTA12xF70P01)
 2 bar ±10% (DTA20xF70P01)
 5 bar ±10% (DTA50xF70P01)
 7 bar ±10% (DTA70xF70P01)
 9,5 bar ±10% (DTA95xF70P01)

Electronic Differential Indicator

Materials:

- Body: Brass
- Internal parts: Brass - Nylon
- Seals: NBR

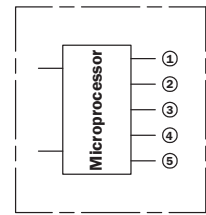
Technical data:

- Indicator type: Electronic differential indicator
- Max working pressure: 420 bar
- Proof pressure: 630 bar
- Burst pressure: 1260 bar
- Working temperature: From -25 °C to +110 °C
- Compatibility with fluids: Mineral oils, Synthetic fluids
HFA, HFB, HFC fluids in according to ISO 2943

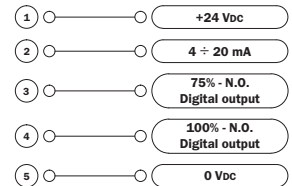
Electrical data:

- Power supply: 24 VDC
- Analogue output: From 4 to 20 mA
- Thermal lockout: 30 °C (all output signals stalled up to 30 °C)
- Protection degree: IP 67 in according to EN 60529

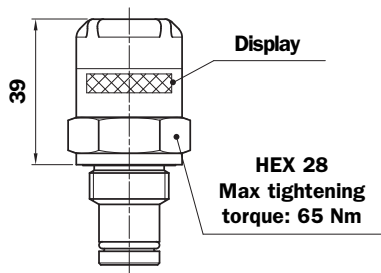
HYDRAULIC SYMBOL



ELECTRICAL SYMBOL



DVA



Available setting:
 1,2 bar ±10% (DVA12xP01)
 2 bar ±10% (DVA20xP01)
 5 bar ±10% (DVA50xP01)
 7 bar ±10% (DVA70xP01)
 9,5 bar ±10% (DVA95xP01)

Visual Differential Indicator

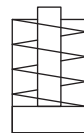
Materials:

- Body: Brass
- Internal parts: Brass - Nylon
- Seals: HNBR - FPM

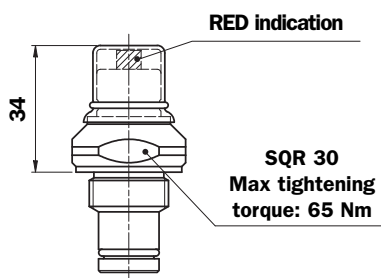
Technical data:

- Indicator type: Visual differential indicator
- Reset: Automatic reset
- Max working pressure: 420 bar
- Proof pressure: 630 bar
- Burst pressure: 1260 bar
- Working temperature: From -25 °C to +110 °C
- Compatibility with fluids: Mineral oils, Synthetic fluids
HFA, HFB, HFC fluids in according to ISO 2943

HYDRAULIC SYMBOL



DVM



Available setting:
 1,2 bar ±10% (DVM12xP01)
 2 bar ±10% (DVM20xP01)
 5 bar ±10% (DVM50xP01)
 7 bar ±10% (DVM70xP01)
 9,5 bar ±10% (DVM95xP01)

Visual Differential Indicator

Materials:

- Body: Brass
- Internal parts: Brass - Nylon
- Seals: HNBR - FPM

Technical data:

- Indicator type: Visual differential indicator
- Reset: Manual reset
- Max working pressure: 420 bar
- Proof pressure: 630 bar
- Burst pressure: 1260 bar
- Working temperature: From -25 °C to +110 °C
- Compatibility with fluids: Mineral oils, Synthetic fluids
HFA, HFB, HFC fluids in according to ISO 2943

HYDRAULIC SYMBOL



Ordering information DE - DL - DV

Series	1	2	3	4	5	6	7
DE	<input type="checkbox"/>	<input type="checkbox"/>	<input type="checkbox"/>	<input type="checkbox"/>	<input type="checkbox"/>	<input type="checkbox"/>	<input type="checkbox"/>
Example:	DE	A	20	H	A	50	P01

Series	1	2	3	4	5	6	7
DL	<input type="checkbox"/>	<input type="checkbox"/>	<input type="checkbox"/>	<input type="checkbox"/>	<input type="checkbox"/>	<input type="checkbox"/>	<input type="checkbox"/>
Example:	DL	A	20	H	A	52	P01

Series	1	2	3	4	5	6	7
DT	<input type="checkbox"/>	<input type="checkbox"/>	<input type="checkbox"/>	<input type="checkbox"/>	<input type="checkbox"/>	<input type="checkbox"/>	<input type="checkbox"/>
Example:	DT	A	20	H	F	70	P01

Series	1	2	3	4	7
DV	<input type="checkbox"/>	<input type="checkbox"/>	<input type="checkbox"/>	<input type="checkbox"/>	<input type="checkbox"/>
Example:	DV	A	20	H	P01

1 - Series

<input type="checkbox"/> DE	Electrical indicator
<input type="checkbox"/> DL	Electrical/Visual indicator
<input type="checkbox"/> DT	Electronic indicator
<input type="checkbox"/> DV	Visual indicator

2 - Type

DE series

<input type="checkbox"/> A	Standard type
<input type="checkbox"/> M	With wired connector

DL series

<input type="checkbox"/> A	Standard type
<input type="checkbox"/> E	Standard type for High power supply

DT series

<input type="checkbox"/> A	Standard type
-----------------------------------	---------------

DV series

<input type="checkbox"/> A	Automatic reset
<input type="checkbox"/> M	Manual reset

3 - Setting pressure

<input type="checkbox"/> 12	1,5 bar
<input type="checkbox"/> 20	2 bar
<input type="checkbox"/> 50	5 bar
<input type="checkbox"/> 70	7 bar
<input type="checkbox"/> 95	9,5 bar

4 - Seals

<input type="checkbox"/> H	HNBR
<input type="checkbox"/>	On request

5 - Thermostat (excluded for DV)

<input type="checkbox"/> A	Without thermostat
<input type="checkbox"/> F	With thermostat (Normally open up to 30°C) Option available only for DEM-DTA series

6 - Electrical connection (excluded for BV)

DEA - DLE series

<input type="checkbox"/> 50	EN 175301-803 connector
------------------------------------	-------------------------

DEM series

<input type="checkbox"/> 10	AMP Superseal series 1,5 (Normally open contacts)
<input type="checkbox"/> 20	AMP Timer Junior (Normally open contacts)
<input type="checkbox"/> 30	Deutsch DT-04-2-P (Normally open contacts)
<input type="checkbox"/> 35	Deutsch DT-04-3-P (Change over contacts)
<input type="checkbox"/>	On request

DLA series

<input type="checkbox"/> 51	EN 175301-803 clear connector with 24 V lamps
<input type="checkbox"/> 52	EN 175301-803 clear connector with 110 V lamps
<input type="checkbox"/> 71	M12 IEC 61076-2-101 clear connector with 24 V lamps

DTA series

<input type="checkbox"/> 70	M12 IEC 61076-2-101 connector
------------------------------------	-------------------------------

7 - Option

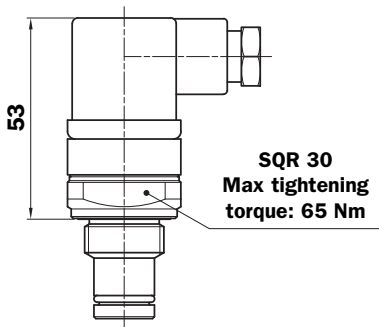
<input type="checkbox"/> P01	MP Filtri standard
<input type="checkbox"/> Pxx	Customer request

MP Filtri - The filter functions as described in this bulletin are valid exclusively for original MP Filtri filter elements and replacement parts. All rights reserved

The data in this publication are purely guideline. MP Filtri reserves the right to make changes to the models described herein at any time it deems fit in relation to technical or commercial requirements. The colours of the products shown on the cover are purely guideline. Copyright. All rights reserved.

STAINLESS STEEL DIFFERENTIAL INDICATORS

DEX



Available setting:
 1,2 bar ±10% (DEX12xA50P01)
 2 bar ±10% (DEX20xA50P01)
 5 bar ±10% (DEX50xA50P01)
 7 bar ±10% (DEX70xA50P01)
 9,5 bar ±10% (DEX95xA50P01)

Electrical Differential Indicator

Materials:

- Body: AISI 316L
- Internal parts: AISI 316L - Nylon
- Seals: HNBR - MFQ

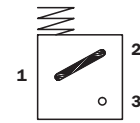
Technical data:

- Indicator type: Electrical differential indicator
- Max working pressure: 420 bar
- Proof pressure: 630 bar
- Burst pressure: 1260 bar
- Working temperature: From -25 °C to +110 °C
- Compatibility with fluids: Mineral oils, Synthetic fluids
HFA, HFB, HFC fluids in according to ISO 2943

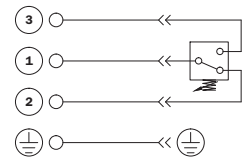
Electrical data:

- Resistive load: 0,2 A / 115 Vdc
- Electrical connections: 50 - EN 175301-803
- Protection degree: IP 66 in according to EN 60529
IP 69K in according to ISO 20653

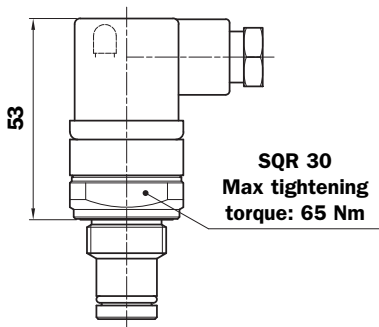
HYDRAULIC SYMBOL



ELECTRICAL SYMBOL



DLX



Available setting:
 1,2 bar ±10% (DLX12xAxxP01)
 2 bar ±10% (DLX20xAxxP01)
 5 bar ±10% (DLX50xAxxP01)
 7 bar ±10% (DLX70xAxxP01)
 9,5 bar ±10% (DLX95xAxxP01)

Electrical/Visual Differential Indicator

Materials:

- Body: AISI 316L
- Internal parts: AISI 316L - Nylon
- Seals: HNBR - MFQ

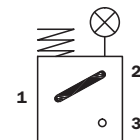
Technical data:

- Indicator type: Electrical differential indicator
- Max working pressure: 420 bar
- Proof pressure: 630 bar
- Burst pressure: 1260 bar
- Working temperature: From -25 °C to +110 °C
- Compatibility with fluids: Mineral oils, Synthetic fluids
HFA, HFB, HFC fluids in according to ISO 2943

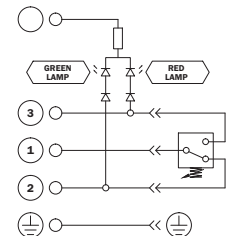
Electrical data:

- Resistive load: 51: 0,8 A / 24 VDC
52: 0,2 A / 115 VDC
- Electrical connections: 51 - EN 175301-803 (24 VDC lamps)
52 - EN 175301-803 (110 VDC lamps)
- Protection degree: IP 66 in according to EN 60529
IP 69K in according to ISO 20653

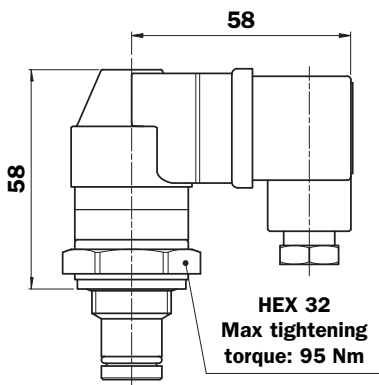
HYDRAULIC SYMBOL



ELECTRICAL SYMBOL



DLY



Available setting:
 1,2 bar ±10% (DLY12VA50P01)
 2 bar ±10% (DLY20VA50P01)
 5 bar ±10% (DLY50VA50P01)
 7 bar ±10% (DLY70VA50P01)
 9,5 bar ±10% (DLY95VA50P01)

Electrical/Visual Differential Indicator

Materials:

- Body: AISI 316L
- Internal parts: AISI 316L - Nylon
- Seals: FPM

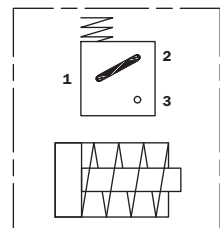
Technical data:

- Indicator type: Electrical/Visual differential indicator
- Max working pressure: 420 bar
- Proof pressure: 630 bar
- Burst pressure: 1260 bar
- Working temperature: From -25 °C to +110 °C
- Compatibility with fluids: Mineral oils, Synthetic fluids
HFA, HFB, HFC fluids in according to ISO 2943

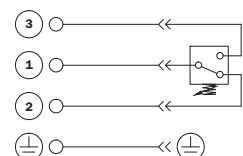
Electrical data:

- Resistive load: 5 A / 250 VAC
- Electrical connections: 50 - EN 175301-803
- Protection degree: IP 65 in according to EN 60529

HYDRAULIC SYMBOL

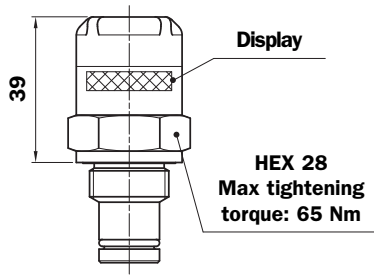


ELECTRICAL SYMBOL



STAINLESS STEEL DIFFERENTIAL INDICATORS

DVX



Available setting:
 1,2 bar ±10% (DVX12xP01)
 2 bar ±10% (DVX20xP01)
 5 bar ±10% (DVX50xP01)
 7 bar ±10% (DVX70xP01)
 9,5 bar ±10% (DVX95xP01)

Visual Differential Indicator

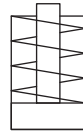
Materials:

- Body: AISI 316L
- Internal parts: AISI 316L - Nylon
- Seals: HNBR - MFQ

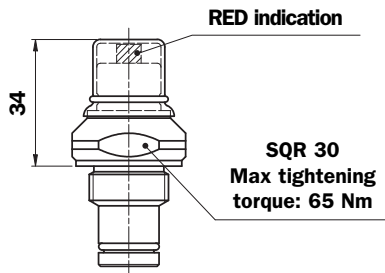
Technical data:

- Indicator type: Visual differential indicator with automatic reset
- Max working pressure: 420 bar
- Proof pressure: 630 bar
- Burst pressure: 1260 bar
- Working temperature: From -25 °C to +110 °C
- Compatibility with fluids: Mineral oils, Synthetic fluids
HFA, HFB, HFC fluids in according to ISO 2943

HYDRAULIC SYMBOL



DVY



Available setting:
 1,2 bar ±10% (DVY12xP01)
 2 bar ±10% (DVY20xP01)
 5 bar ±10% (DVY50xP01)
 7 bar ±10% (DVY70xP01)
 9,5 bar ±10% (DVY95xP01)

Visual Differential Indicator

Materials:

- Body: AISI 316L
- Internal parts: AISI 316L - Aluminium
- Seals: HNBR - MFQ

Technical data:

- Indicator type: Visual differential indicator
- Max working pressure: 420 bar
- Proof pressure: 630 bar
- Burst pressure: 1260 bar
- Working temperature: From -25 °C to +110 °C
- Compatibility with fluids: Mineral oils, Synthetic fluids
HFA, HFB, HFC fluids in according to ISO 2943

HYDRAULIC SYMBOL



Ordering information DE - DL - DV

Series	1	2	3	4	5	6	7
DE	<input type="checkbox"/>	<input type="checkbox"/>	<input type="checkbox"/>	<input type="checkbox"/>	<input type="checkbox"/>	<input type="checkbox"/>	<input type="checkbox"/>
Example:	DE	X	20	H	A	50	P01

Series	1	2	3	4	5	6	7
DL	<input type="checkbox"/>	<input type="checkbox"/>	<input type="checkbox"/>	<input type="checkbox"/>	<input type="checkbox"/>	<input type="checkbox"/>	<input type="checkbox"/>
Example:	DL	X	20	H	A	52	P01

Series	1	2	3	4	7
DV	<input type="checkbox"/>	<input type="checkbox"/>	<input type="checkbox"/>	<input type="checkbox"/>	<input type="checkbox"/>
Example:	DV	X	20	H	P01

1 - Series

- DE** Electrical indicator
- DL** Electrical/Visual indicator
- DV** Visual indicator

2 - Type

- X** Standard type
- Y** Optional type

3 - Setting pressure

- 12** 1,5 bar
- 20** 2 bar
- 50** 5 bar
- 70** 7 bar
- 95** 9,5 bar

4 - Seals

- H** HNBR
- F** MFQ
- On request

5 - Thermostat (excluded for DV)

- A** Without thermostat

6 - Electrical connection (excluded for DV)

DEX series

- 50** EN 175301-803 connector

DLA series

- 51** EN 175301-803 clear connector with 24 V lamps
- 52** EN 175301-803 clear connector with 110 V lamps
- 71** M12 IEC 61076-2-101 clear connector with 24 V lamps

7 - Option

- P01** MP Filtri standard
- Pxx** Customer request

MP Filtri - The filter functions as described in this bulletin are valid exclusively for original MP Filtri filter elements and replacement parts. All rights reserved

The data in this publication are purely guideline. MP Filtri reserves the right to make changes to the models described herein at any time it deems fit in relation to technical or commercial requirements. The colours of the products shown on the cover are purely guideline. Copyright. All rights reserved.

Comparative table OLD - NEW code

VACUUM INDICATORS

Old code	New code
E0	VED20AA50P01
E0P01	VEB21AA50P01
E1	VEC20AA50P01
E1P01	VEA21AA50P01
E1P02	VEA21AA05P01
-	-
-	VVS16P01
VP01	VVR16P01
VOP01	VVA16P01
VSP01	WVB16P01

BAROMETRIC INDICATORS

Old code	New code	Old code	New code
FE08H1AP01	BEA08HA50P01	VP15AMP01	BVQ15HP01
FE08H1BP01	BLA08HA51P01	VP20AAP01	BVP20HP01
FE15H1AP01	BEA15HA50P01	VP20AMP01	BVQ20HP01
FE15H1BP01	BLA15HA51P01	-	-
FE15H1DP01	BLA15HA53P01	VRP01	BVA14P01
FE15H1EP01	BEM15HA41P01	VR25P01	BVA25P01
FE20H1AP01	BEA20HA50P01	V1P01	BVR14P01
FE20H1BP01	BLA20HA51P01	-	BVR25P01
FE20H1CP01	BLA20HA52P01		
FE20H1DP01	BLA20HA53P01		
FE20H1EP01	BEM20HA41P01		
FE25H1AP01	BEA25HA50P01		
FE25H1BP01	BLA25HA51P01		
VP15AAP01	BVP15HP01		

STAINLESS STEEL DIFFERENTIAL INDICATORS

Old code	New code	Old code	New code
1EX	DLY12HA50P01 - DLY12VA50P01	VB6FP01	DVY20FP01
E6X	DLY20HA50P01 - DLY20VA50P01	VB6HP01	DVY20HP01
E6XE	DLY20EA50P01	VB7FP01	DVY50FP01
E7X	DLY50HA50P01 - DLY50VA50P01	VB7HP01	DVY50HP01
E8X	DLY70HA50P01 - DLY70VA50P01	VB7VP01	DVY50VP01
-	-	VB8EP01	DVY70EP01
K7X1HP01	DLX50HA51P01	VB8FP01	DVY70FP01
K8X1HP01	DLX70HA51P01	VB8HP01	DVY70HP01
-	-	-	-
N7X	DEX50HA50P01	1VX	DVX12HP01 - DVX12VP01
N7XEP01	DEX50EA50P01	V6X	DVX20HP01 - DVX20VP01
N8X	DEX70HA50P01	V7X	DVX50HP01 - DVX50VP01
N8XEP01	DEX70EA50P01	V7XE	DVX50EP01
		V8X	DVX70HP01 - DVX70VP01
		V8XE	DVX70EP01

Comparative table OLD - NEW code

DIFFERENTIAL INDICATORS

Old code	New code	Old code	New code
1E	DLE12HA50P01 - DLE12VA50P01	NM6HA11P01	DEM20HA10P01
E6	DLE20HA50P01 - DLE20VA50P01	NM6HA31P01	DEM20HA30P01
E6E	DLE20EA50P01	NM6HA36P01	DEM20HA31P01
E6H	DLE20HA50P01	NM7HA11P01	DEM50HA10P01
E7	DLE50HA50P01 - DLE50VA50P01	NM7HA21P01	DEM50HA20P01
E7E	DLE50EA50P01	NM7HA31P01	DEM50HA30P01
E7H	DLE50HA50P01	NM7HA32P01	DEM50HA35P01
E8	DLE70HA50P01 - DLE70VA50P01	NM7HC32P01	DEM50HF35P01
E8E	DLE70EA50P01	NM7VA11P01	DEM50VA10P01
E8H	DLE70HA50P01	NM7VC11P01	DEM50VF10P01
E9	DLE95HA50P01 - DLE95VA50P01	NM8HA11P01	DEM70HA10P01
E9E	DLE95EA50P01	NM8HA31P01	DEM70HA30P01
E9H	DLE95HA50P01	NM8HA36P01	DEM70HA32P01
-	-	-	-
J1	DLE12HF50P01 - DLE12VF50P01	NR2HP01	DEA12HA50P01
J6	DLE20HF50P01 - DLE20VF50P01	NR2VP01	DEA12VA50P01
J7	DLE50HF50P01 - DLE50VF50P01	NR6EP01	DEA20EA50P01
J8	DLE70HF50P01 - DLE70VF50P01	NR6HP01	DEA20HA50P01
J9	DLE95HF50P01 - DLE95VF50P01	NR6VP01	DEA20VA50P01
-	-	NR7HP01	DEA50HA50P01
KR21HP01	DLA12HA51P01	NR7VP01	DEA50VA50P01
KR21VP01	DLA12VA51P01	NR8EP01	DEA70EA50P01
KR31HP01	DLA30HA51P01	NR8HP01	DEA70HA50P01
KR61HP01	DLA20HA51P01	NR8VP01	DEA70VA50P01
KR61VP01	DLA20VA51P01	NR9HP01	DEA95HA50P01
KR62HP01	DLA20HA52P01	NR9VP01	DEA95VA50P01
KR62VP01	DLA20VA52P01	-	-
KR71HP01	DLA50HA51P01	U3HP01	DVM30HP01
KR71VP01	DLA50VA51P01	U6HP01	DVM20HP01
KR72HP01	DLA50HA52P01	U6VP01	DVM20VP01
KR72VP01	DLA50VA52P01	U7HP01	DVM50HP01
KR81HP01	DLA70HA51P01	U7VP01	DVM50VP01
KR81VP01	DLA70VA51P01	U8VP01	DVM70VP01
KR82HP01	DLA70HA52P01	-	-
KR91HP01	DLA95HA51P01	1V	DVA12HP01 - DVA12VP01
-	-	V6	DVA20HP01 - DVA20VP01
NE2HTP01	DTA12HF70P01	V6E	DVA20EP01
NE2VSP01	DTA12VF70P01	V6H	DVA20HP01
NE6HSP01	DTA20HF70P01	V7	DVA50HP01 - DVA50VP01
NE6HTP01	DTA20HF70P01	V7E	DVA50EP01
NE6VSP01	DTA20VF70P01	V7H	DVA50HP01
NE6VTP01	DTA20VF70P01	V8	DVA70HP01 - DVA70VP01
NE7HSP01	DTA50HF70P01	V8E	DVA70EP01
NE7HTP01	DTA50HF70P01	V9	DVA95HP01 - DVA95VP01
NE7VSP01	DTA50VF70P01	V9E	DVA95EP01
NE7VTP01	DTA50VF70P01	-	-
NE8HSP01	DTA70HF70P01	Z2HP01	DVM12HP01
NE8HTP01	DTA70HF70P01	Z2VP01	DVM12VP01
NE8VSP01	DTA70VF70P01	Z6EP01	DVM20EP01
NE8VTP01	DTA70VF70P01	Z6HP01	DVM20HP01
NE9VTP01	DTA95VF70P01	Z6VP01	DVM20VP01
-	-	Z7HP01	DVM50HP01
NE9VTP01	DTA95VF70P01	Z7VP01	DVM50VP01
-	-	Z7XHP01	DVY70HP01
-	-	Z8EP01	DVM70EP01
-	-	Z8HP01	DVM70HP01
-	-	Z8VP01	DVM70VP01
-	-	Z9HP01	DVM95HP01



New Headquarters:

MP FILTRI S.p.A. Italy

Via 1° Maggio, n. 3
20060 Pessano con Bornago
(Milan) Italy
Tel. +39.02/95703.1
Fax +39.02/95741497-95740188
email: sales@mpfiltri.com
www.mpfiltri.it - www.mpfiltri.com

GREAT BRITAIN

MP FILTRI U.K. Ltd.

Bourton Industrial Park
Bourton on the Water
Gloucestershire GL54 2HQ UK
Phone: +44.01451-822522
Fax: +44.01451-822282
email: sales@mpfiltri.co.uk
www.mpfiltri.co.uk

GERMANY

MP FILTRI Germany GmbH

Hans - Wilhelmi - Straße 2
DE-66386 St. Ingbert
Phone: +49.(0)6894-95652-0
Fax: +49.(0)6894-95652-20
email: sales@mpfiltri.de
www.mpfiltri.de

FRANCE

MP FILTRI FRANCE Sas

Parc d'activités des Chanteraines
8 rue du Commandant d'Estienne
d'Orves, Immeuble D3
92396 Villeneuve la Garenne - France
Phone: +33(0)1.40.86.47.00
Fax: +33(0)1.40.86.47.09
email: sales@mpfiltrifrance.com
www.mpfiltri.fr

USA

MP FILTRI USA Inc.

2055 Quaker Pointe Drive
Quakertown, PA 18951
Phone: +1.215-529-1300
Fax: +1.215-529-1902
email: sales@mpfiltriusa.com
www.mpfiltriusa.com

CANADA

MP FILTRI CANADA Inc.

8831 Keele Street, Concord,
Ontario L4K 2N1, Canada
Phone: +1.905-303-1369
Fax: +1.905-303-7256
email: mail@mpfiltricanada.com
www.mpfiltricanada.com

RUSSIAN FEDERATION

ITALFILTRI

Yuryevskiy Pereulok 13 a, Building 1
111020 Moscow, Russia
Phone/Fax: +7(495)220-94-60
email: mpfiltrirussia@yahoo.com
www.mpfiltri.ru

CHINA

MP FILTRI (Shanghai) Co. Ltd.

1280 Lianxi Road, 8 Bld - 2 Floor
Shanghai, Pudong
201204 P.R. China
Phone: + 86.21-58919916
Fax: + 86.21-58919667
email: sales@mpfiltrishanghai.com
www.mpfiltri.com

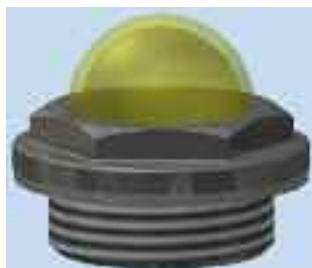
INDIA

MP FILTRI INDIA Pvt. Ltd.

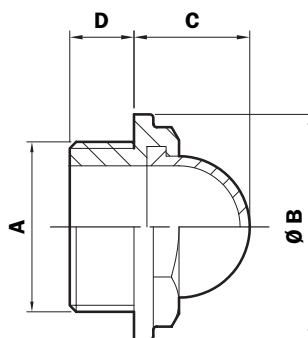
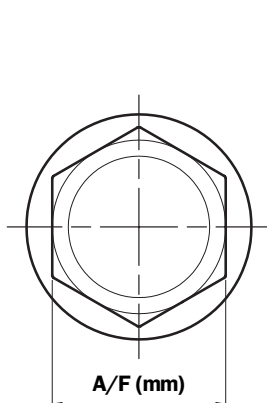
Plot-7F, Raj Pinnacle
Beside RMZ Centennial,
Brookefield Road, Whitefield,
Bangalore 560048 - India
Phone: +91-80-4147 7444/4146 1444
Fax: +91-80-41461888
email: sales@mpfiltri.co.in
www.mpfiltri.com

Series LCC***N

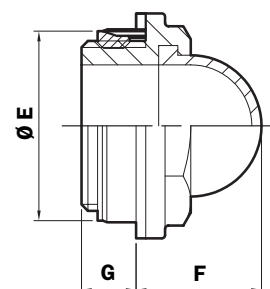
Dimensions



LCC***N***S



LCC***N***K



LCC***N***** (Materials)

- 1 - Body: Nylon
- 2 - Lens: Polyamide
- 3 - Contrast screen: Nylon
- 4 - Seals: NBR
Inorganic fibre
- 5 - Expansion kit: Brass - NBR

Quantity per pack Number of Parts

LCC/N 25

Size	A	Ø B	C	A/F (mm)	D	Ø E	F	G
G20	G 1/2"	28	15,5	22	9,5	25,5	16,5	8,3
G26	G 3/4"	35	18	27	10	29,5	19,5	8,5
G33	G 1"	42	22	34	12	39	23,5	10,5
G42	G 1 1/4"	52	28	44	13	49	29,5	11,5
G48	G 1 1/2"	58	31	50	13,5	54	32,5	12
G60	G 2"	74	37	64	20	-	-	-

N.B. Seals thickness 2 mm.
Recommended tightening torque 10 Nm.

Ø hole for Expansion kit

Size	Diamètre
G20	Ø 26
G26	Ø 30
G33	Ø 40
G42	Ø 50
G48	Ø 55

Spare parts

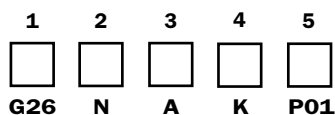
Size	Expansion Kit
G20	G20
G26	G26
G33	G33
G42	G42
G48	G48
-	-

Ordering information

Level indicator

LCC***N

Example: LCC



1 - Size

G20	G 1/2"
G26	G 3/4"
G33	G 1"
G42	G 1 1/4"
G48	G 1 1/2"
G60	G 2"

2 - Material

N Black nylon

3 - Seal

A NBR (K only)

B Inorganic fibre

4 - Expansion kit

S Without

K Expansion kit

5 - Options

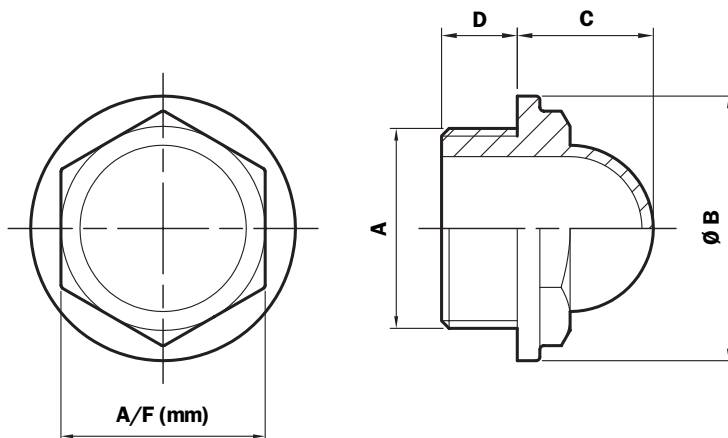
P01 MP Filtri standard

Series LCC***T

Dimensions



LCC***T**



LCC***T** (Materials)

- 1 - Body: Polyamide
- 2 - Seal: NBR

Quantity per pack
Number of Parts

LCC/T 25

Size	A	Ø B	C	A/F (mm)	D
G13	G 1/4"	19	10,5	15	7
G16	G 3/8"	21,7	12	17	7,5
G20	G 1/2"	27	14,5	21	8
G26	G 3/4"	32,8	17	26	9
G33	G 1"	39,8	20,5	32	10

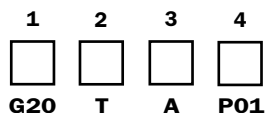
N.B. Seals thickness 2 mm.
Recommended tightening torque 10 Nm.

Ordering information

Level indicator

LCC***T

Example: LCC



1 - Size

G13	G 1/4"
G16	G 3/8"
G20	G 1/2"
G26	G 3/4"
G33	G 1"

3 - Seal

A NBR

4 - Options

P01 MP Filtri standard

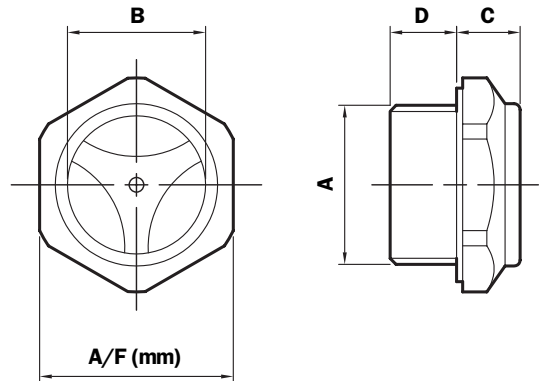
2 - Material

T Polyamide

Series LCP***M



Dimensions



LCP***M** (Materials)

- 1 - Body: Aluminium
- 2 - Lens: Thermoplastic
- 3 - Contrast screen: Nylon
- 4 - Seal: Inorganic fibre

Quantity per pack Number of Parts

LCP/M 25

Spare parts

Size	Seal Inorg. fibre
G20	1.026.902
G26	1.026.903
G33	1.026.905

Size	A	B	C	A/F (mm)	D
G20	G 1/2"	16	9	27	10
G26	G 3/4"	20	10	32	12
G33	G 1"	25	11	40	14

N.B. Seals thickness 2 mm.

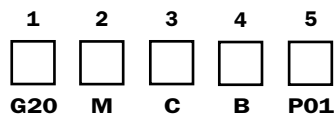
Recommended tightening torque 10÷15 Nm.

Ordering information

Level indicator

LCP***M

Example: LCP



1 - Size

G20	G 1/2"
G26	G 3/4"
G33	G 1"

3 - Accessories

C	Baffle
----------	--------

4 - Seal

B	Inorganic fibre
----------	-----------------

2 - Material

M	Metal (Aluminium)
----------	-------------------

5 - Options

P01	MP Filtri standard
------------	--------------------

Series LCP***N

Dimensions

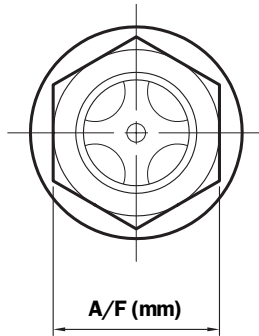


Standard view

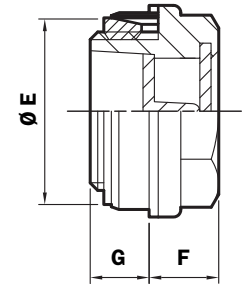
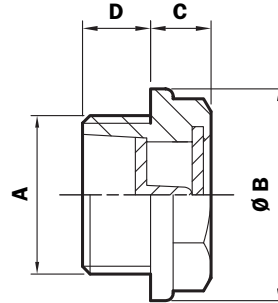


With view contrast and Expansion kit

LCP***N***S



LCP***N***K



Size	A	Ø B	C	A/F (mm)	D	Ø E	F	G
G13	G 1/4"	20	7	17	9	-	-	-
G16	G 3/8"	22	8	18	9	19,5	9,2	7,8
G20	G 1/2"	28	8	22	9	25,5	9,2	7,8
G26	G 3/4"	35	9	27	10	29,5	10,5	8,5
G33	G 1"	42	11,5	34	12,5	39	13	11
G42	G 1 1/4"	52	12	42	13	49	13,5	11,5
G48	G 1 1/2"	58	14	47	13	54	15,5	11,5
G60	G 2"	74	14	64	20	-	-	-

LCP***N*** (Materials)

- 1 - Body: Nylon
- 2 - Lens: Thermoplastic
- 3 - Contrast screen: Nylon
- 4 - Seals: NBR
Inorganic fibre
- 5 - Expansion kit: Brass - NBR

Quantity per pack Number of Parts

LCP/N 25

N.B. Recommended tightening torque 10 Nm.

Ø hole for Expansion kit

Size	Diameter
G16	Ø 20
G20	Ø 26
G26	Ø 30
G33	Ø 40
G42	Ø 50
G48	Ø 55

Spare parts

Size	Expansion Kit
-	-
G16	2026020
G20	2026021
G26	2026019
G33	2026023
G42	2026025
G48	2026026
-	-

Ordering information

Level indicator

LCP***N

Example: LCP

1	2	3	4	5	6
□	□	□	□	□	□
G20	N	C	A	K	P01

1 - Size

G13	G 1/4"
G16	G 3/8"
G20	G 1/2"
G26	G 3/4"
G33	G 1"
G42	G 1 1/4"
G48	G 1 1/2"
G60	G 2"

2 - Material

N Black nylon

3 - Accessories

S Standard view

C Baffle (for except G13)

4 - Seal

A NBR (only K)

B Inorganic fibre

5 - Expansion kit

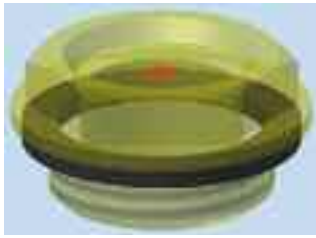
S Without
K Expansion kit (for except G13 - G16)

6 - Options

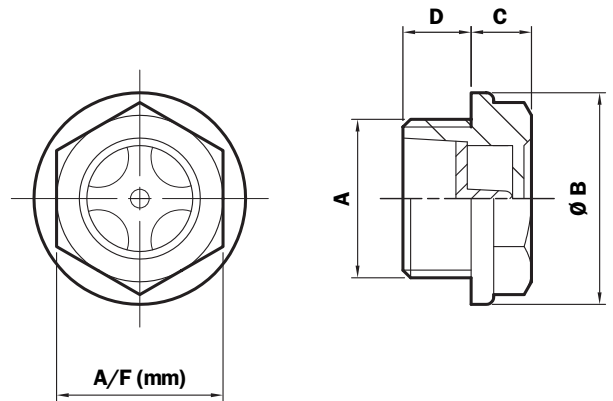
P01 MP Filtri standard

Series LCP***T

Dimensions



LCP***T**



LCP*T** (Materials)**

- 1 - Body: Polyamide
- 2 - Contrast screen: Nylon
- 3 - Seal: NBR

**Quantity per pack
Number of Parts**

LCP/T 25

Size	A	Ø B	C	A/F (mm)	D
G13	G 1/4"	19	4,5	15	7
G16	G 3/8"	21,7	5	17	7,5
G20	G 1/2"	27	5,5	21	8
G26	G 3/4"	32,8	6	26	9
G33	G 1"	39,8	6,5	32	10
G42	G 1 1/4"	52	12	42	13

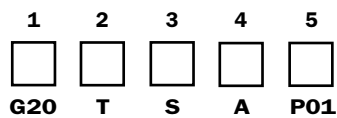
N.B. Seals thickness 2 mm.
Recommended tightening torque 10 Nm.

Ordering information

Level indicator

LCP***T

Example: LCP



1 - Size

- G13 G 1/4"
- G16 G 3/8"
- G20 G 1/2"
- G26 G 3/4"
- G33 G 1"
- G42 G 1 1/4"

3 - Accessories

- S Without baffle
- C Baffle (G26-G33-G42 only)

4 - Seal

- A NBR

5 - Options

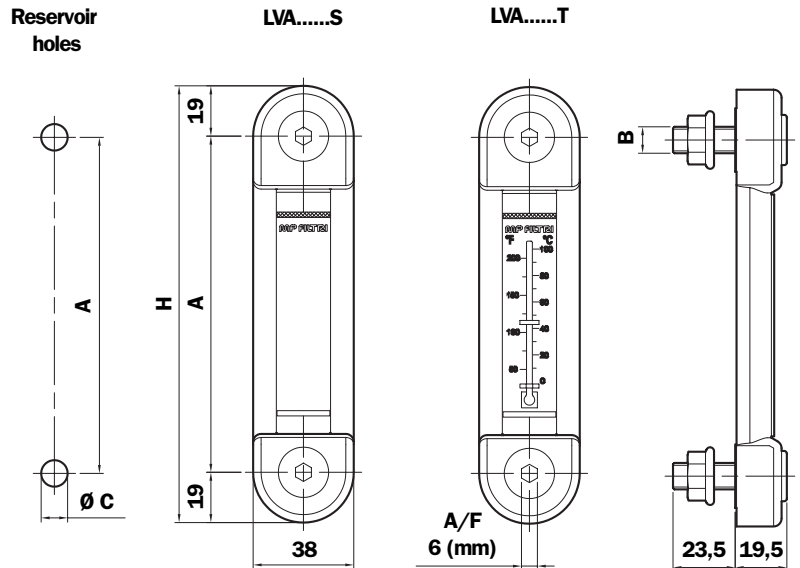
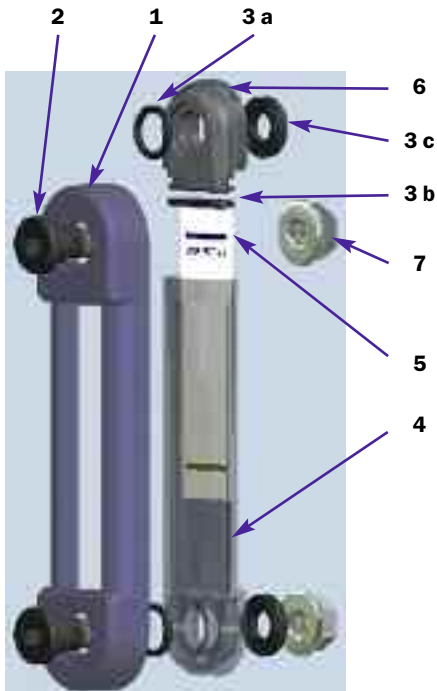
- P01 MP Filtri standard

2 - Material

- T Polyamide

Series LVA

Dimensions



LVA (Materials)

- 1 - Cover: Polyamide
- 2 - Screws: Galvanised Steel
- 3 - Seals: NBR
FPM
- 4 - Lens: Polyamide
- 5 - Nameplate: Painted Aluminium
- 6 - Terminal cap: Nylon
- 7 - Nuts: Galvanised Steel

Weight

- LVA10: 0,13 Kg
- LVA20: 0,18 Kg
- LVA30: 0,23 Kg

Quantity per pack Number of Parts

LVA	10
------------	----

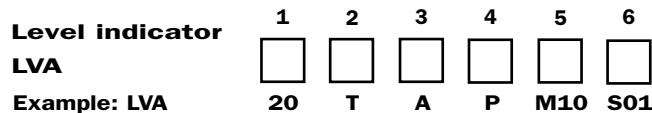
Size	A	H
LVA10	76	114
LVA20	127	165
LVA30	254	292

Screw tightening torque: 15Nm

Type	B	C
LVA.....M10	M10	10,5
LVA.....M12	M12	12,5
LVA.....U38	3/8" UNC	10
LVA.....U12	1/2" UNC	13,5

Ordering information

LVA20T.....S01



1 - Size

- 10
- 20
- 30

2 - Accessories

- S Without thermometer
- T With thermometer

3 - Seal

- A NBR
- V FPM

4 - Cover

- P Cover Polyamide

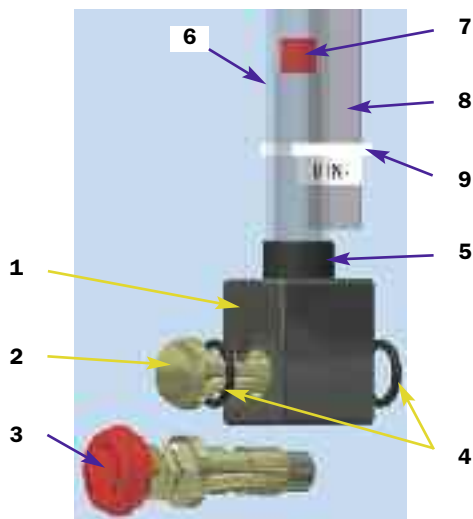
5 - Connection

- M10 Screws M10
- M12 Screws M12
- U38 Screws 3/8" UNC
- U12 Screws 1/2" UNC

6 - Options

- S01 With nuts - Tag MP Filtri
- S02 Without nuts - Tag MP Filtri

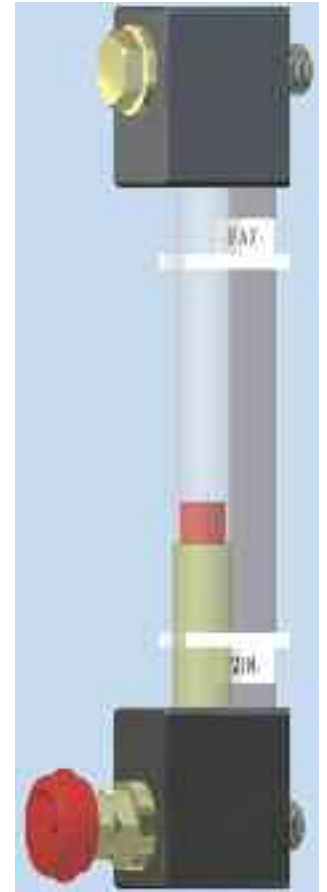
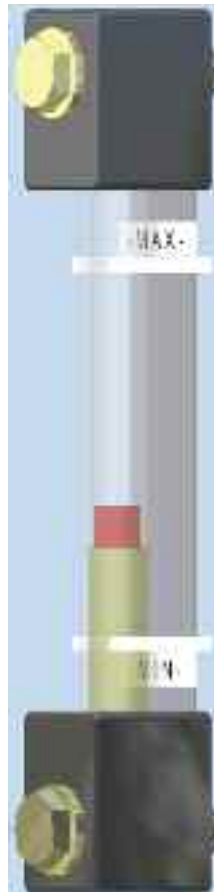
Series LVU



LVU (Materials)

- 1 - Head: Nylon
- 2 - Connection G 3/8": Nickel Plated Brass
- 3 - G 3/8" valve: Steel
- 4 - Seal: NBR
- 5 - Pipe Seal: NBR
- 6 - Pipe: Acrylic
Pyrex
- 7 - Float: Nylon
- 8 - Protection: Aluminium
- 9 - Clamps MIN - MAX: Nylon

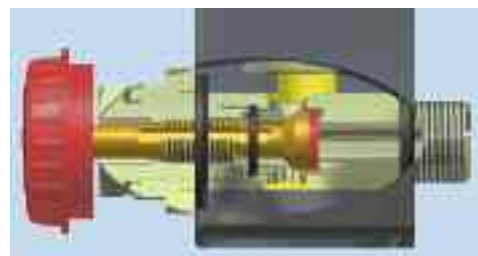
Weight	Vesion U	Vesion S
LVU 0500	0,780 kg	0,580 kg
LVU 1000	1,150 kg	0,790 kg
LVU 1500	1,550 kg	1,100 kg
LVU 2000	1,950 kg	1,400 kg



Open the valve completely.

Allows the oil to flow from the reservoir to the level tube.

ATTENTION - The intermediate valve opening or closing position allows the oil to flow from the reservoir to the exterior.

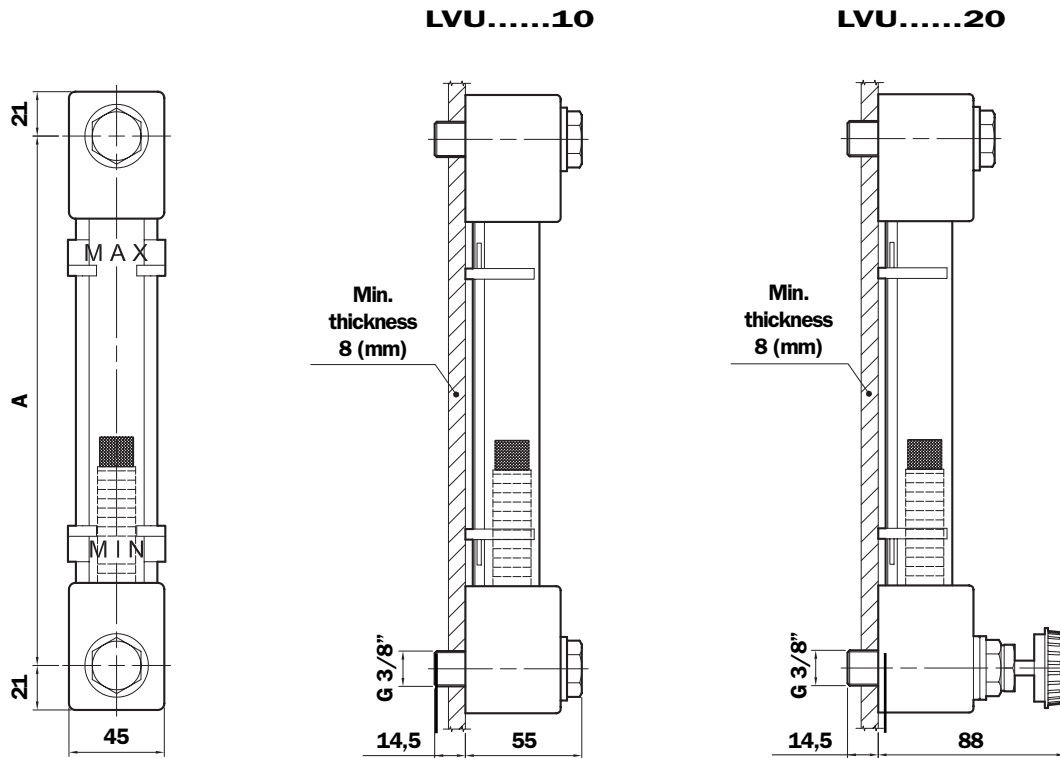


Close the valve fully.

Stops the oil flow from the reservoir to the level tube.

Allows the oil to be discharged from the level tube to an external container.

Dimensions



Spare parts LVU

Item.	Description	Q.ty	LVU
1	Seals kit	1	02050130
4	O-Ring	4	OR 4181 Ø 20,22 x 3,53
2	Fixing element kit series 10	1	02049014
2	G 3/8" connection	2	
3	Fixing element kit series 20	1	02049015
2	G 3/8" connection	1	
3	G 3/8" bibcock	1	

Size	A (mm)
0500	500
1000	1000
1500	1500
2000	2000

Ordering information

Level indicator
LVU
Example: LVU 1 2 3 4 5

0500 **U** **A** **10** **P01**

1 - Size

0500	Dimension "A" in mm
1000	Dimension "A" in mm
1500	Dimension "A" in mm
2000	Max. dimension "A" in mm
xxxx	Dimension "A" in mm (on request)

2 - Variants

S	Standard
U	"U" protection
P	"U" protection + Pyrex lens (max size 1500)

3 - Seal

A	NBR
----------	-----

4 - Connection

10	2 G 3/8" connections
20	1 G 3/8" connection + 1 valve

5 - Options

P01	MP Filtri standard
------------	--------------------