



# Full-Flow Lube Filtration

Filter Dia. 93 MM (3.66") X 1"-12



**Flow Range: up to 20 gpm / 76 lpm**

**Operating Pressure**

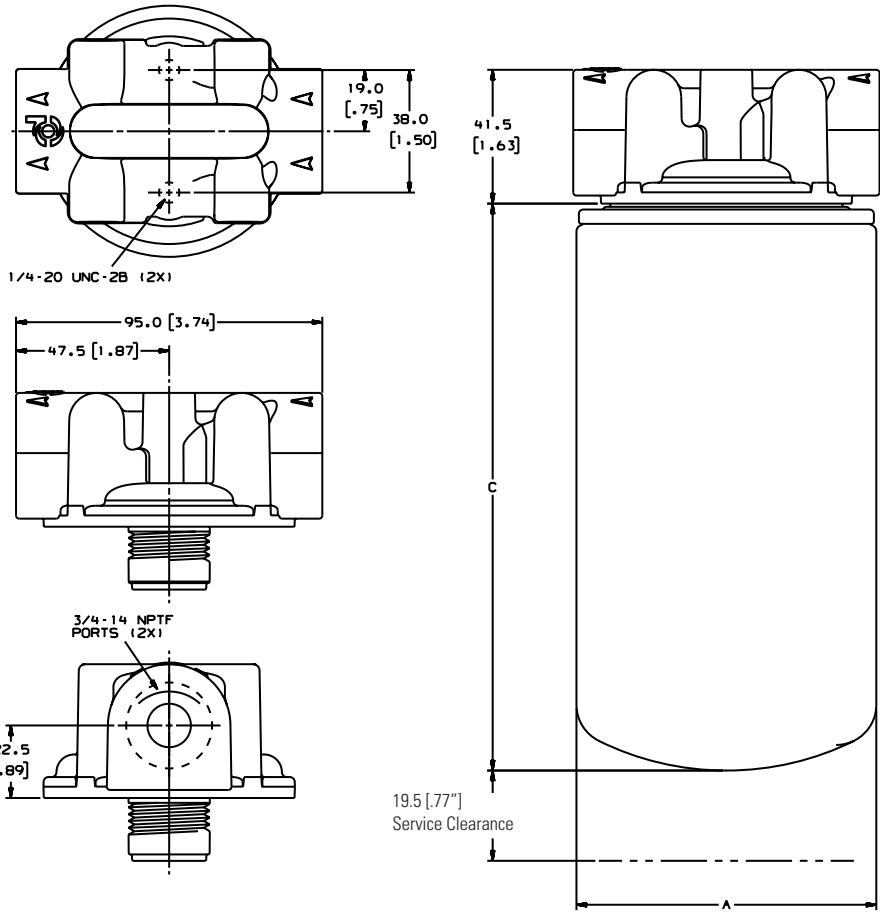
Up to 150 psi (1034 kPa)

**Flow Rate**

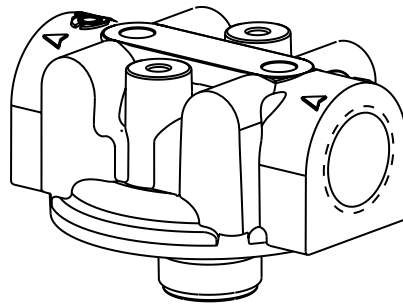
Up to 20 gpm / 76 lpm

**Oil Compatibility**

Compatible with petroleum based fluids (hydrocarbon) and up to 20% biodiesel



Head Part No.  
**P561134**

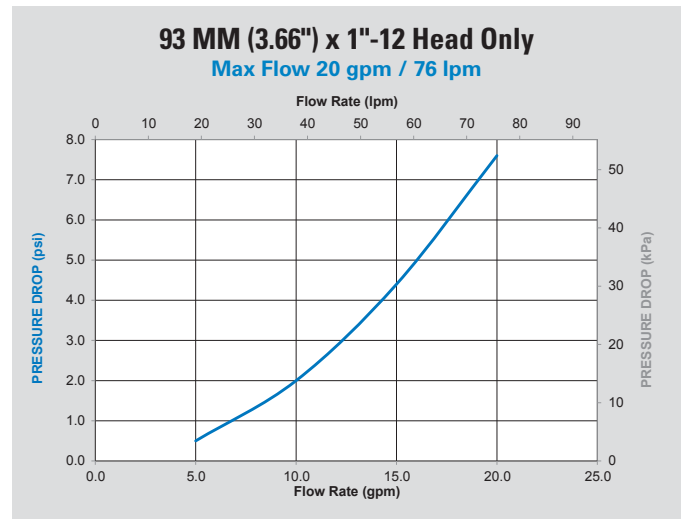
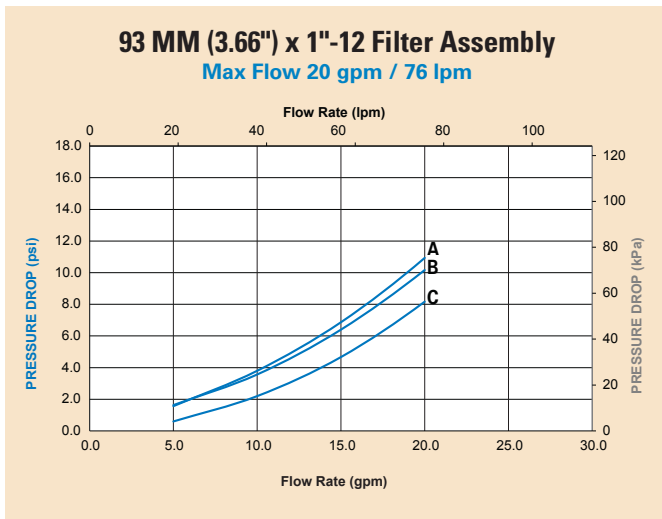




### Filter Selection Chart

Outer Diameter		(C) Filter Length		Media Type	Efficiency @ Micron	Part Number	Performance Curve	Anti-Drain Back Valve	Filter Relief Valve Setting		Stand Tube	Gasket Outer Diameter		Gasket Inner Diameter					
in	mm	in	mm						PSI	Bar		in	mm	in	mm				
3.66	93	5.35	136	Cellulose	99% @ 40	<a href="#">P552819</a>	B	Yes	18-23	1.30-1.60	No	2.83	72	2.42	61				
				Cellulose		<a href="#">P555680</a>	C		18-23	1.30-1.60	No								
		6.85	174	Cellulose		<a href="#">P553712</a>	C				No								
				Cellulose		<a href="#">P555616</a>	A	Yes			Yes								
				Cellulose		<a href="#">P557207</a>	C		7-10	0.50-0.70	No								
7.87	200	Cellulose	<a href="#">P553771</a>	A		Yes	35	2.41	No										
3.74	95	5.35	136	Cellulose		<a href="#">P559418</a>	B	Yes	36	2.48	No								
3.81	97	6.85	174	Cellulose		<a href="#">P558250</a>	B	Yes	11-17	0.80-1.00	No								

### Performance Curves





# Full-Flow Lube Filtration

Filter Dia. 118 MM (4.65") X 1 1/2"-12



**Flow Range: up to 45 gpm / 170 lpm**

**Operating Pressure**

Up to 150 psi (1034 kPa)

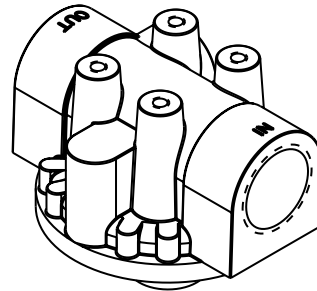
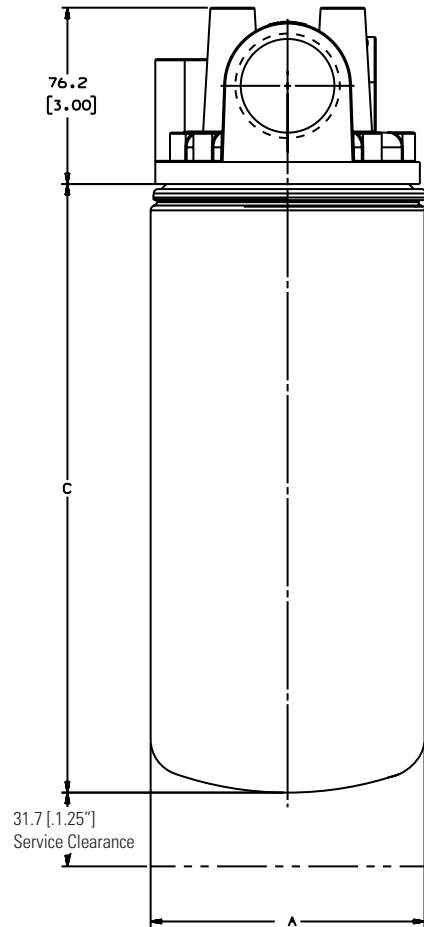
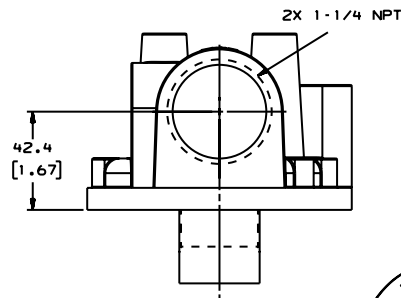
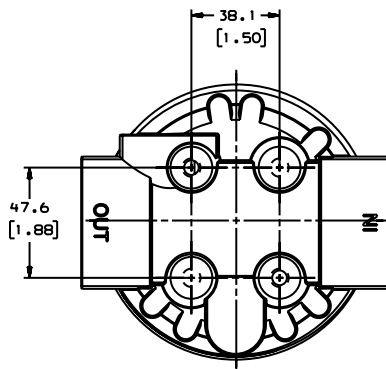
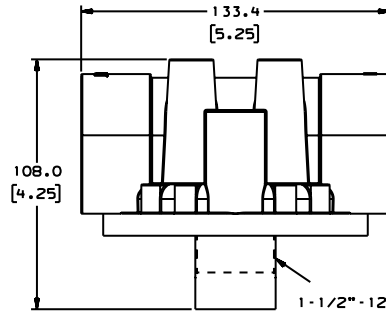
**Flow Rate**

Up to 45 gpm / 170 lpm

**Oil Compatibility**

Compatible with petroleum based fluids (hydrocarbon) and up to 20% biodiesel

Head Part No.  
**P174780**

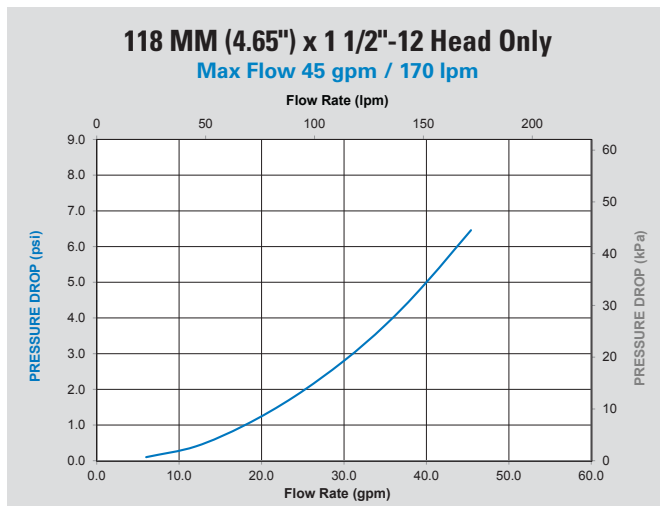
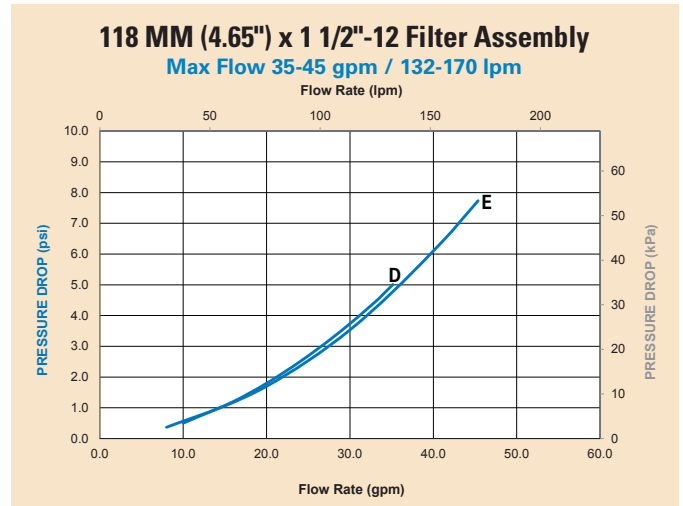
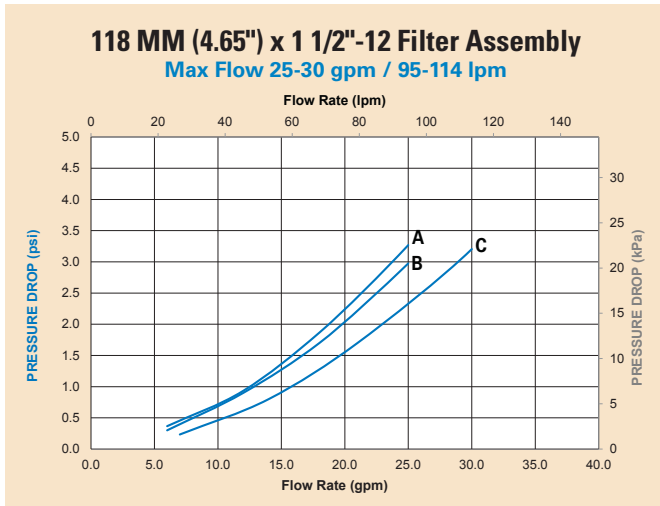




**Filter Selection Chart**

Max. Recommended Flow Rate		Outer Diameter		(C) Filter Length		Media Type	Efficiency @ Micron	Part Number	Performance Curve	Gasket Outer Diameter		Gasket Inner Diameter	
gph	lph	in	mm	in	mm					in	mm	in	mm
25	95	4.65	118	6.22	158	Cellulose	99% @ 23	<b>P550947</b>	A	4.32	110	3.85	98
						Synteq	99% @ 16	<b>DBL7947</b>	B	4.31	109	3.84	98
30	114			7.83	199	Cellulose	99% @ 40	<b>P551381</b>	C	4.32	110	3.85	98
35	132			8.94	227	Cellulose	99% @ 23	<b>P550671</b>	D	4.32	110	3.85	98
45	170			10.24	260	Synteq	99% @ 16	<b>DBL7670</b>	E	4.31	109	3.84	98
				Cellulose	99% @ 23	<b>P551670</b>	E	4.32	110	3.85	98		

**Performance Curves**





# By-Pass Lube Filtration

Filter Dia. 118 MM (4.65") X 1 3/8"-16



**Flow Range: up to 1.75 gpm / 6.62 lpm**

**Operating Pressure**

Up to 150 psi (1034 kPa)

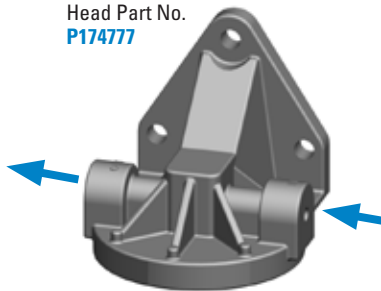
**Flow Rate**

1.75 gpm / 6.62 lpm @ 85 PSI

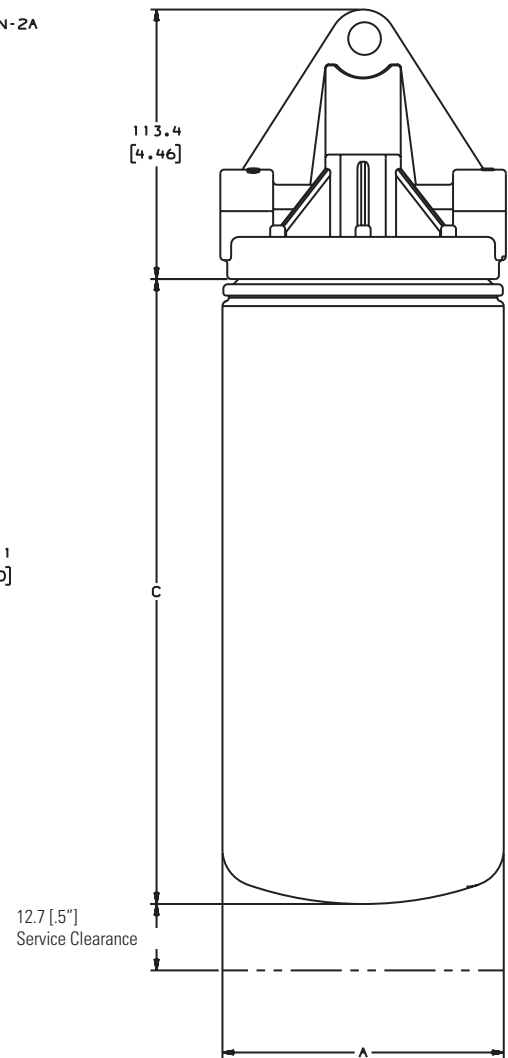
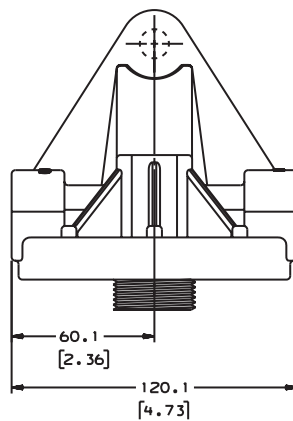
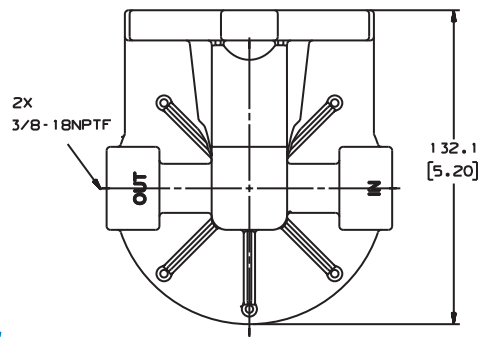
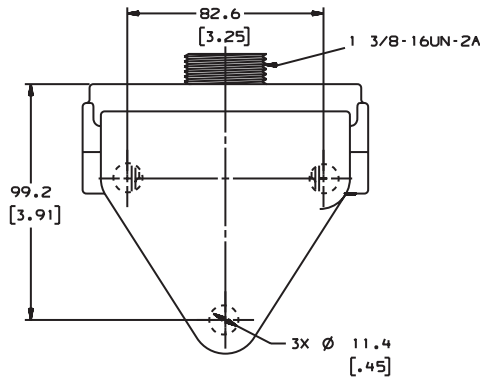
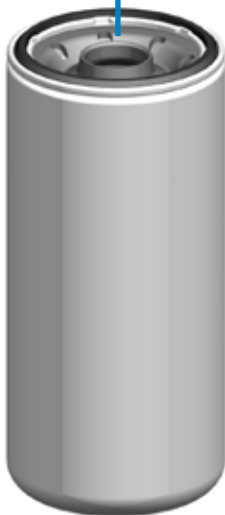
**Oil Compatibility**

Compatible with petroleum based fluids (hydrocarbon) and up to 20% biodiesel

Head Part No.  
**P174777**



Threaded stud not viewable, due to angle of view

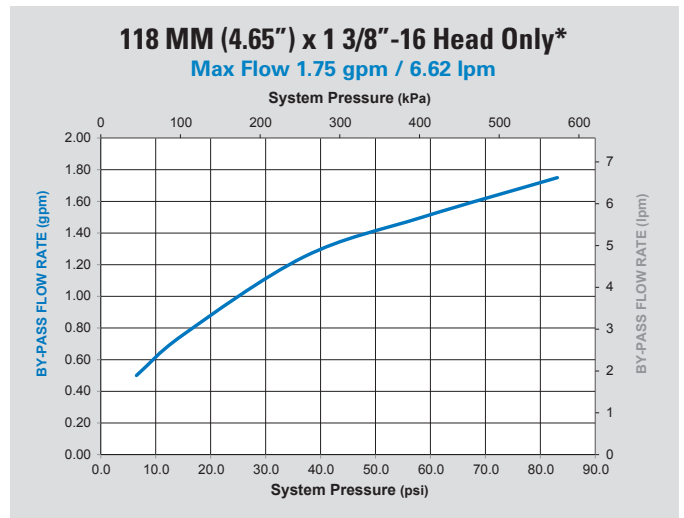
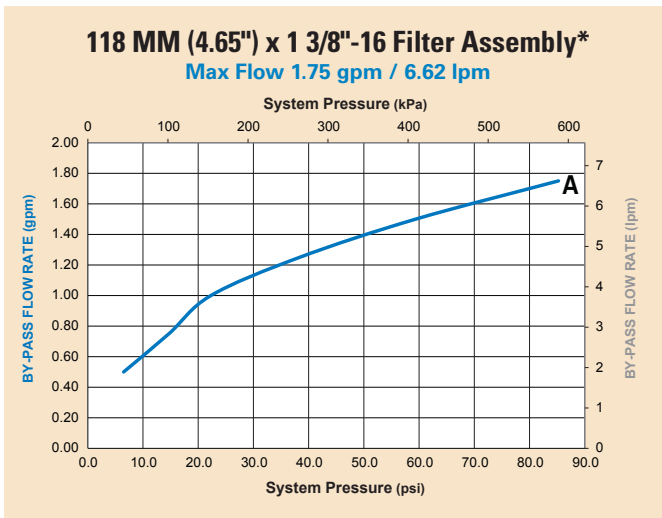




## Filter Selection Chart

Outer Diameter		(C) Filter Length		Media Type	Efficiency @ Micron	Part Number	Performance Curve	Gasket Outer Diameter		Gasket Inner Diameter	
in	mm	in	mm					in	mm	in	mm
4.65	118	8.94	227	Cellulose	99% @ 23	P550777	A	4.32	110	3.85	98

## Performance Curves



\*These performance curves represent clean filter by-pass flow as a function of system pressure.