

Superior Protection for Larger Engines

RadialSeal™ Sealing Technology Means Reliable Filtration and Quicker Service

The Donaldson two-stage FRG RadialSeal™ air cleaners provide improved reliability, better durability and reduced weight compared to axial seal style air cleaner designs. Choose from more than 20 air cleaners that work in airflow ranges of 82 to 1600 cfm.

Two-Stage Filtration

Both Style A and B have an integral pre-cleaning stage that separates up to 85% of the incoming dust. The primary filter stops the rest, resulting in engine air that is 99.99% free of dust.



Donaldson FRG Air Cleaners and Duramax hydraulics filters deliver superior filtration to pump-and-engine rigs used in the oil and gas industry.



The two-stage FRG Air Cleaner in operation on a Prentice 490 Skidder.



The FRG Air Cleaner on this Tyler Ag Sprayer eliminates 99.99% of the dirt from the engine airstream, while providing up to 945 cfm airflow to the engine.



Durable, Vibration Resistant Variety of Sizes in Two Separate Housing Styles

Applications

- Horizontal installation
- Medium and heavy dust environments
- **Style A** — From 82 to 795 cfm airflow throughput per air cleaner in body diameters ranging from 5" to 16" (127 – 406mm)
- **Style B** — From 270 to 1390 cfm airflow throughput per air cleaner in body diameters ranging from 10" to 18" (254 – 457mm)

Ideal for

- Construction equipment
- Agricultural machinery
- Mining equipment
- Off-highway vehicles

Air Cleaner Features

- Two-stage filter system: the first stage removes up to 85% of incoming dust
 - The first stage in the Style A uses the angled vanes on the primary filter
 - The first stage in the Style B has a tangential air inlet
- Inlet on side, outlet on end (G flow)
- Already tapped to accept filter service indicator
- Vacuator™ Valve automatically releases the pre-cleaned dust
- Durable, long-lasting finish
 - Style A housing is metal and coated with a black, corrosion- and chemical-resistant polymer paint (service cover is accessed with clamp and bolt)
 - Style B is comprised of two materials: injection molded, high strength polymer service cover and a metal body (the service cover is accessed by latches)
- Mounting the unit directly to the engine is not recommended; excessive engine vibration can cause premature air cleaner structural failure

FRG Style A

The FRG Style A series replaces Donaldson's obsolete FHG series in size and airflow capacity.



While it looks like an axial seal air cleaner on the outside, this new style housing is equipped with a RadialSeal™ style primary filter and an optional safety filter. Easy to service; one wing-bolt clamp to undo to access filter(s).

FRG Style B

The FRG Style B series replaces Donaldson's obsolete FTG series in size and airflow capacity.



Injection-molded endcap, made of specially-engineered resins for high strength and durability, serves as the service cover. Filter change out is easier than ever — just unsnap the latches to access the filter.

Filter Features

The RadialSeal™ filter inside the air cleaner is also quite different from Axial filters. Its one-piece, molded urethane endcaps encase the filter media and liners, thereby reducing the number of components and increasing sealing reliability.



The inside surface of the filter's open end is the sealing surface, which eliminates the glued-on gasket found on the metal end cap of Axial filters. For added engine protection during filter service, consider a model with a safety filter.

High efficiency, extended service, Donaldson Blue™ filters are available on some models (see service parts list on pages 116 and 117 for part numbers)

FRG Mounting Bands

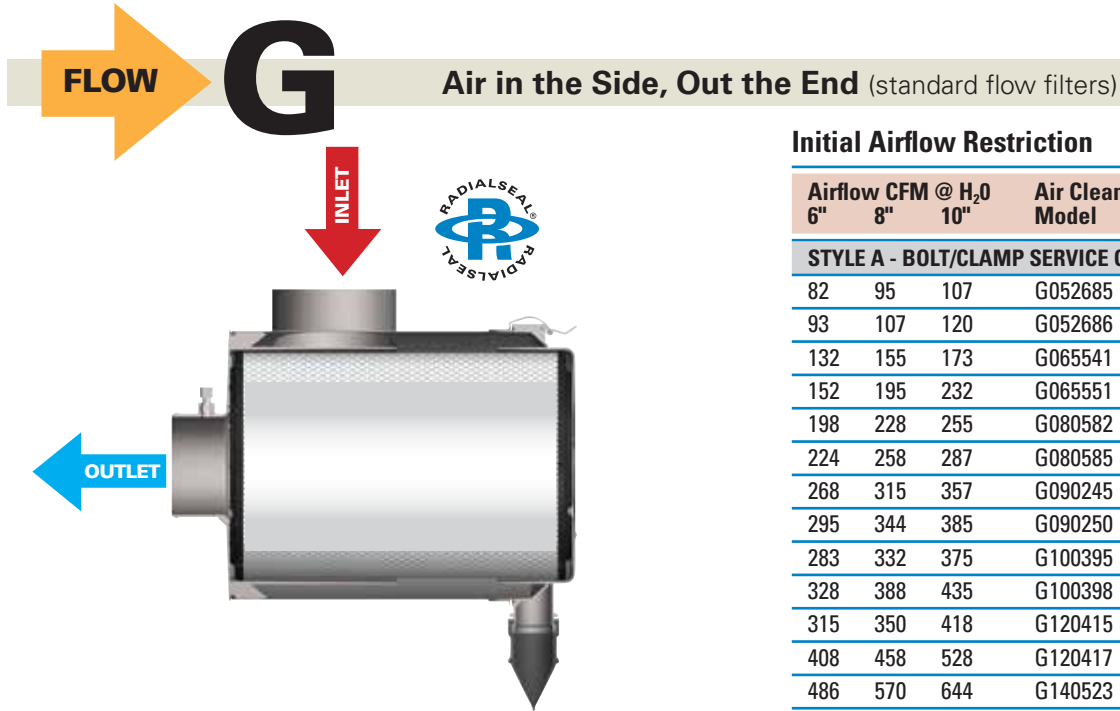
- Two mounting bands are required for proper FRG installation (see service parts listing in this section).
- Durable, corrosion resistant, galvanized steel construction.
- Engineered and tested to resist the adverse effects of vibration.
- Mounting band feet are designed to continuously ensure maximum torque pressure.
- Dimensional information for mounting bands can be found in the accessories section.



Accessories

Donaldson intake accessories for your FRG Air Cleaner can help overcome or prevent various problems. For instance:

- If the installed air cleaner will be exposed to rain, snow or debris, an **inlet cap** can prevent moisture ingestion.
- A **filter service indicator** measures the airflow restriction across the filter and indicates when to replace the filter (see Accessories section of this catalog).
- **Mounting bands** for FRGs must be ordered separately.



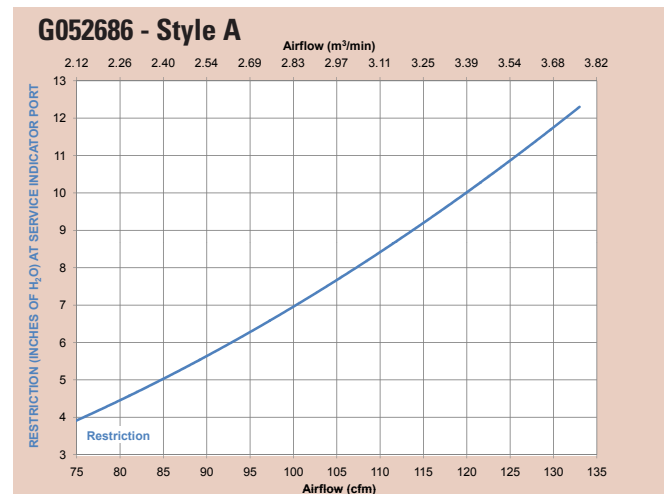
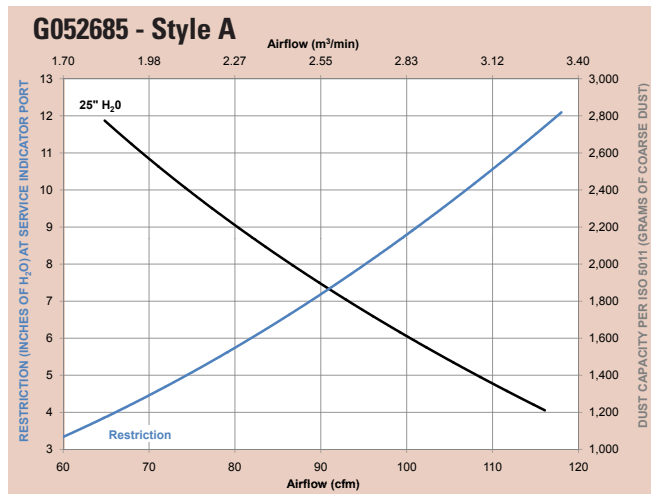
Initial Airflow Restriction

Airflow CFM @ H ₂ O		Air Cleaner Model	Weight		
6"	8"		lbs	kg	
STYLE A - BOLT/CLAMP SERVICE COVER					
82	95	107	G052685	5.5	2.5
93	107	120	G052686	5.2	2.4
132	155	173	G065541	7.6	3.4
152	195	232	G065551	7.1	3.2
198	228	255	G080582	11.0	5.0
224	258	287	G080585	10.5	4.8
268	315	357	G090245	13.1	5.9
295	344	385	G090250	12.1	5.5
283	332	375	G100395	30.1	13.7
328	388	435	G100398	28.6	13.0
315	350	418	G120415	26.5	12.0
408	458	528	G120417	28.1	12.7
486	570	644	G140523	34.9	15.8
560	657	742	G140526	33.3	15.1
590	700	795	G160679	41.7	18.9
STYLE B - LATCH SERVICE COVER					
270	305	340	G100297	12.0	5.4
300	360	400	G110214	13.1	5.9
370	430	490	G110206	17.5	8.0
440	510	570	G130107	20.6	9.3
520	590	655	G130097	25.0	11.4
715	805	945	G150092	30.0	13.6
1040	1230	1390	G180031	44.0	20.0

When Selecting an Air Cleaner . . .

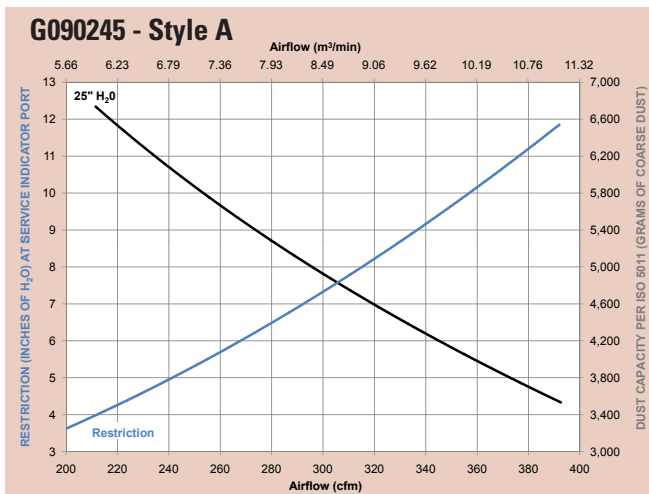
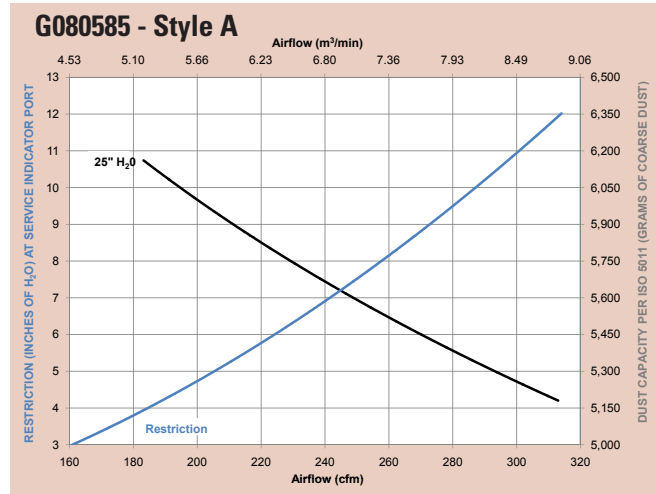
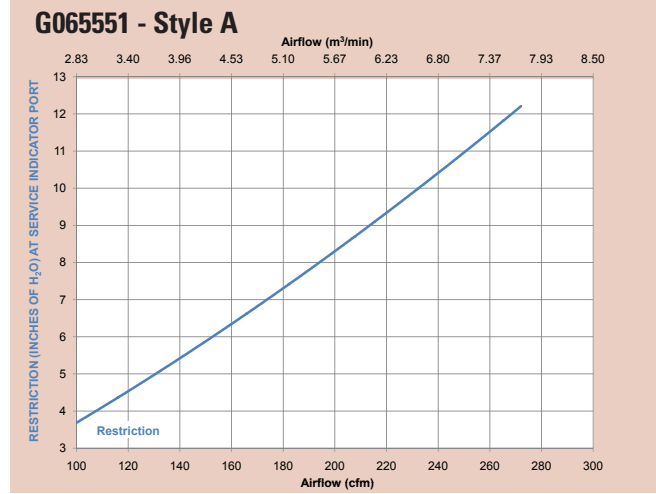
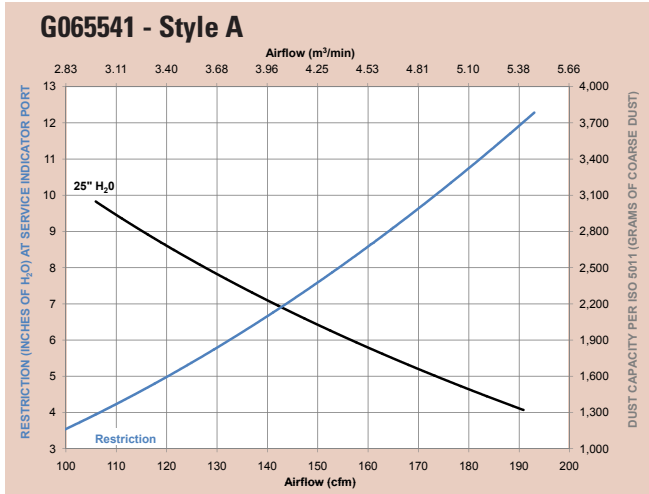
Determine the airflow requirements of your engine, then find the corresponding cfm airflow in the table at right. The restriction numbers (shown in inches of water) indicate the approximate initial restriction of each model air cleaner at that cfm. If there are two air cleaner models that fit your parameters, choosing the one with the lower restriction will provide longer filter service life. When calculating total initial restriction of the entire air intake system, include the restriction caused by ducting, elbows, and pre-cleaners.

FRG Air Cleaner Performance Curves (Restriction & Dust Capacity)

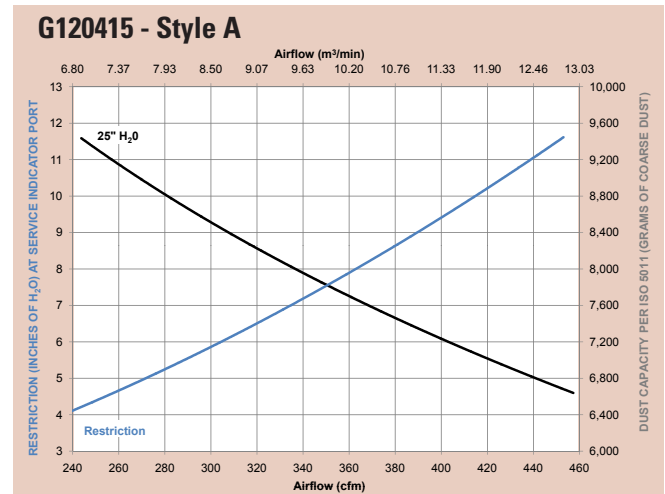
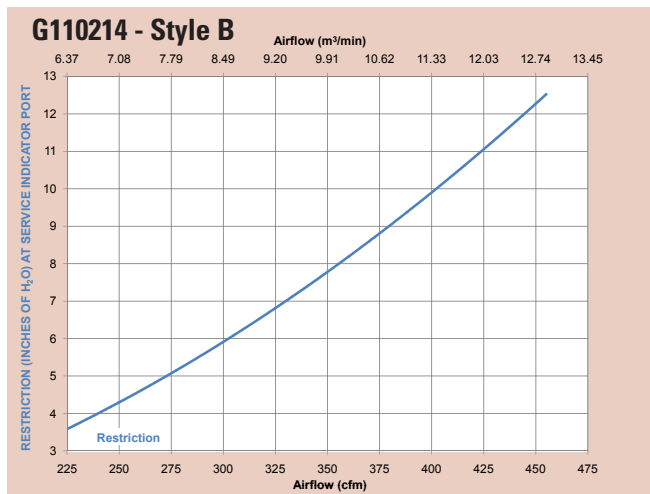
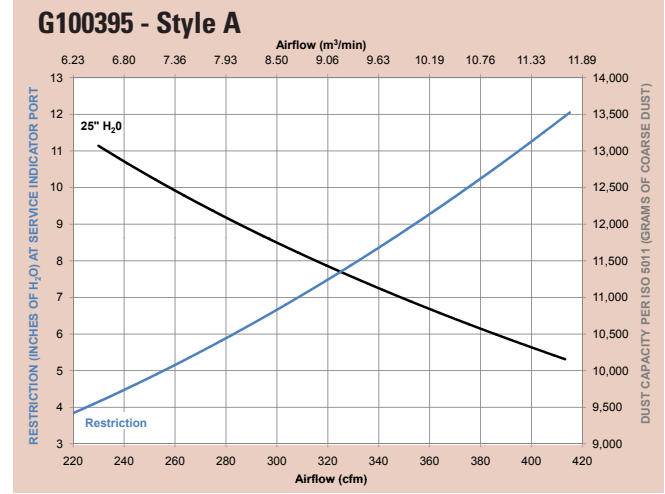
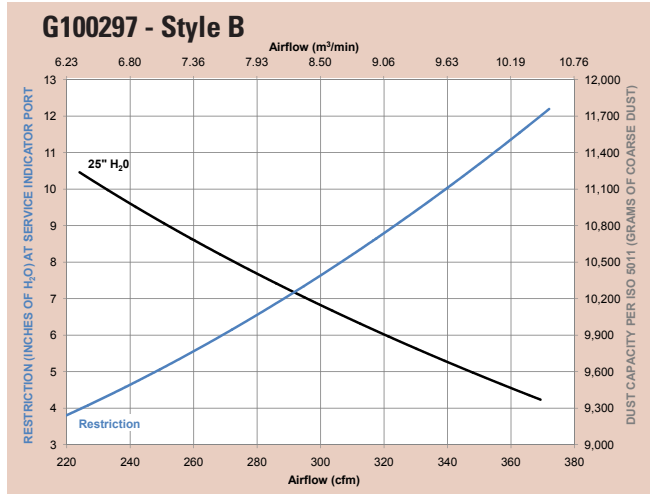




continued – FRG Air Cleaner Performance Curves (Restriction & Dust Capacity)

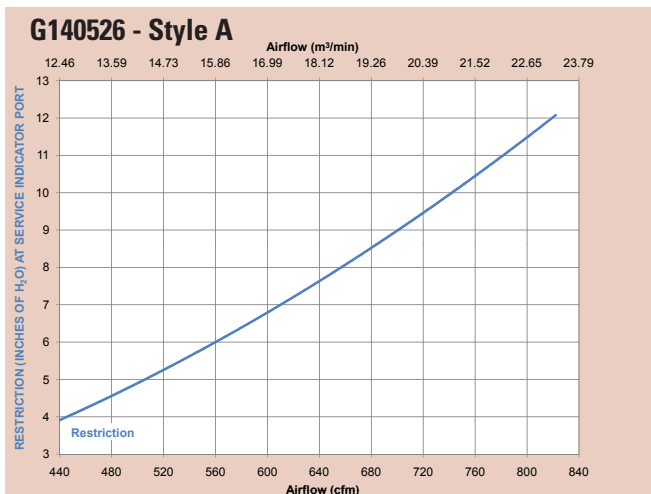
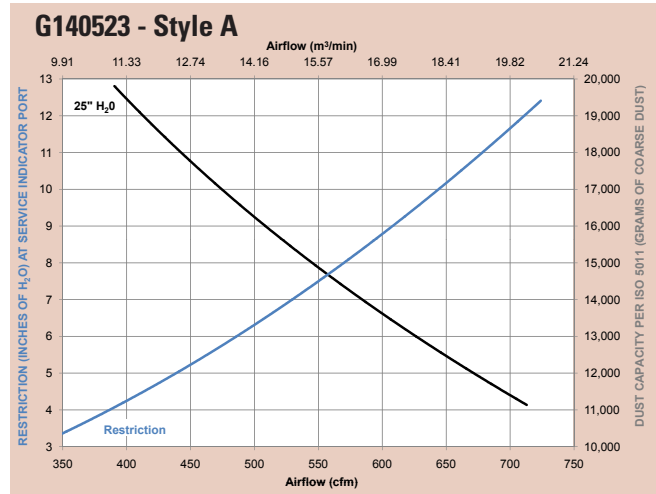
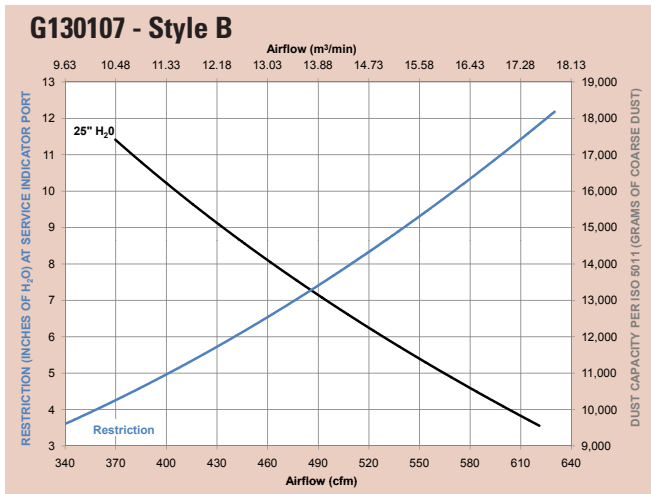
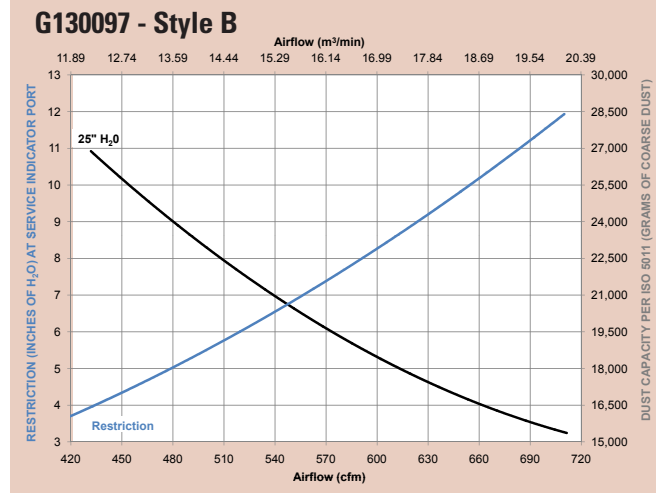
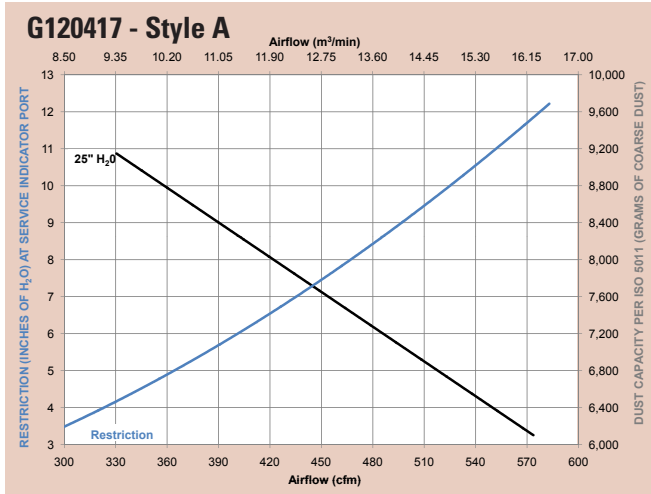


continued — FRG Air Cleaner Performance Curves (Restriction & Dust Capacity)

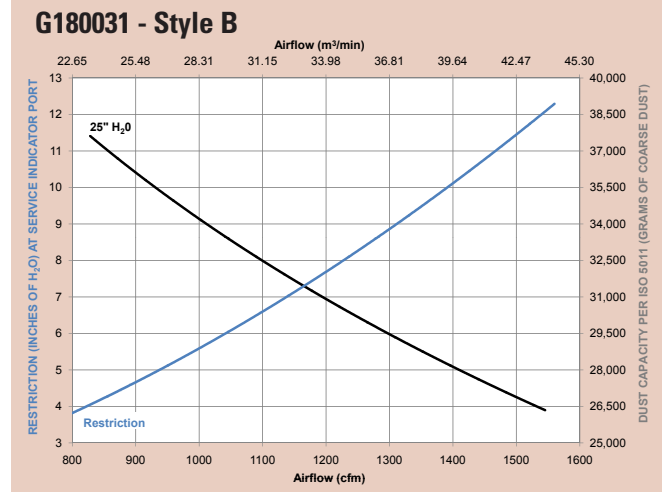
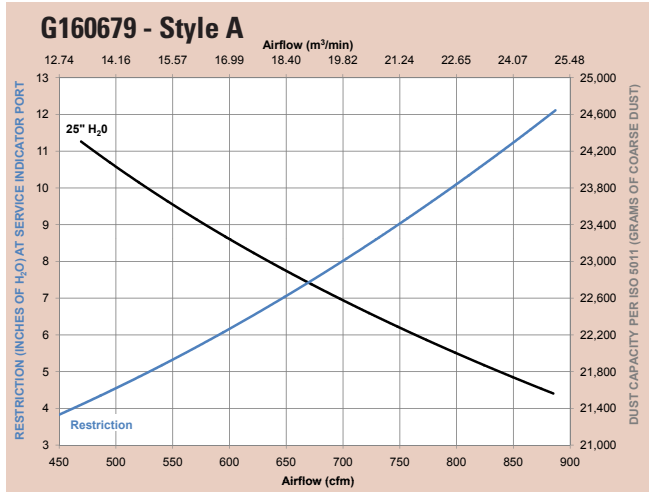




continued — FRG Air Cleaner Performance Curves (Restriction & Dust Capacity)

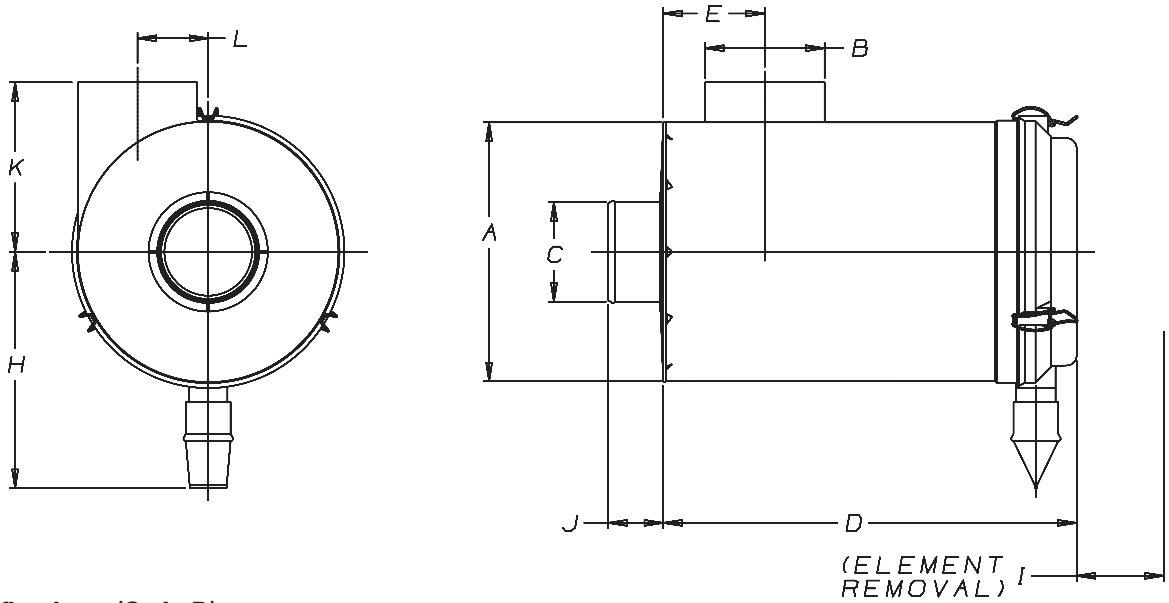


continued — FRG Air Cleaner Performance Curves (Restriction & Dust Capacity)



FRG Specification Illustrations

Style B — Latch Service Cover (Style A on next page)



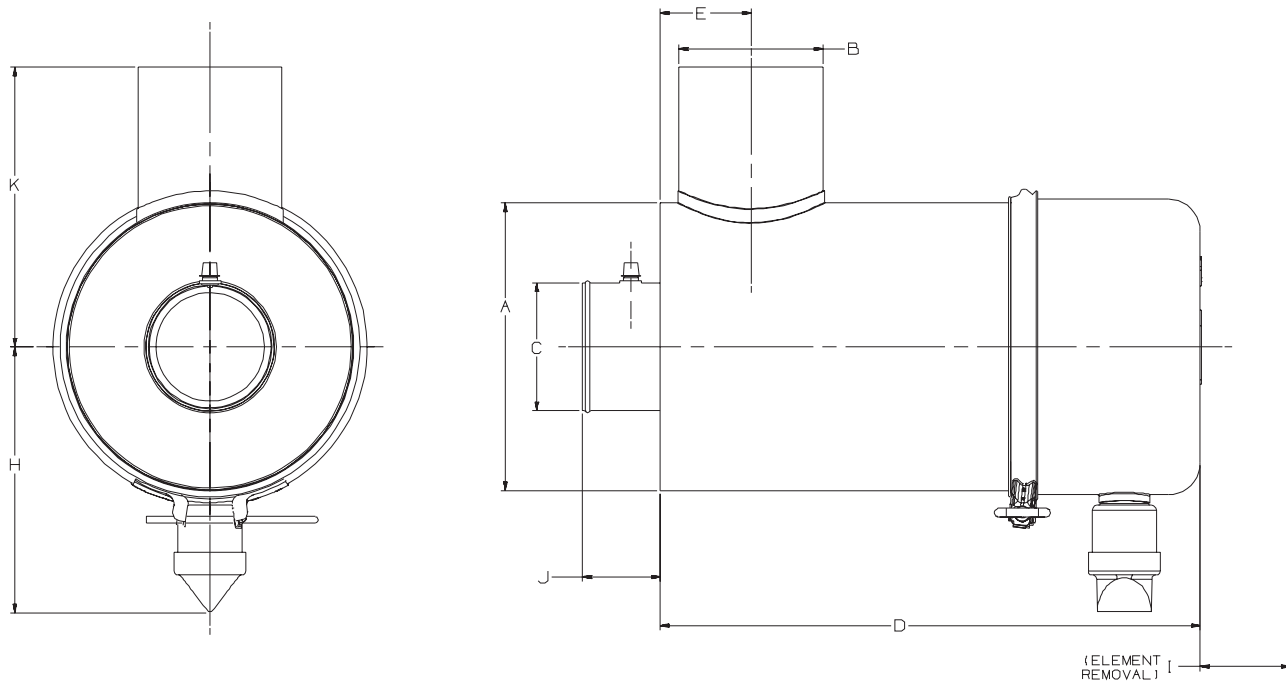
FRG Specifications (Style B)

Air Cleaner Models	Body Diameter (A)		Inlet Diameter (B)		Outlet Diameter (C)		Housing Length (D)		Inlet Location (E)		Center Line to Valve (H)		Service Clearance (I)		Outlet Length (J)		Inlet Length (K)		Offset Inlet Location (L)	
	in	mm	in	mm	in	mm	in	mm	in	mm	in	mm	in	mm	in	mm	in	mm	in	mm
STYLE B - LATCH SERVICE COVER																				
G100297	10.2	259	4.5	114	4.0	102	16.93	430	3.54	90	10.63	270	15.00	373	2.59	66	8.07	205	2.81	72
G110214	11.0	279	5.0	127	4.5	114	13.78	350	4.13	105	10.81	275	17.00	428	2.64	67	7.50	191	2.96	75
G110206	11.0	279	5.0	127	4.5	114	19.28	490	4.13	105	10.81	275	17.00	428	2.64	67	7.50	191	2.96	75
G130107	13.0	330	6.0	152	5.0	127	16.73	425	5.22	132	11.85	301	18.00	450	2.64	67	8.50	216	3.54	90
G130097	13.0	330	6.0	152	5.0	127	20.87	530	5.22	132	11.85	301	18.00	450	2.64	67	8.50	216	3.54	90
G150092	15.0	381	7.0	178	6.0	152	20.87	530	5.51	140	13.31	338	19.00	482	2.75	70	9.50	241	4.03	102
G180031	18.0	457	8.0	203	8.0	203	25.60	650	5.04	128	15.80	402	28.62	600	3.35	85	11.42	290	5.05	128



FRG Specification Illustrations

Style A — Bolt/Clamp Service Cover

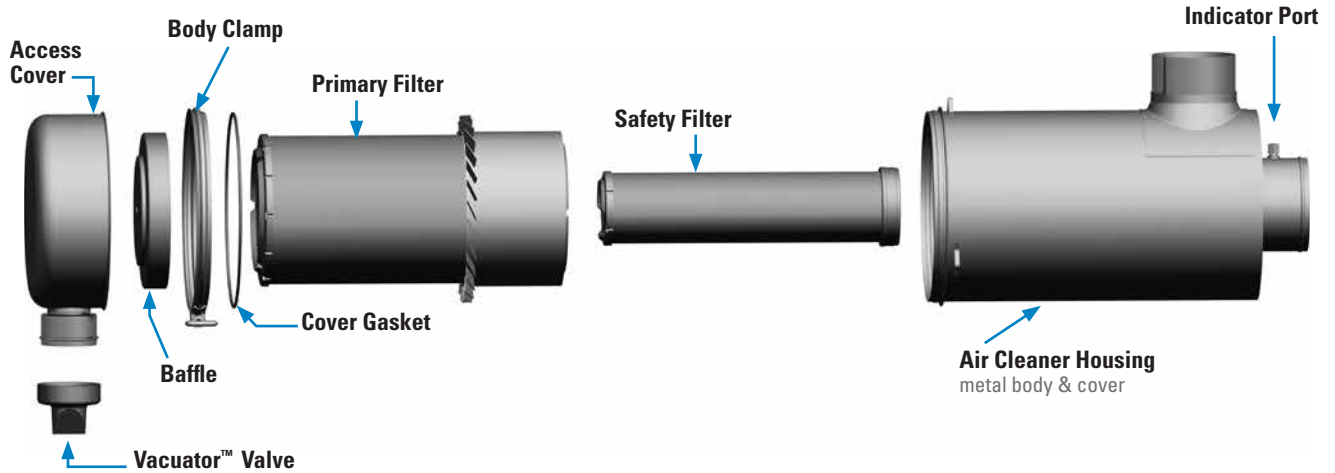


FRG Specifications (Style A)

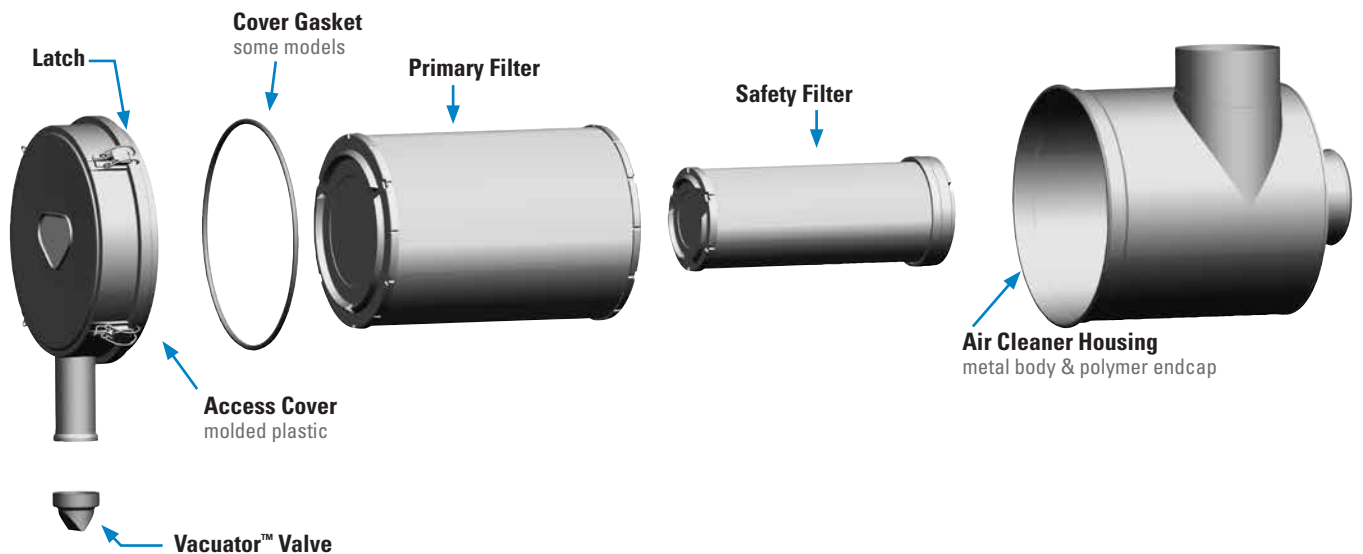
Air Cleaner Models	Body Diameter (A)		Inlet Diameter (B)		Outlet Diameter (C)		Housing Length (D)		Inlet Location (E)		Center Line to Valve (H)		Service Clearance (I)		Outlet Length (J)		Inlet Length (K)	
	in	mm	in	mm	in	mm	in	mm	in	mm	in	mm	in	mm	in	mm	in	mm
STYLE A - BOLT/CLAMP SERVICE COVER																		
G052685	5.25	133	2.50	64	2.50	64	14.76	375	2.06	52	6.36	162	9.80	249	2.30	58	4.97	126
G052686	5.25	133	2.50	64	2.50	64	14.76	375	2.06	52	6.36	162	9.80	249	2.30	58	4.97	126
G065541	6.55	166	3.00	76	3.00	76	15.44	392	1.92	49	6.28	160	12.31	313	2.22	56	6.38	162
G065551	6.55	166	3.00	76	3.00	76	15.44	392	1.92	49	6.28	160	12.31	313	2.22	56	6.38	162
G080582	8.00	203	3.75	95	3.50	89	15.84	402	2.38	60	7.96	202	12.44	316	2.46	62	7.25	184
G080585	8.00	203	3.75	95	3.50	89	15.84	402	2.38	60	7.96	202	12.44	316	2.46	62	7.25	184
G090245	9.00	229	4.50	114	4.00	102	16.90	429	2.84	72	8.27	210	16.90	429	2.43	62	8.75	222
G090250	9.00	229	4.50	114	4.00	102	16.90	429	2.84	72	8.27	210	16.90	429	2.43	62	8.75	222
G100395	10.19	259	4.50	114	5.00	127	21.03	534	3.38	86	8.96	228	13.06	332	2.10	53	8.09	205
G100398	10.19	259	4.50	114	5.00	127	21.03	534	3.38	86	8.96	228	13.06	332	2.10	53	8.09	205
G120415	12.00	305	5.00	127	5.00	127	19.06	484	4.69	119	9.62	244	9.10	231	2.28	58	8.92	227
G120417	12.00	305	5.00	127	5.00	127	19.06	484	4.69	119	9.62	244	9.10	231	2.28	58	8.92	227
G140523	14.00	356	6.00	152	6.00	152	22.06	560	5.28	134	10.72	272	12.10	307	2.26	57	10.12	257
G140526	14.00	356	6.00	152	6.00	152	22.06	560	5.28	134	10.72	272	12.10	307	2.26	57	10.12	257
G160679	16.00	406	7.00	178	7.00	178	24.04	611	5.76	146	11.72	298	14.10	358	2.29	58	12.00	305

FRG Service Parts

Style A — Bolt/Clamp Service Cover



Style B — Latch Service Cover



FRG Service Parts & Accessories

G052685 FRG Style A

Clamp	P002904
Cover	P120279
Elbow, 45°	P105543
Elbow, 90°	P105531
Filter, primary	P6000433
Filter, safety	P6000473
Informer™ indicator 25" H ₂ O	X002277
Inlet hood, plastic	H001378
Mounting band	P0023482
Mounting bands, metal	P002348
Outlet band clamp	P148339
Vacuator™ Valve	P158914

G052686 FRG Style A

Clamp	P002904
Cover	P120279
Elbow, 45°	P105543
Elbow, 90°	P105531
Filter, primary	P6000433
Filter, safety (optional)	P600047
Informer™ indicator 25" H ₂ O	X002277
Inlet hood, plastic	H001378
Mounting band	P0023482
Outlet band clamp	P148339
Vacuator™ Valve	P158914

SERVICE PARTS NOTES:

- 2 = Two required for proper installation
- 3 = Shipped with air cleaner initially
- 8 = Cover assembly includes latches but no Vacuator™ Valve
- Donaldson Blue™ = High Efficiency, Extended Service

**G065541 FRG Style A**

Clamp	P002940
Cover	P522133
Elbow, 45°	P105544
Elbow, 90°	P105532
Elbow, 90° reducing	P123462
Filter, primary	P5492713
Filter, safety	P5492773
Hump hose	P105608
Informer™ indicator 25" H ₂ O	X002277
Inlet hood, plastic	H001379
Mounting band	P0071912
Outlet band clamp	P148341
Vacuator™ Valve	P158914

G065551 FRG Style A

Clamp	P002940
Cover	P522133
Elbow, 45°	P105544
Elbow, 90°	P105532
Elbow, 90° reducing	P123462
Filter, primary	P5492713
Filter, safety (optional)	P549277
Hump hose	P105608
Informer™ indicator 25" H ₂ O	X002277
Inlet hood, plastic	H001379
Mounting band	P0071912
Outlet band clamp	P148341
Vacuator™ Valve	P158914

G080582 FRG Style A

Clamp	P003951
Cover	P600321
Elbow, 45°	P109331
Elbow, 90°	P114318
Filter, primary-Donaldson Blue™ ... DBA5223	
Filter, primary	P6014373
Filter, safety	P6014763
Hump hose	P114319
Informer™ indicator 25" H ₂ O	X002277
Inlet hood, plastic	H000466
Mounting band	P0043072
Outlet band clamp	P148342
Vacuator™ Valve	P158914

G080585 FRG Style A

Cover	P600321
Elbow, 45°	P109331
Elbow, 90°	P114318
Filter, primary-Donaldson Blue™ ... DBA5223	
Filter, primary	P6014373
Filter, safety (optional)	P601476
Hump hose	P114319
Informer™ indicator 25" H ₂ O	X002277
Inlet hood, plastic	H000466
Mounting band	P0043072
Outlet band clamp	P148342
Vacuator™ Valve	P158914

G090245 FRG Style A

Clamp	P102025
Cover	P600657
Elbow, 45°	P105545
Elbow, 90°	P105533
Elbow, 90° reducing	P121482
Filter, primary-Donaldson Blue™ ... DBA5224	
Filter, primary	P6012803
Filter, safety	P6012863
Hump hose	P105609
Informer™ indicator 25" H ₂ O	X002277
Inlet hood, metal	H000170
Inlet hood, plastic	H000468
Mounting band	P0040732
Outlet band clamp	P148343
Vacuator™ Valve	P158914

G090250 FRG Style A

Cover	P600657
Elbow, 45°	P105545
Elbow, 90°	P105533
Elbow, 90° reducing	P121482
Filter, primary-Donaldson Blue™ ... DBA5224	
Filter, primary	P6012803
Filter, safety (optional)	P601286
Hump hose	P105609
Informer™ indicator 25" H ₂ O	X002277
Inlet hood, metal	H000170
Inlet hood, plastic	H000468
Mounting band	P0040732
Outlet band clamp	P148343
Vacuator™ Valve	P158914

G100297 FRG Style B

Cover	P5382008
Elbow, 45°	P105545
Elbow, 90°	P105533
Elbow, 90° reducing	P121482
Filter, primary-Donaldson Blue™ ... DBA5228	
Filter, primary	P7810393
Filter, safety	P7776393
Gasket, cover	P537308
Hump hose	P105609
Informer™ indicator 25" H ₂ O	X002277
Inlet hood, plastic	H000467
Latch	P777366
Mounting band	P0040762
Outlet band clamp	P148343
Vacuator™ Valve	P776008

G100395 FRG Style A

Baffle, metal	P602211
Clamp	P106071
Dust cup/cover	P103827
Elbow, 45°	P109021
Elbow, 90°	P107844
Elbow, 90° reducing	P143895
Filter, primary-Donaldson Blue™ ... DBA5222	
Filter, primary	P6017903
Filter, safety (optional)	P7776393
Hump hose	P105610
Informer™ indicator 25" H ₂ O	X002277
Inlet hood, metal	H000170
Inlet hood, plastic	H000468
Mounting band	P0040762
O-ring	P101401
Outlet band clamp	P148345
Vacuator™ Valve	P103198

G100398 FRG Style A

Baffle, metal	P602211
Clamp	P106071
Dust cup/cover	P103827
Elbow, 45°	P109021
Elbow, 90°	P107844
Elbow, 90° reducing	P143895
Filter, primary-Donaldson Blue™ ... DBA5222	
Filter, primary	P6017903
Filter, safety (optional)	P777639
Hump hose	P105610
Informer™ indicator 25" H ₂ O	X002277
Inlet hood, metal	H000170
Inlet hood, plastic	H000468
Mounting band	P0040762
Mounting bands, metal	P004076
O-ring	P101401
Outlet band clamp	P148345
Vacuator™ Valve	P103198

G110206 FRG Style B

Cover	P5384528
Elbow, 45°	P114316
Elbow, 90°	P113733
Filter, primary-Donaldson Blue™ ... DBA5105	
Filter, primary - ES & HE	EAF5105
Filter, primary - SM	P5329663
Filter, safety	P5337813
Gasket, cover	P526676
Hump hose	P114317
Informer™ indicator 25" H ₂ O	X002277
Inlet hood, metal	H000165
Inlet hood, plastic	H000469
Latch	P536439
Mounting band	P0040792
Outlet band clamp	P148344
Vacuator™ Valve	P158914

G110214 FRG Style B

Cover	P5384528
Elbow, 45°	P114316
Elbow, 90°	P113733
Filter, primary-Donaldson Blue™ ... DBA5230	
Filter, primary	P5364573
Filter, safety	P5364923
Gasket, cover	P526676
Hump hose	P114317
Informer™ indicator 25" H ₂ O	X002277
Inlet hood, metal	H000170
Inlet hood, plastic	H000468
Latch	P536439
Mounting band	P0040792
Outlet band clamp	P148344
Vacuator™ Valve	P158914



G120415 FRG Style A

Baffle, metal.....	P106329
Clamp.....	P121067
Dust cup/cover.....	P109296
Elbow, 45°.....	P109021
Elbow, 90°.....	P107844
Elbow, 90° reducing.....	P143895
Filter, primary-Donaldson Blue™... DBA5231	
Filter, primary.....	P6017673
Filter, safety.....	P6017743
Hump hose.....	P105610
Informer™ indicator 25" H ₂ O.....	X002277
Inlet hood, metal.....	H000165
Inlet hood, plastic.....	H000469
Mounting band.....	H0003492
O-ring.....	P017804
Outlet band clamp.....	P148345
Vacuator™ Valve.....	P103198

G120417 FRG Style A

Baffle, metal.....	P106329
Clamp.....	P121067
Dust cup/cover.....	P109296
Elbow, 45°.....	P109021
Elbow, 90°.....	P107844
Elbow, 90° reducing.....	P143895
Filter, primary-Donaldson Blue™... DBA5231	
Filter, primary.....	P6017673
Filter, safety (optional).....	P601774
Hump hose.....	P105610
Informer™ indicator 25" H ₂ O.....	X002277
Inlet hood, metal.....	H000165
Inlet hood, plastic.....	H000469
Mounting band.....	H0003492
O-ring.....	P017804
Outlet band clamp.....	P148345
Vacuator™ Valve.....	P103198

G130097 FRG Style B

Cover.....	P5471398
Elbow, 45°.....	P109021
Elbow, 90°.....	P107844
Elbow, 90° reducing.....	P143895
Filter, primary-Donaldson Blue™... DBA5221	
Filter, primary.....	P5378763
Filter, safety.....	P5378773
Gasket, cover.....	P537699
Hump hose.....	P105610
Informer™ indicator 25" H ₂ O.....	X002277
Inlet hood, metal.....	H000165
Inlet hood, plastic.....	H000469
Latch.....	P776033
Mounting band.....	P0137222
Outlet band clamp.....	P148345
Vacuator™ Valve.....	P776008

G130107 FRG Style B

Cover.....	P5471398
Elbow, 45°.....	P109021
Elbow, 90°.....	P107844
Elbow, 90° reducing.....	P143895
Filter, primary-Donaldson Blue™... DBA5220	
Filter, primary.....	P5325033
Filter, safety.....	P5325043
Gasket, cover.....	P537699
Hump hose.....	P105610
Informer™ indicator 25" H ₂ O.....	X002277
Inlet hood, metal.....	H000165
Inlet hood, plastic.....	H000469
Latch.....	P776033
Mounting band.....	P0137222
Outlet band clamp.....	P148345
Vacuator™ Valve.....	P776008

G140523 FRG Style A

Baffle, metal.....	P106771
Clamp.....	P100866
Dust cup/cover.....	P109297
Elbow, 45°.....	P105547
Elbow, 90°.....	P105535
Filter, primary-Donaldson Blue™... DBA5220	
Filter, primary.....	P5325033
Filter, safety.....	P5325043
Hump hose.....	P105612
Informer™ indicator 25" H ₂ O.....	X002277
Inlet hood, metal.....	H000275
Inlet hood, plastic.....	H000606
Mounting band.....	H0003502
O-ring.....	P017335
Outlet band clamp.....	P148347
Vacuator™ Valve.....	P103198

G140526 FRG Style A

Baffle, metal.....	P106771
Clamp.....	P100866
Dust cup/cover.....	P109297
Elbow, 45°.....	P105547
Elbow, 90°.....	P105535
Filter, primary-Donaldson Blue™... DBA5220	
Filter, primary.....	P5325033
Filter, safety (optional).....	P532504
Hump hose.....	P105612
Informer™ indicator 25" H ₂ O.....	X002277
Inlet hood, metal.....	H000275
Inlet hood, plastic.....	H000606
Mounting band.....	H0003502
O-ring.....	P017335
Outlet band clamp.....	P148347
Vacuator™ Valve.....	P103198

G150092 FRG Style B

Cover.....	P7779208
Elbow, 45°.....	P105547
Elbow, 90°.....	P105535
Filter, primary-Donaldson Blue™... DBA5116	
Filter, primary.....	P7778683
Filter, safety.....	P7778693
Hump hose.....	P105612
Informer™ indicator 25" H ₂ O.....	X002277
Inlet hood, metal.....	H000339
Inlet hood, plastic.....	H000607
Latch.....	P776033
Mounting band.....	P0168452
Outlet band clamp.....	P148347
Vacuator™ Valve.....	P776008

G160679 FRG Style A

Baffle, metal.....	P106637
Clamp.....	P100789
Dust cup/cover.....	P106952
Elbow, 45°.....	P105548
Elbow, 90°.....	P105536
Filter, primary-Donaldson Blue™... DBA5229	
Filter, primary.....	P5495233
Filter, safety.....	P5495303
Hump hose.....	P105613
Informer™ indicator 25" H ₂ O.....	X002277
Inlet hood, metal.....	H000339
Inlet hood, plastic.....	H000607
Mounting band.....	H0003512
O-ring.....	P017336
Outlet band clamp.....	P148348
Vacuator™ Valve.....	P103198

G180031 FRG Style B

Cover.....	P783185
Elbow, 45°.....	P112606
Elbow, 90°.....	P112605
Filter, primary-Donaldson Blue™... DBA5156	
Filter, primary.....	P7810983
Filter, safety.....	P7811023
Hump hose.....	P112608
Informer™ indicator 25" H ₂ O.....	X002277
Inlet hood, plastic.....	H001053
Mounting band.....	H7700372
Outlet band clamp.....	P148349
Vacuator™ Valve.....	P105220

SERVICE PARTS NOTES:

- 2 = Two required for proper installation
- 3 = Shipped with air cleaner initially
- 7 = Included with each replacement filter
- 8 = Cover assembly includes latches, but no Vacuator Valve.

Donaldson Blue™ = High Efficiency, Extended Service



This servicing information is provided as a best practices guide. It is not intended to replace or supersede the service instructions supplied by your engine or vehicle manufacturer.

1 Check the Restriction

Replace the filter only when the restriction level has reached the maximum recommended by the engine or equipment manufacturer or on a regular service schedule.



2 Remove the Primary Filter and check the Vacuator™ Valve

Shut off the engine. Unfasten or unlatch the service cover.

Because of its RadialSeal™, the filter fits tightly over the outlet tube and there will be some initial resistance, similar to breaking the seal on a jar. Gently move the end of the filter back and forth to break the seal then rotate while pulling straight out. Avoid knocking the filter against the housing.

If your air cleaner is equipped with a Vacuator™ Valve, visually check and physically squeeze it.



Make sure the valve is flexible and not inverted, damaged or plugged. Replace it if damaged or if it looks like any of these images. A damaged or missing vac valve will disrupt the designed flow of air through the air cleaner.

3 Visually Check the Safety Filter and Clean Both Surfaces of the Outlet Tube

If your air cleaner has a safety filter, visually check the safety filter in place for signs of damage. Do not remove the safety filter unless it is damaged or due for replacement. Also verify that the safety filter is properly seated in the housing.

The safety filter should be replaced every three primary filter changes. Use a clean damp cloth to wipe both the filter sealing surface and the inside of the outlet tube. Ensure that the outlet tube sealing area is undamaged.

Contaminant on the sealing surface could hinder an effective seal and cause leakage. If the safety filter is to be replaced, avoid leaving the outlet tube exposed to the air.

If there is to be a delay in installing the new safety filter, cover the air cleaner outlet tube to avoid admitting any dust.



4 Inspect the Old Filter

Inspect the old filter for any signs of leaks. A streak of dust on the clean side of the filter is a telltale sign. Eliminate any source of air leaks before installing the new primary filter.



5 Inspect the New Filter

Inspect the new filter for any damage that may have occurred through mishandling. NEVER install a damaged filter. Visually check the inside of the open end, which is the sealing area.

Do not wipe the filter RadialSeal™ area as the new Donaldson RadialSeal filter may have a dry lubricant on the seal to aid installation.



6 Insert the New Filter

First, if you're servicing the safety filter at this change-out, seat it properly into position before installing the primary filter. Insert new filters carefully. Seat the primary filter by hand, making certain it is inserted completely into the air cleaner housing. To complete a tight seal, apply pressure by hand at the outer rim of the filter, not the flexible center.

No cover pressure is required to hold the seal in place and one should NEVER use the service cover to apply pressure. This could damage the housing and fasteners and void the warranty. If the service cover presses against the filter before the cover is fully in place, remove the cover. With cover off, push the filter farther into the air cleaner by hand and then the cover will go on with no extra force. Once the filter is in place, secure the service cover.



Continued on next page



7 Check Inlet Hoods and Pre-Cleaners

Check any intake hoods and pre-cleaner devices during maintenance routines.

A missing inlet hood will significantly shorten filter life. If your unit had a hood or pre-cleaner originally, make sure you replace it. Check openings and tubes on pre-cleaners to make sure they are not plugged. Replace any units that are damaged. Damaged or dented units will not operate properly.



8 Check Connectors for Tight Fit

Make sure service indicators are reset and in proper working order.

Check that all mounting bands, clamps, bolts, and connections in the entire air cleaner system are tight.

Check for holes in piping, and repair or replace as needed.

Any leaks in the intake piping will admit dust directly to the engine.

