

Save Maintenance Time & Costs

Convert Older SRG Housings to new SSG Housing Style!



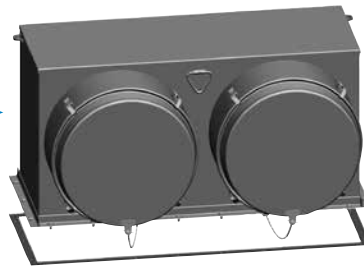
Replacing an older SRG housing with the new SSG housing allows you to simplify your routine filter service — no more separate gaskets at each filter change or removing a bolted on cover. SSG filters have RadialSeal™ end caps that provide a more reliable, consistent seal. Choose from an upper assembly conversion kit or you may want to install a complete new housing if your current SRG assembly needs repair or is reaching the end of its useful life.



SRG29 Housing



Upper Body Conversion Kit



SSG29 Housing



Kit Order Information

SRG Housing Item No.	SRG to SSG Kit* Kit No.	SSG Housing Item No.
G200008	X009702	G200087
G200013	X009701	G200086
G290000	X009230	G290057
G290023	X009230	G290052
G290012	X009231	G290053

* The finish on the replacement kit upper assembly is a white, powdered-coated paint. Installation instructions are included with the kit.

Other Changes That Can Save You Time and \$\$ After Converting to an SSG!

Upgrade to Donaldson Blue™ Filters

Donaldson Blue, high efficiency filters are available for the SSG product line. These filters have Donaldson's advanced Ultra-Web® Filtration Technology to protect your engines from submicron and mixed contaminant.



Install Dust Dumpa

Dust Dumpa is a direct replacement to our dust cups. You can greatly reduce, if not eliminate, the routine step of emptying the dust cup — two models available X006561 [left] and X006562 [right].





SRG Donaclone Protects the Largest Engines For Simpler Service, Convert Your Old SRG to an SSG Style!

Upgrade old SRG housings two ways: upgrade kit or a new SSG air cleaner

Applications

- Allows 1700 to 4080 cfm airflow throughput per air cleaner — use two air cleaners to double airflow throughput
- Designed for large, high horsepower, off-road equipment
- For large engines operating in severe dust environments

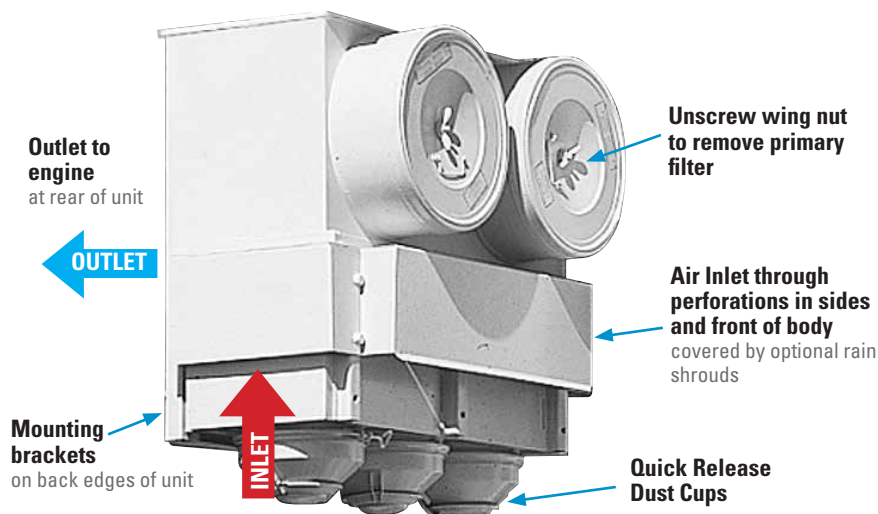
Air Cleaner Features

- Single outlet: SRG20 (1 filter)
Dual outlet: SRG29 (2 filters)
- Very reliable. Only one critical filter seal. No moving parts.
- Built-in Donaclone™ pre-cleaning tubes separate up to 97% of incoming dust to dust cup before it reaches the filter
- SRG air cleaners are finished with a red oxide primer, ready to be painted to match your equipment
- Dust cup options:
 - Dust Cup Kit with Dust Dumpa
 - Quick-release, for manual dumping (shipped with SRG initially)
 - Vacuator™ Valve, for automatic dumping (optional replacement style)
- Vertical mounting
- Perforated inlets on all models
- Heavy metal rain shrouds available optionally
- Taps for filter service indicators on all models
- Optional Dust Dumpa to simplify dust cup maintenance.

A huge double-unit SRG29 engine air cleaner, protects this haul truck under severely dusty operating conditions. The SRG29 has three dust cups on the bottom of the unit.



This SRG20 (single outlet style) with rain shroud is easy to service because the access cover, which is out front, is attached to the filter. Simply unscrew the wing nut and pull the filter out horizontally. Inside, a safety filter protects the air inlet during filter service.



STOP!

The SRG air cleaner models will be phased out over time and replaced with our new SSG air cleaners that have design improvements over this style.

Upgrade from SRG housings to new SSG!

SRG Model	SSG Model
G200008	G200087
G200013	G200086
G290000	G290057
G290023	G290052
G290012	G290053

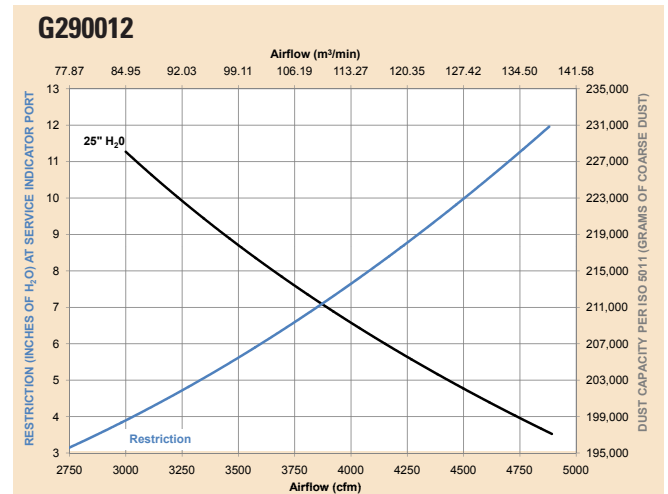
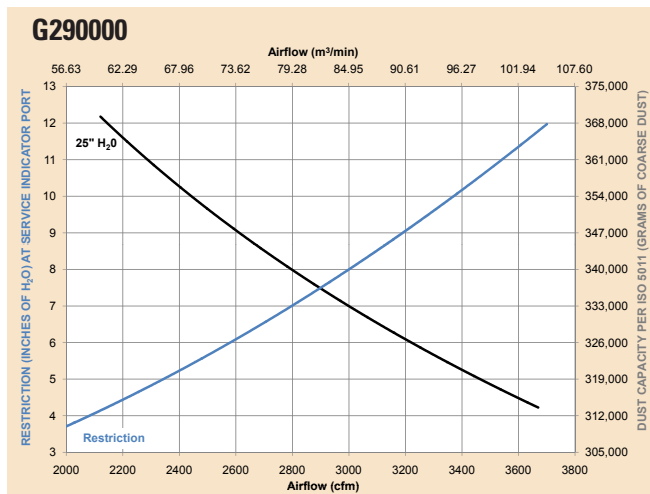
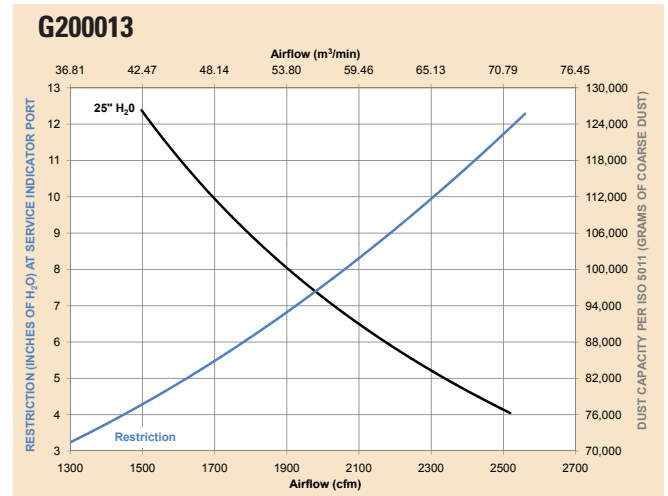
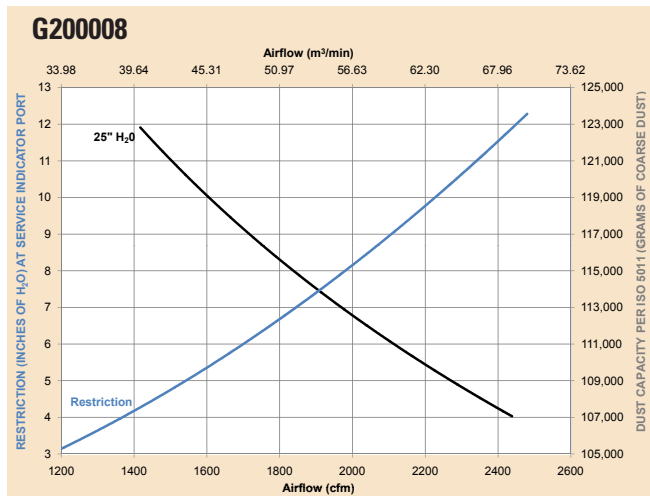
Initial Airflow Restriction

CFM @ "H ₂ O 6"	"H ₂ O 8"	Air Cleaner Model
1700	1980	G200008
1780	2060	G200013
2580	3000	G290000
3340	3800	G290023
3600	4080	G290012

When Selecting an Air Cleaner . . .

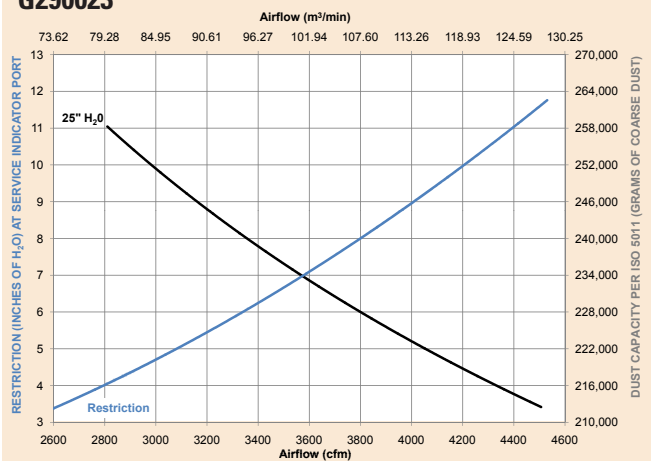
Determine the airflow requirements of your engine, then find the corresponding cfm airflow in the table at left. The restriction numbers (shown in inches of water) indicate the approximate initial restriction of each model air cleaner at that cfm. If there are two air cleaner models that fit your parameters, choosing the one with the lower restriction will provide longer filter service life. When calculating total initial restriction of the entire air intake system, include the restriction caused by ducting, elbows, and pre-cleaners.

SRG Air Cleaner Performance Curves (Restriction & Dust Capacity)

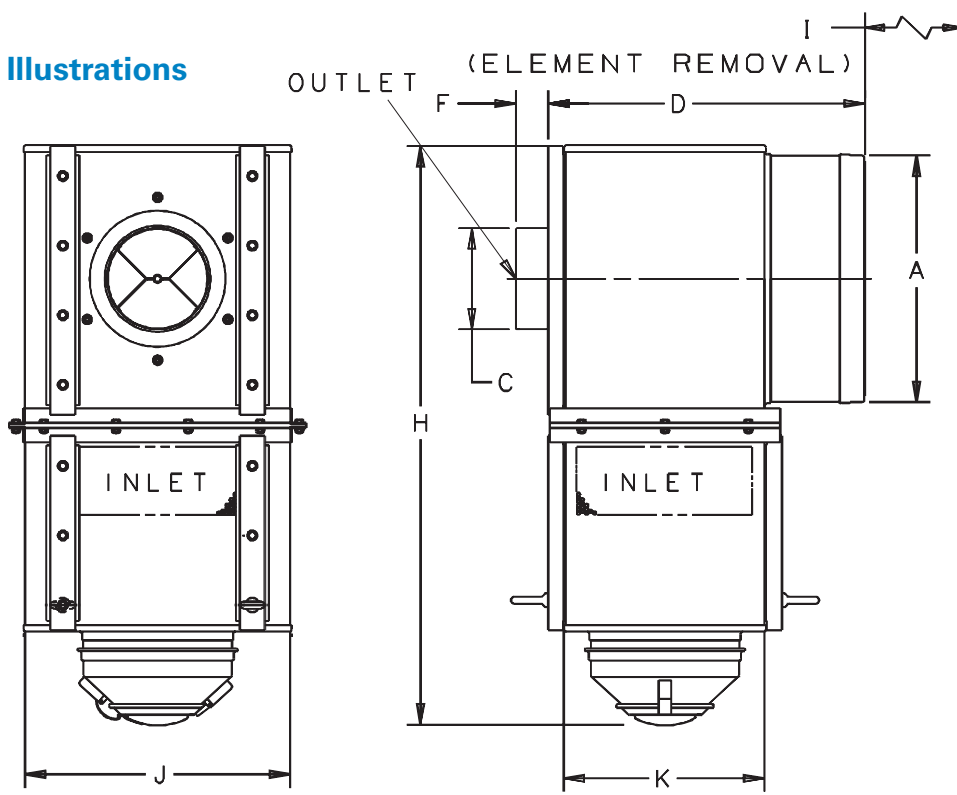




G290023



SRG Specification Illustrations



SRG Specifications

Air Cleaner Models	Body Diameter (A)		Outlet Diameter (C)		Length (D)		Outlet Length (F)		(H)		Service Clearance (I)		Width (J)		Depth (K)		Service Indicator Tap	Weight	
	in	mm	in	mm	in	mm	in	mm	in	mm	in	mm	in	mm	in	mm		lbs	kg
SINGLE OUTLET MODELS																			
G200008	19.50	495	8.00	203	25.03	636	2.54	65	46.13	1172	23.75	603	21.00	533	15.75	400	Yes	225	102
G200013	19.50	495	10.00	254	25.03	636	2.54	65	46.13	1172	23.75	603	21.00	533	15.75	400	Yes	200	91
DUAL OUTLET MODELS																			
G290000	19.50	495	8.00	203	25.03	636	2.54	65	45.28	1150	23.75	603	43.00	1092	15.75	400	Yes	340	154
G290012	19.50	495	10.00	254	25.03	636	2.54	65	45.28	1150	23.75	603	43.00	1092	15.75	400	Yes	340	154
G290023	19.50	495	8.00	203	25.03	636	2.54	65	45.28	1150	23.75	603	43.00	1092	15.75	400	Yes	340	154

SRG20 Service Parts

Primary Filter Choices

G200008

- Filter, primary - SM P181038
- Filter, primary-Donaldson Blue™ ... DBA5038
- Filter, primary P1820383

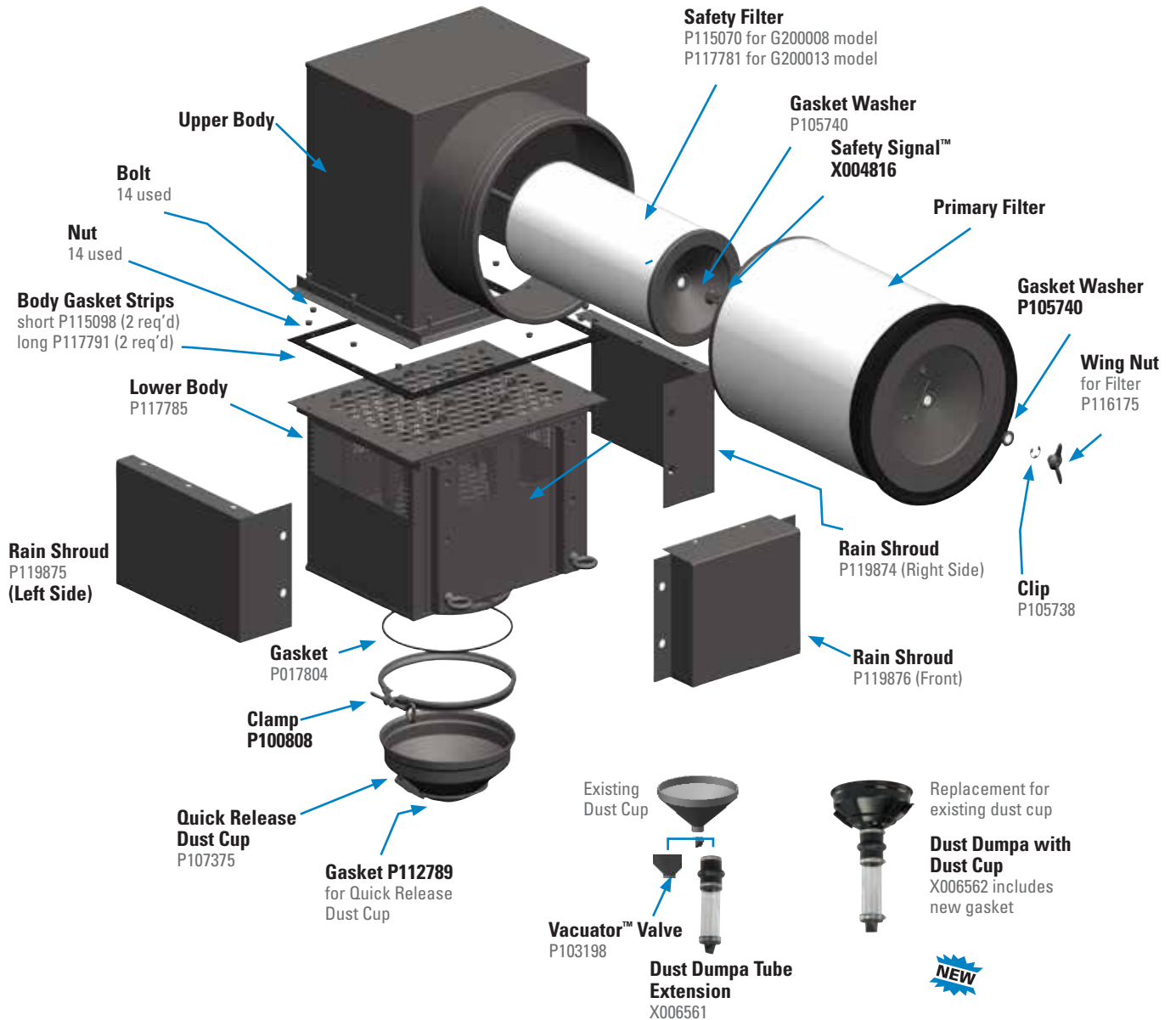
G200013

- Filter, primary - SM P181040
- Filter, primary-Donaldson Blue™ ... DBA5040
- Filter, primary P182040 3

NOTES:

3 = Shipped with air cleaner initially

SM = Scheduled Maintenance
Donaldson Blue™ = High Efficiency, Extended Service



Accessory Recommendations

Air Cleaner Model	Outlet Band Clamp	Hump-hose Connector	Elbows		Restriction Indicator
			45°	90°	
G200008	P148349	P112608	P112606	P112605	X002277
G200013	P148350	P111414	P114313	P114314	X002277
G290000	P148349	P112608	P112606	P112605	X002277
G290012	P148350	P111414	P114313	P114314	X002277
G290023	P148349	P112608	P112606	P112605	X002277



SRG29 Service Parts

Primary Filter Choices

G290000 & G290023

- Filter, primary - SM P181038
- Filter, primary-Donaldson Blue™... DBA5038
- Filter, primary P1820383

G290012 Filters

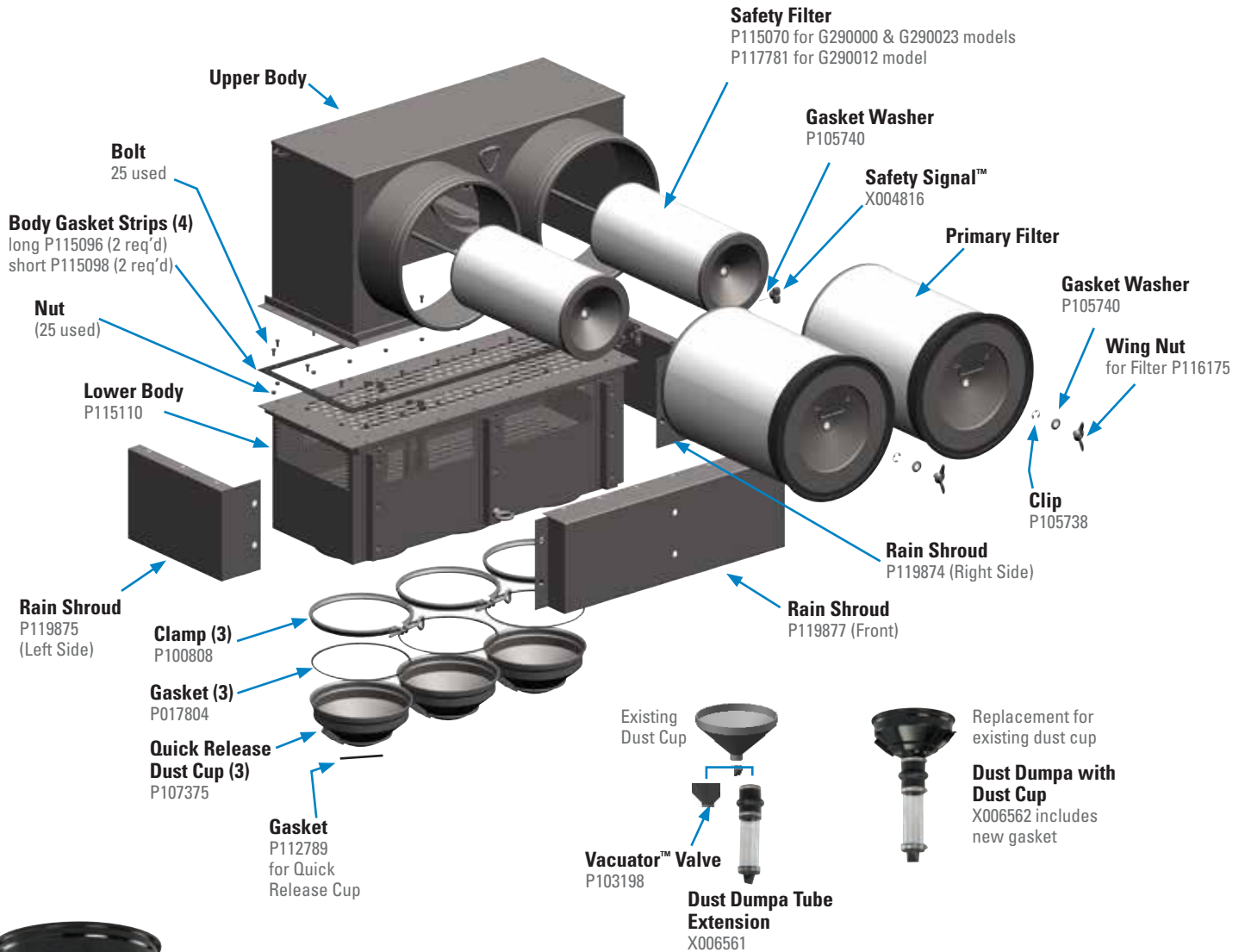
- Filter, primary - SM P181040
- Filter, primary-Donaldson Blue™... DBA5040
- Filter, primary P1820403

NOTES:

3 = Shipped with air cleaner initially

SM = Scheduled Maintenance

Donaldson Blue™ = High Efficiency, Extended Service



Part No.
X006562

Dust Dumpa Tube Extension

How it works: When installed on the dust cups on the lower assembly, the rubber connector vibrates during normal vehicle operation and gravity expels the pre-cleaned dust.

- Improves dust evacuation from the air cleaner
- Clear tube allows for visual inspection of dust collection

- Reduces air cleaner inspection time
- Ships fully assembled
- Proper conversion requires a Dust Dumpa tube extension for every dust cup

Order X006562 if your housing has a quick release style dust cup. Order X006561 if regular dust cup.

For more information, see Accessories section.

This servicing information is provided as a best practices guide. It is not intended to replace or supersede the service instructions supplied by your engine or vehicle manufacturer.

SERVICE TRAINING VIDEOS



<http://www.youtube.com/user/donaldsonengine>

Donaldson Service Training Videos are on YouTube. Scan the QR code or go to <http://www.youtube.com/user/donaldsonengine> to watch videos on how to service Donaldson Air Cleaners, like the SRG.

1 Check the Restriction

Replace the filter only when the restriction level has reached the maximum recommended by the engine or equipment manufacturer.



2 Empty the Dust Cup and Check the Vacuator™ Valves

Switch off the engine. The dust cup should be emptied when 2/3 full. Frequency of dust cup service varies with dust severity.

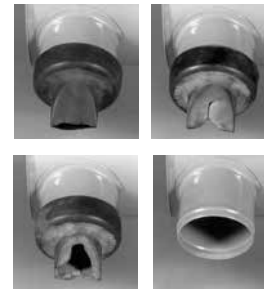
On dust cups with a Vacuator Valve, dust cup service is minimal. Just check the Vacuator Valve to see that it is not inverted, damaged or plugged. If it is damaged or missing, replace it immediately.

Visually inspect gasket between dust cup and lower body — if worn or damaged, replace.

Tip: Save Service Time — Install Dust Dumpa on Vertical STG Air Cleaner Installations!



If your SRG Air Cleaner has a dust cup with a Vacuator Valve, replace it immediately if it is inverted or looks like any of the images below.



3 Inspect the Donaclone™ Pre-Cleaning Tubes

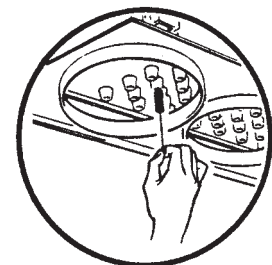
With the dust cup removed, check the tubes. Generally, the tubes are self-cleaning and need no service, but under unusual circumstances, plugging can occur. A visual inspection is usually adequate.

Any time the Donaclone tube lower body is removed, the body gaskets should be replaced. When reinstalling the dust cup, be sure it seals 360° around the air cleaner body.



View of Donaclone Tubes with Dust Cup removed.

If the tubes carry light dust, remove it with a stiff brush. If plugging with fibrous material is evident, remove the Strata™ or Donaclone section. Clean it with compressed air or water no hotter than 160 °F / 72 °C.



Continued on next page



4 Remove the Primary Filter and Visually Inspect the Safety Filter

Unlatch the service cover to access the filters.

Loosen the wing nut and remove the primary filter. The wing nut on the old filter should be held in place with a clip. Visually inspect the safety filter but do not remove the filter unless it is damaged or due for change-out.



5 Always Clean the Inside of the Filter Housing

Dirt left in the air cleaner housing can be harmful for your engine. Starting with the sealing surfaces, use a clean, damp cloth to wipe the inside surfaces clean. An improper gasket seal is one of the most common causes of engine contamination, so make sure that all hardened dirt ridges are completely removed.

Block the outlet tube of the air cleaner using a clean, dampened towel prior to proceeding with cleaning the inside of the housing to avoid contaminating the induction system.



6 Install the New Filters

The safety filter should be replaced every three primary filter changes or as denoted by the SafetySignal™ service indicator. When replacing the safety filter, install the new filter immediately or cover the inlet with a cloth so that dirt is not ingested.

Before installing the new filters, inspect them for shipping damage and gasket integrity. If a filter is damaged, do not install it. If the safety filter is being replaced, and a SafetySignal is used, secure it in place with a cotter (split) pin.

Secure the primary filter in place with the wing nut (hand tighten) using a new gasket washer. Use a new wing nut clip and reset the filter service indicator.



7 Inspect Air Cleaner System

Finally, inspect and tighten all air cleaner system connections. If there are holes or damage, replace immediately. Inspect all air ducting for worn spots or damage. Annual replacement of air cleaner system gaskets is recommended.