

# Turbine Series - 75900FV/751000FV

# FUEL

## Specifications: Diesel Applications

Height: 75900FV: 17.12" (43.47 cm)  
751000FV: 22.23" (56.47 cm)

Width: 15.06" (38.25 cm)

Depth: 7.96" (20.22 cm)

Weight: 75900FV: 20.2 lbs (9.2 kg)  
751000FV: 21.8 lbs (9.9 kg)

Ports: 1 5/16"-12 UN-2B (SAE 1926-1)  
2X Port Plugs Supplied  
2X 3/4" NPTF Adapters Supplied

Service Clearance (Top):  
75900FV: 5.0" (12.7 cm)  
751000FV: 10.0" (25.4 cm)

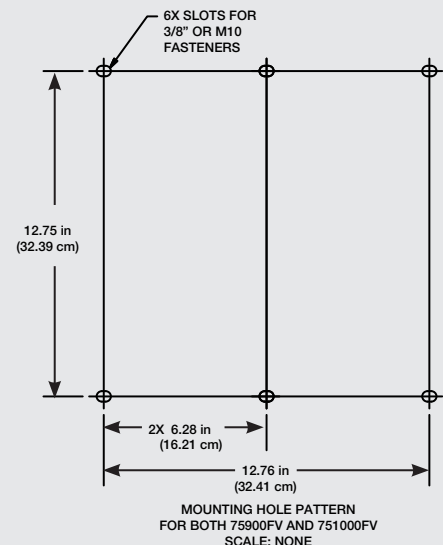
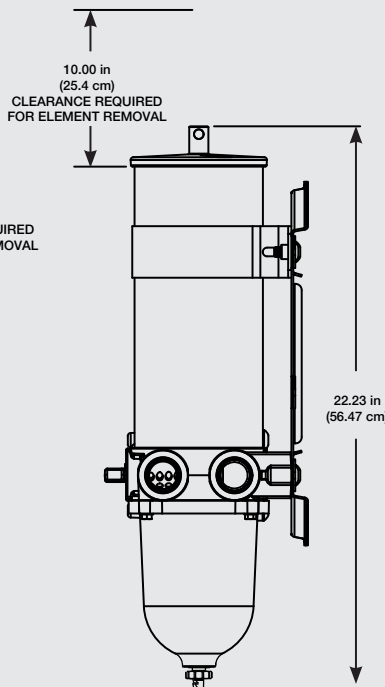
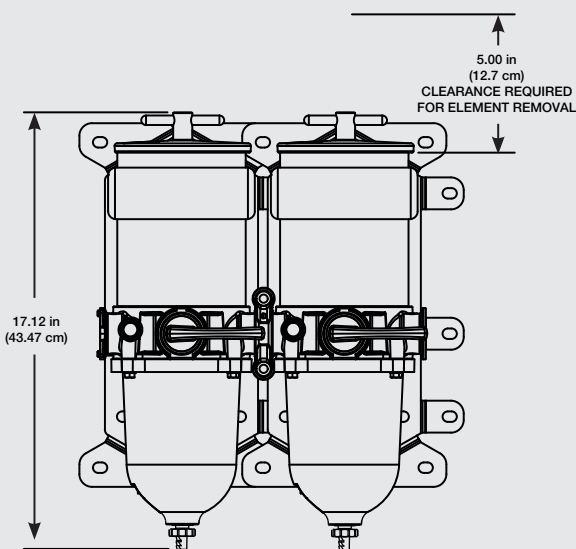
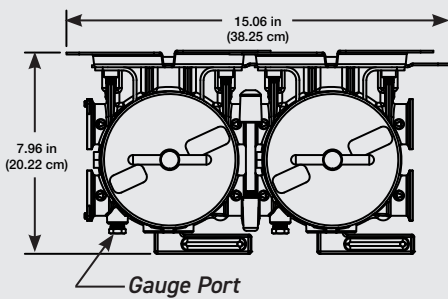
Vacuum Installation Recommended  
Maximum Head Pressure: 15 psi (1.03 bar)

Max Flow Rate: 75900FV: 180 gph (681 lph)  
751000FV: 360 gph (1362 lph)

## Create a Part Number

Housing Type	Turbine Model - Dual 90/180 GPH Flow Rate	Turbine Model - Dual 180/360 GPH Flow Rate	Filtration Rating 10 micron
	75900FV	751000FV	

## Dimensions:

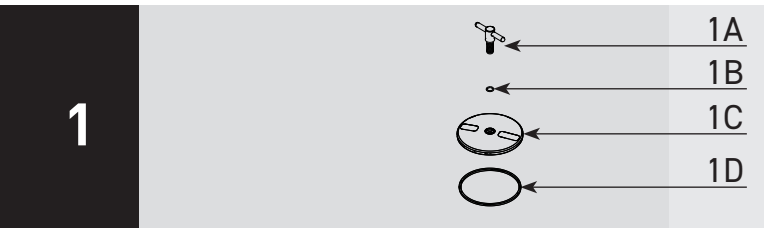


ASSEMBLY	DESCRIPTION
75900FV10	75900 Dual Turbine Assy., 10 micron Filter
751000FV10	751000 Dual Turbine Assy., 10 micron Filter

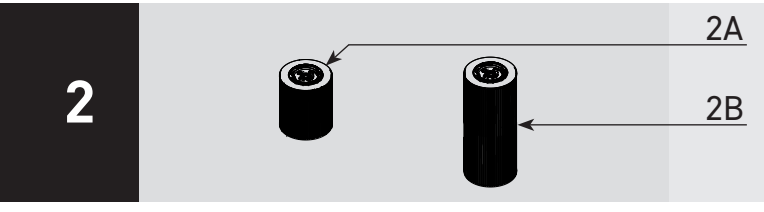


# PARTS

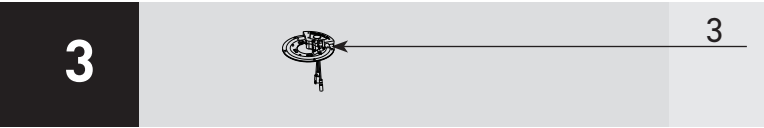
## Turbine - 75900FV/751000FV Series



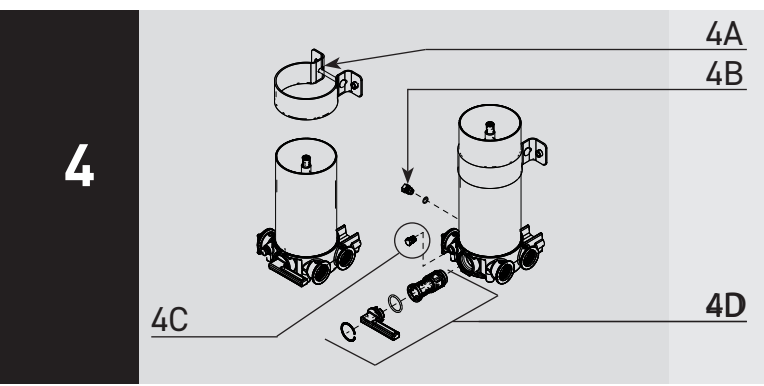
Part #	Description
1A	RK11-2076 T-handle/Lid Kit - Includes 1B, 1C & 1D
1B	T-handle O-ring - Included in 8A
1C	900FV/1000FV Lid
1D	Lid Gasket - Included in 8A



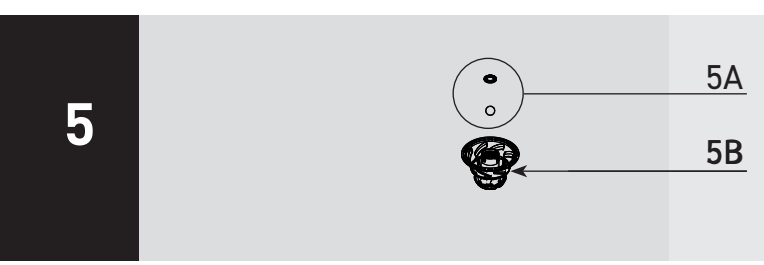
2A	2040V2 2040V10 2040V30	900FV Service Filter 2 micron - Includes 1B & 1D 900FV Service Filter 10 micron - Includes 1B & 1D 900FV Service Filter 30 micron - Includes 1B & 1D
2B	2020V2 2020V2LL 2020V10 2020V30	1000FV Service Filter 2 micron - Includes 1B & 1D 1000FV Service Filter 2 micron (Long Life) - Includes 1B & 1D 1000FV Service Filter 10 micron - Includes 1B & 1D 1000FV Service Filter 30 micron - Includes 1B & 1D



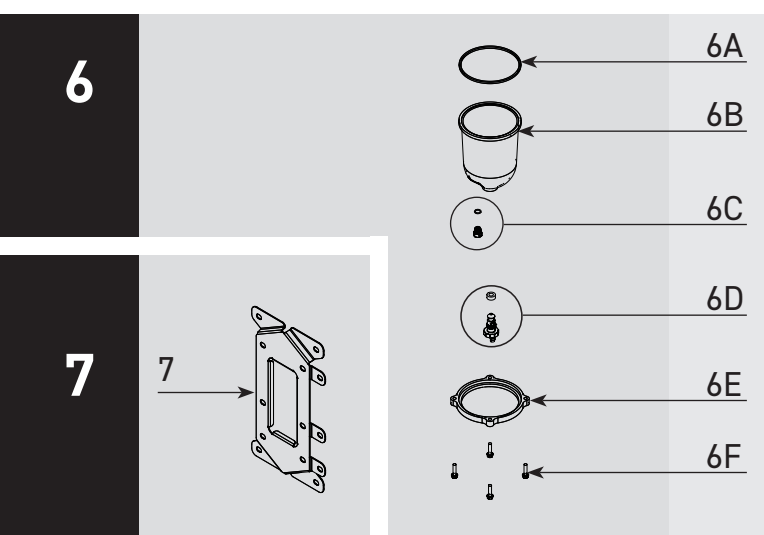
3	RK11-2016 RK11-2015	Heater Kit - 12 vdc, 325 watt - Includes 1B & 1D Recommended RK 11861 Heater Relay Kit Heater Kit - 24 vdc, 325 watt - Includes 1B & 1D Recommended RK 11862 Heater Relay Kit
---	------------------------	--



4A	RK11-2077-W	Bracket Kit - Includes Bracket, Bolt, Washer, and Nut
4B	RK 11-1679	Feed-thru Plug - O-ring Included in 8A
4C	RK11-2078	Vacuum Gauge Port Plug
4D	RK11-2079	Valve Rebuild Kit



5A		Checkball and Gasket - Included in 5B and 8A
5B	RK11-2080	Centrifuge/Baffle/Checkball/Gasket Kit - Includes 6A Checkball and Gasket - Included in 8A
6A		Bowl Gasket - Included in 8A
6B	RK11-2081	Bowl Kit - Includes 6A, 6C, 6D, 6E & 6F
6C	RK 20126	Bowl Plug (O-ring Included in 8A)
6D		Self-venting Drain (Gasket Included in 8A)
6E		Bowl Ring
6F	RK 11542	Cap Screw Bowl Fasteners (set of 4)
7	RK11-2083-01	Mounting Bracket Kit - Includes Bracket & 4 bolts



Accessories and Parts Available - Not Shown

8A	RK 11-1952	Complete Seal Service Kit - 900FV/1000FV Series Filters
8B	RK11-2085	900FV/1000FV Port Plug & Adapter Kit
8C	RK19671 RK19668 RK 19667	Stainless Steel T-handle with Vacuum Gauge Vacuum Gauge (30" Hg) - 1/4" NPT back or remote mount Compound Gauge - pressure (15 PSI ) and vacuum (30" Hg)
8D	RK 14329 RK 14321	Water Detection Module - 12 vdc Water Detection Module - 24 vdc
8E	RK30880E	WIF Sensor/Detection Kit - 1/2"-20 UNF
8F	RK11-1978	Checkball Spring Kit
8G	RKP1912 RKP1924	Primer Pump Kit - 12 vdc - Adds 3.25" (8.26 cm) to Height Primer Pump Kit - 24 vdc - Adds 3.25" (8.26 cm) to Height