

Diesel Spin-On - 140 Series

FUEL

Specifications:

Height: 5.91" (15.01 cm)
Width: 3.16" (8.03 cm)
Depth: 3.31" (8.4 cm)
Weight (Dry): 0.88 lbs (0.4 kg)
Fuel Flow Rate: 15 gph (57 lph)
Ports: 1/4-18 NPTF
Service Clearance: 2.0" (5.1 cm)

Create a Part Number

Mounting Head

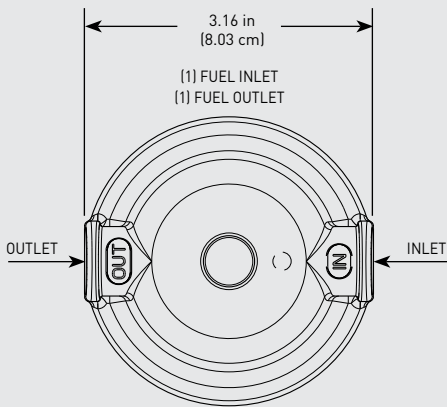
2 Port - Hard Pipe
 15 gph (57 lph)
 10 micron filtration

140R

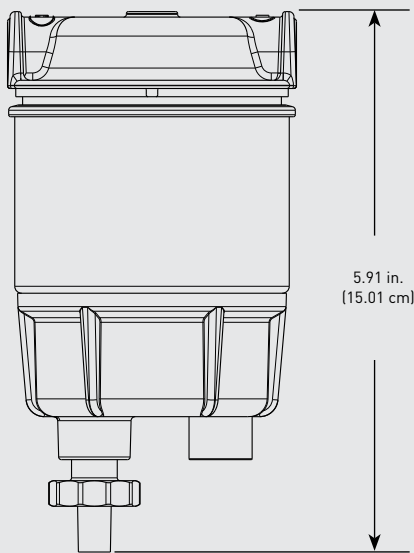
RACOR®

Dimensions:

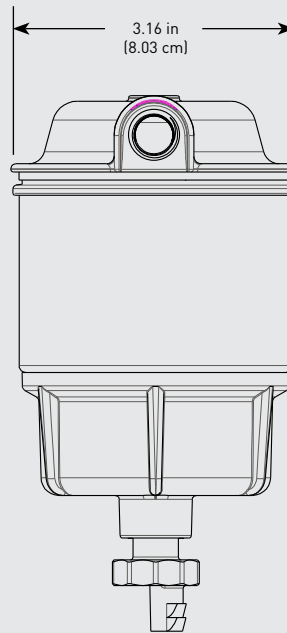
ASSEMBLIES	DESCRIPTION
140R	FF/WS, 15 gph Flow Rate, 10 Micron Filtration



140R Top



140R Front



140R Profile

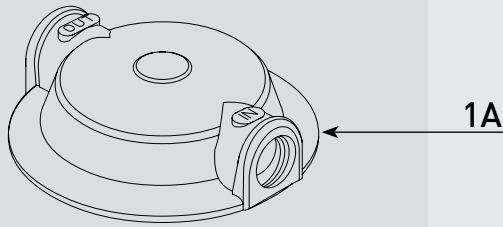


⚠ WARNING: The products described in this literature can expose you to chemicals including Diisononyl phthalate, Carbon black extract, which are known to the State of California to cause cancer. For more information go to www.P65Warnings.ca.gov.

PARTS

Diesel Spin-On - 140 Series

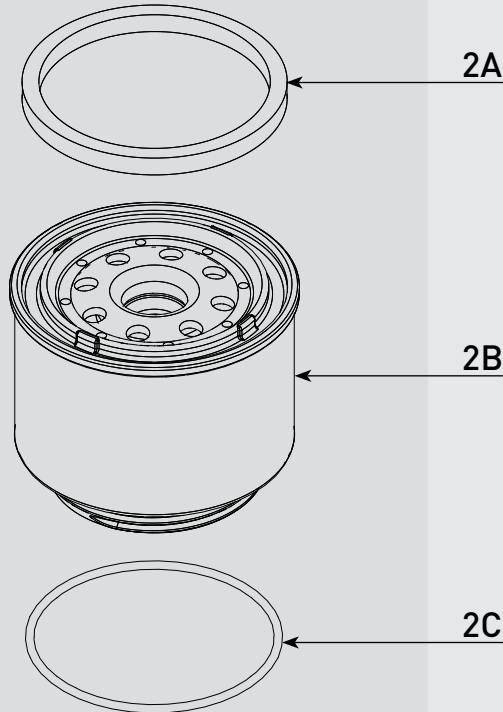
1



1A

Part #	Description
1A	140 Series Head Assembly
2A	Square Cut Gasket - <i>Included in 2B</i>
2B	R12S 140 Replacement Filter - 2 micron - <i>Includes 2A, 2C</i> R12T 140 Replacement Filter - 10 micron - <i>Includes 2A, 2C</i> R12P 140 Replacement Filter - 30 micron - <i>Includes 2A, 2C</i>
2C	Bowl O-ring - <i>Included in 2B & 3A</i>
3A	RK 10222 Replacement Clear Bowl Kit (W/O Probe Port) - <i>Includes 2C and 4A</i>

2



2A

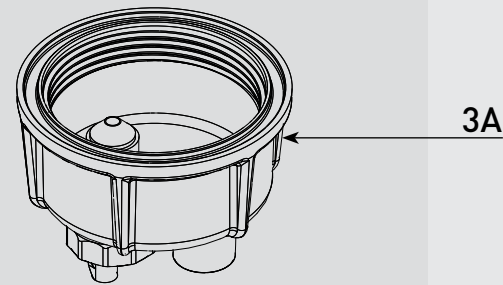
2B

2C

Additional Parts (not shown)

4A		Self-Venting Drain
4B	RK 10215	Replacement Clear Bowl Kit (Probe Port) - <i>Includes 2C, 4A, and 4C</i>
4C	RK 20126	Bowl WIF Port Plug Kit
4D	RK30880E	WIF Sensor/Detection Kit - 1/2" -20 UNF
	RK33802	Replacement WIF Probe (1/2" -20 SAE) - No Internal Resistor, 12/24V - <i>Requires Water Detection Amplifier</i> <i>See RSL7529 for available Probes, Sensors, and Amplifiers</i>
4E	RK 20726	Water Detection Module Kit - 12 or 24 vdc - <i>Includes Amplifier (Light and Buzzer) & RK 21069 (WIF Probe)</i> <i>See RSL7529 for available Probes, Sensors, and Amplifiers</i>
4F	RK 10226	Replacement Metal Bowl Kit - Includes 2C, Metal WIF Port Plug and Metal Drain Plug

3



3A

Online Link
Diesel Spin-On Product Selector



RSL0375_CUT_SpinOn_140-Series (04/18 Rev -)

Questions? Email: racortech@parker.com Phone: 800-344-3286 News: www.racornews.com